

**PLEASE CHECK WWW.MOLEX.COM FOR LATEST PART INFORMATION**

**Part Number:** [0879779001](#)  
**Status:** **Active**  
**Description:** 1.00mm Pitch Fully Buffered DIMM Socket, Vertical, Press-Fit, 240 Circuits, 1.8V Center Voltage Key, with Plastic Locating Peg and Press-Fit Metal Pins, with Black Latches, 0.38µm Gold (Au) Plating, Lead-Free

**Documents:**

[3D Model](#) [Application Specification AS-87746-001-001 \(PDF\)](#)  
[Drawing \(PDF\)](#) [RoHS Certificate of Compliance \(PDF\)](#)  
[Product Specification PS-87977-001-001 \(PDF\)](#)

**Agency Certification**

CSA LR19980  
 UL E29179

**General**

Product Family Memory Module Sockets  
 Series [87977](#)  
 Comments Solder Tail Length at 3.15mm  
 Component Type Socket  
 Electrical Model Yes  
 JEDEC Outline MO-256  
 Product Name FB DIMM  
 UPC 822350374200

**Physical**

Circuits (Loaded) 240  
 Durability (mating cycles max) 25  
 Entry Angle Vertical (Top Entry)  
 Flammability 94V-0  
 Housing Color Black  
 Keying to Mating Part Yes  
 Latch Color Black  
 Material - Metal Phosphor Bronze  
 Material - Plating Mating Gold  
 Material - Plating Termination Tin  
 Material - Resin High Temperature Thermoplastic  
 Net Weight 10.650/g  
 PC Tail Length 3.15mm  
 PCB Locator Yes  
 PCB Retention Yes  
 PCB Thickness - Recommended 3.30mm  
 Packaging Type Tray  
 Pitch - Mating Interface 1.00mm  
 Plating min - Mating 0.381µm  
 Plating min - Termination 0.381µm  
 Temperature Range - Operating -10°C to +85°C  
 Termination Interface: Style Through Hole - Compliant Pin

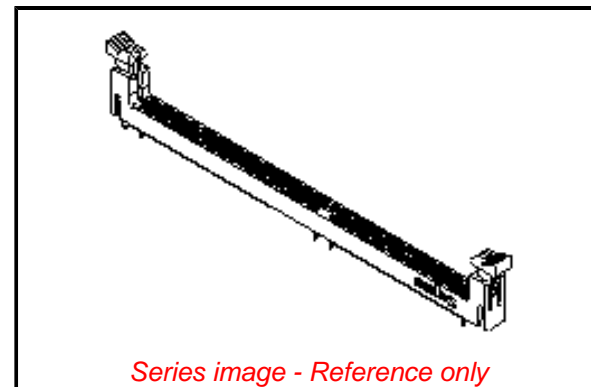
**Electrical**

Current - Maximum per Contact 1.0A  
 Voltage - Maximum 30V  
 Voltage Key 1.8V, Center

**Solder Process Data**

Lead-freeProcess Capability N/A

**Material Info**



*Series image - Reference only*

**EU ELV**

**Not Relevant**

**EU RoHS**

**Compliant**

**REACH SVHC**

Not Contained Per  
 -ED/01/2018 (15  
 January 2018)

**Halogen-Free**

**Status**

**Not Low-Halogen**

**Need more information on product environmental compliance?**

Email [productcompliance@molex.com](mailto:productcompliance@molex.com)  
 Please visit the [Contact Us](#) section for any non-product compliance questions.

China ROHS	Green Image
ELV	Not Relevant
RoHS Phthalates	Not Contained

**Search Parts in this Series**

[87977 Series](#)

**Mates With**

JEDEC MO-256 Modules

**Reference - Drawing Numbers**

Application Specification	AS-87746-001-001
Electrical Model Document	EE-87977-001
Product Specification	PS-87977-001-001
S-Parameter Model	SP-87977-001
Sales Drawing	SD-87977-020

This document was generated on 07/10/2018

**PLEASE CHECK [WWW.MOLEX.COM](http://WWW.MOLEX.COM) FOR LATEST PART INFORMATION**