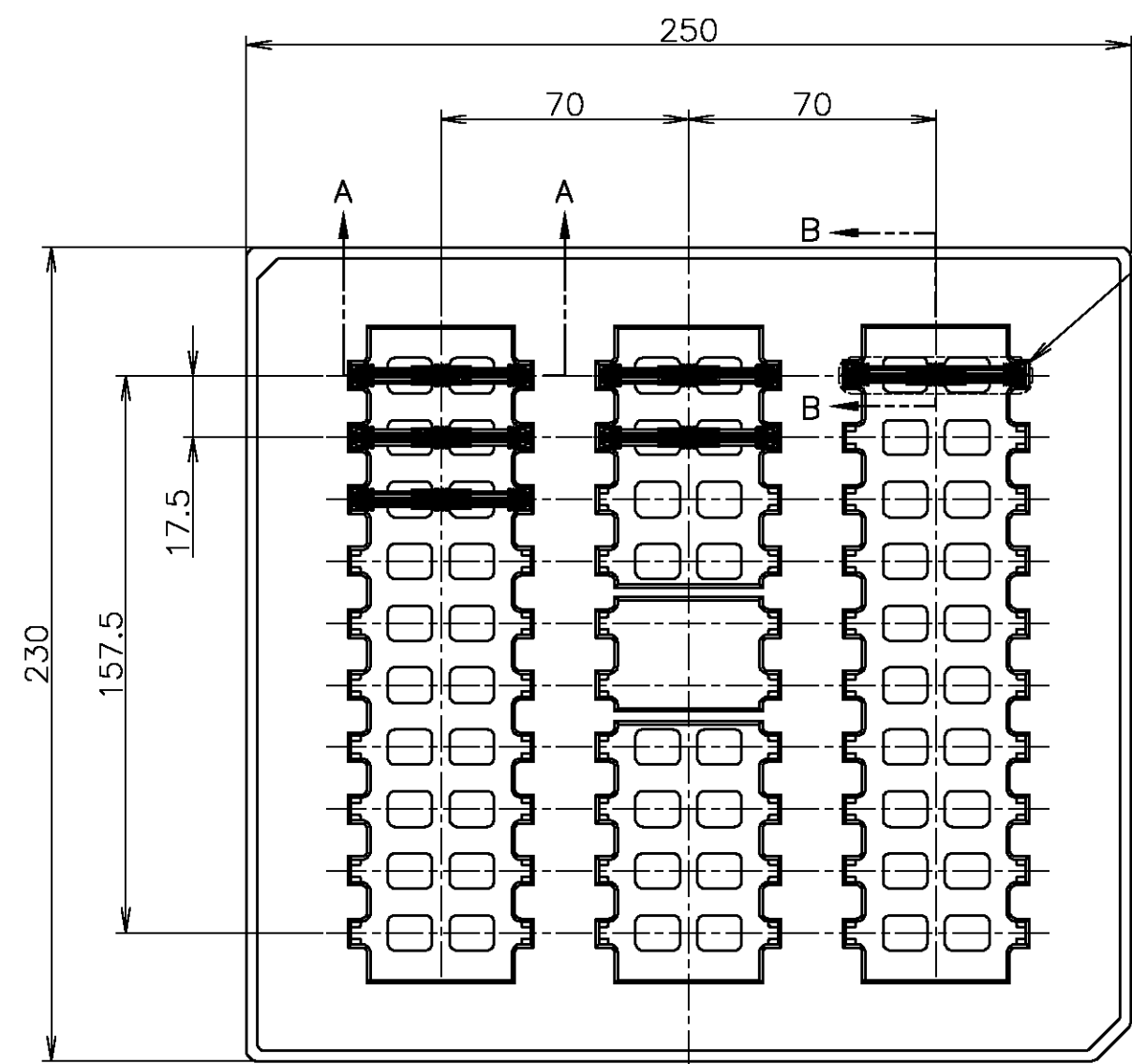
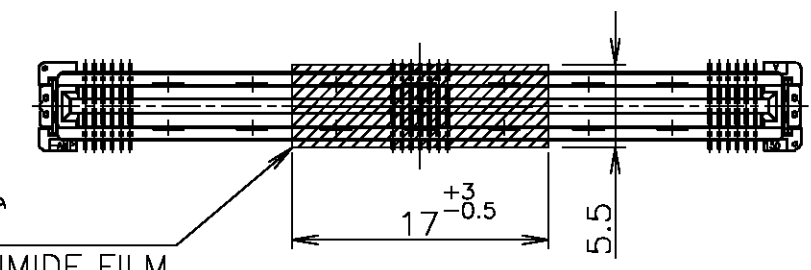
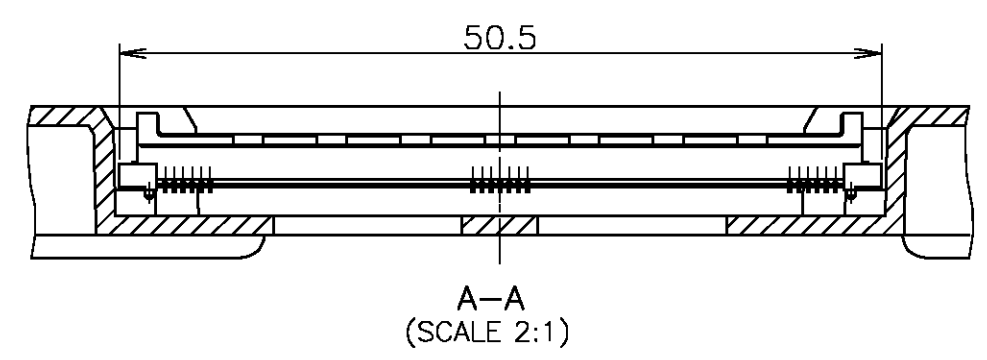
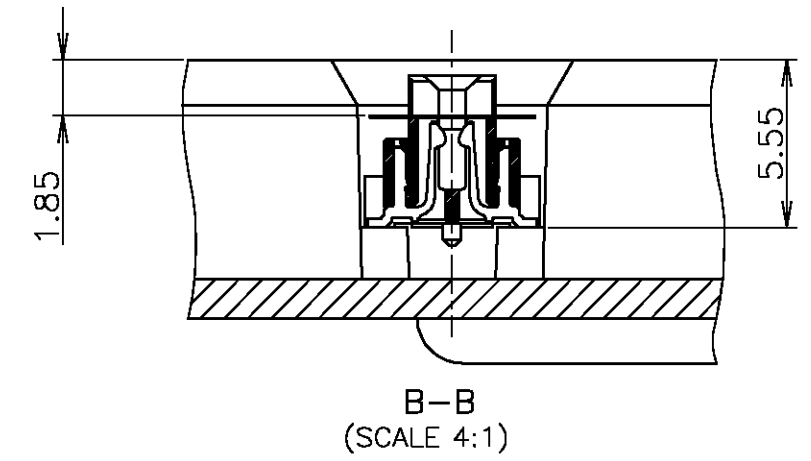


THIS DRAWING IS UNPUBLISHED. RELEASED FOR PUBLICATION AUG, 1997.
 © COPYRIGHT 1997 BY TYCO ELECTRONICS CORPORATION. ALL RIGHTS RESERVED.

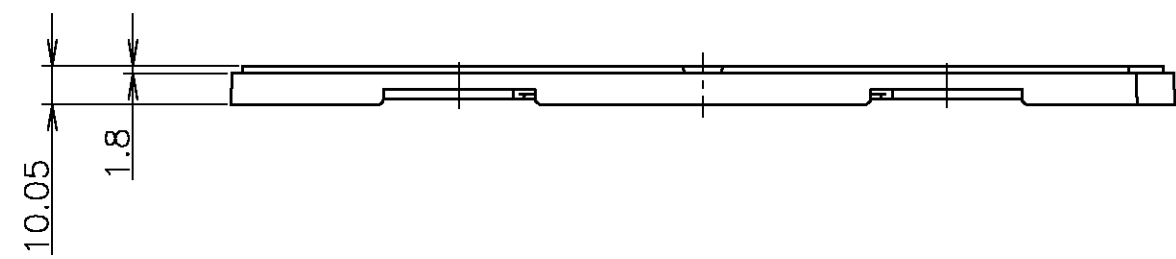
LOC	DIST	REVISIONS					
		P	LTR	DESCRIPTION	DATE	DWN	APVD
J		C		REVISED (FJB0-1096-04)	2NOV04	K.Y	H.M



SEE DETAIL C



接着剤付ポリイミドフィルム
1枚(厚さ=0.05)
ONE SHEET OF POLYIMIDE FILM
WITH ADHESIVE (t = 0.05)



30	150	3-912071-1	1123088-1	1123215-1
QTY	POS.	TRAY P/N	CONN P/N	PART No.

THIS DRAWING IS A CONTROLLED DOCUMENT.

DIMENSIONS: 単位: 筈 MM	TOLERANCES UNLESS OTHERWISE SPECIFIED: 一般公差
	0 PLC ±
	1 PLC ±
	2 PLC ±
	3 PLC ±
	4 PLC ±
	ANGLES ±
MATERIAL 材料	FINISH 仕上

GENERAL TOLERANCE
一般公差

10 ≥ :	±0.2
30 ≥ > 10:	±0.25
100 ≥ > 30:	±0.3
ANGLES: ±3°	

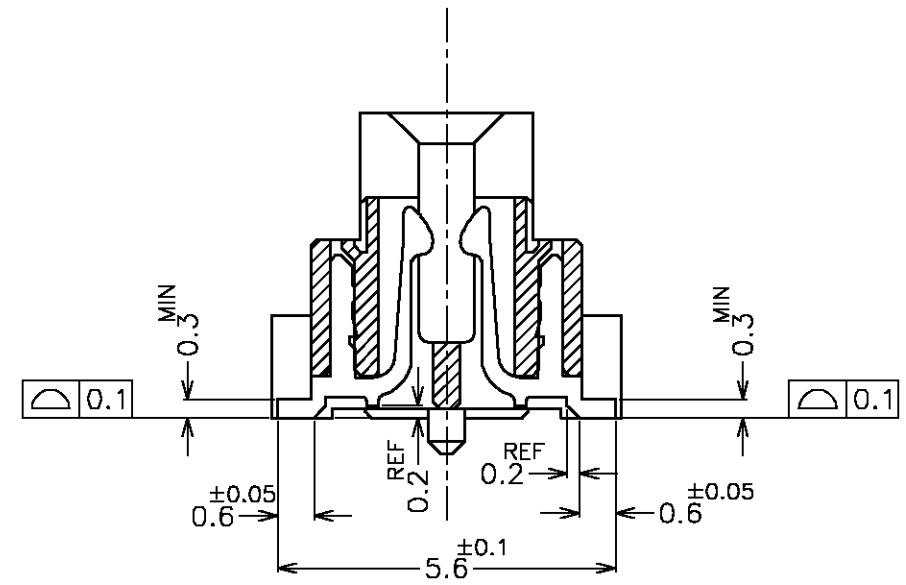
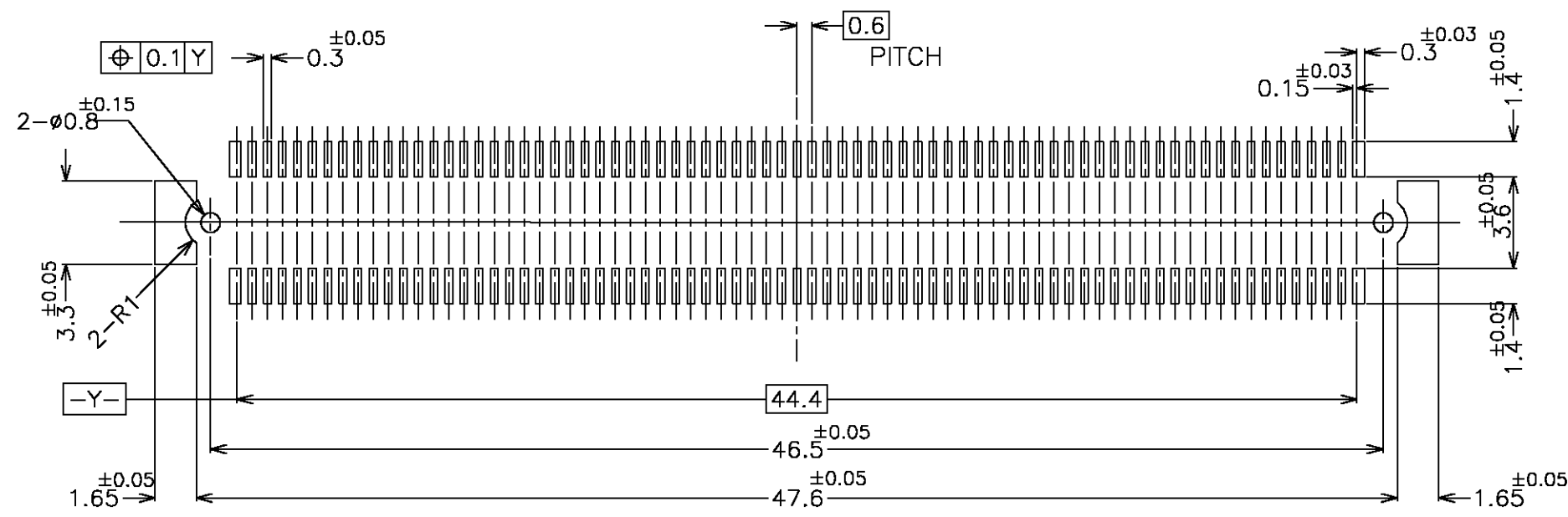
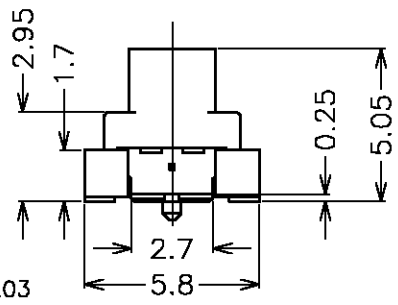
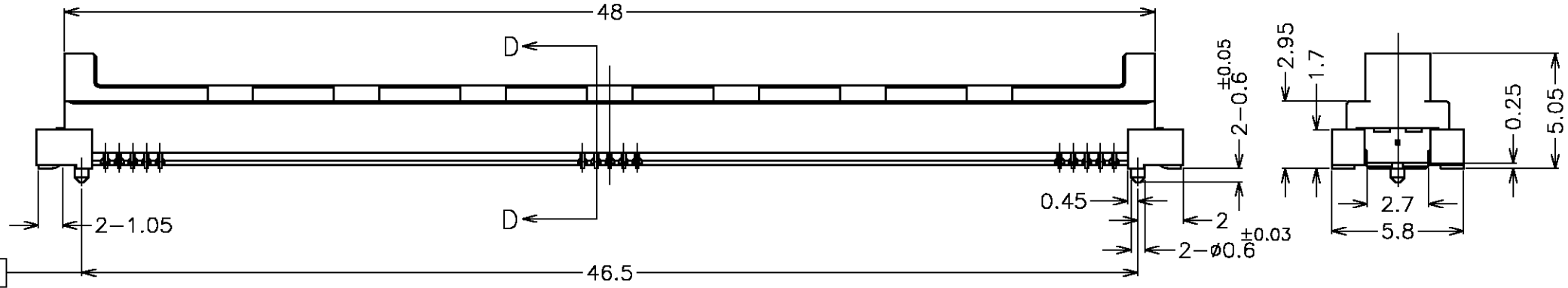
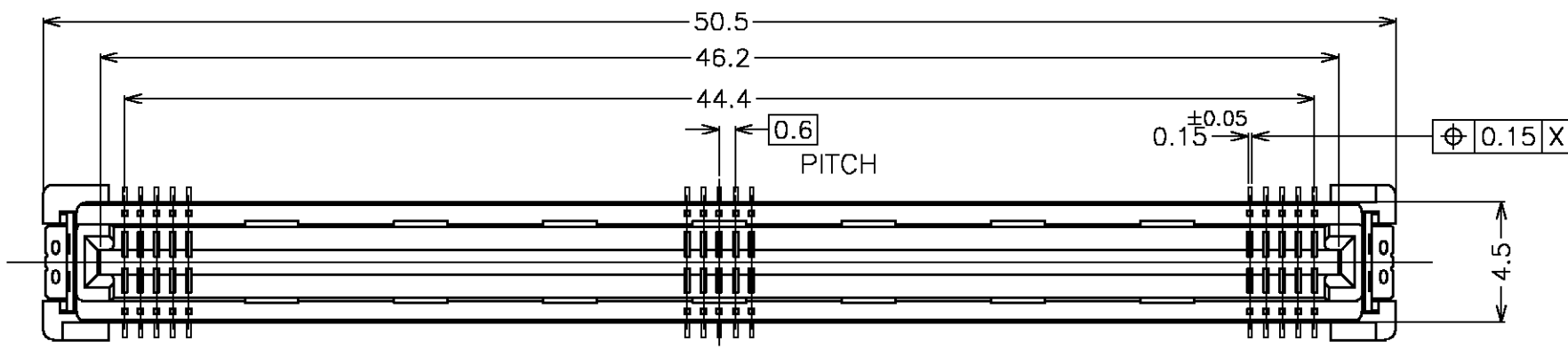
DWN J.TSUJI 27AUG97		Tyco Electronics AMP K.K. Kawasaki, Japan	
CHK T.KUSUHARA 27AUG97		HARD TRAY ASSY	
APVD Y.YAMAMOTO 27AUG97	NAME 名称	0.6mm PITCH CARD EDGE CONNECTOR	
PRODUCT SPEC 製品規格 108-5588	SIZE A3	CAGE CODE 00779	DRAWING NO 番号 C-1123215
APPLICATION SPEC 取付適用規格	WEIGHT		RESTRICTED TO
CUSTOMER DRAWING	SCALE 尺度 1:2	SHEET 1 OF 2	REV C

THIS DRAWING IS UNPUBLISHED. RELEASED FOR PUBLICATION AUG, 1997.

© COPYRIGHT 1997 BY TYCO ELECTRONICS CORPORATION. ALL RIGHTS RESERVED.

LOC	DIST	REVISIONS					
J		P	LTR	DESCRIPTION	DATE	DWN	APVD

1123088-1(150P):AS SHOWN(REFERENCE)



推奨基板取り付け寸法
RECOMMENDED P.C.BOARD LAYOUT

THIS DRAWING IS A CONTROLLED DOCUMENT.		DWN		tyco		Tyco Electronics AMP K.K.	
DIMENSIONS: 単位: 耗 MM		TOLERANCES UNLESS OTHERWISE SPECIFIED: 一般公差		Electronics		Kawasaki.Japan	
GENERAL TOLERANCE 一般公差		0 PLC ±		NAME 名称		HARD TRAY ASSY	
10 ≥ : ±0.2		1 PLC ±		PRODUCT SPEC 製品規格		0.6mm PITCH	
30 ≥ > 10: ±0.25		2 PLC ±		APPLICATION SPEC 取付適用規格		CARD EDGE CONNECTOR	
100 ≥ > 30: ±0.3		3 PLC ±		SIZE		CAGE CODE	DRAWING NO
ANGLES: ±3°		4 PLC ±		A3		00779	C-1123215
MATERIAL 材料		FINISH 仕上		WEIGHT		RESTRICTED TO	
				CUSTOMER DRAWING		SCALE 尺度 4:1	
						SHEET 2 OF 2	
						REV C	