

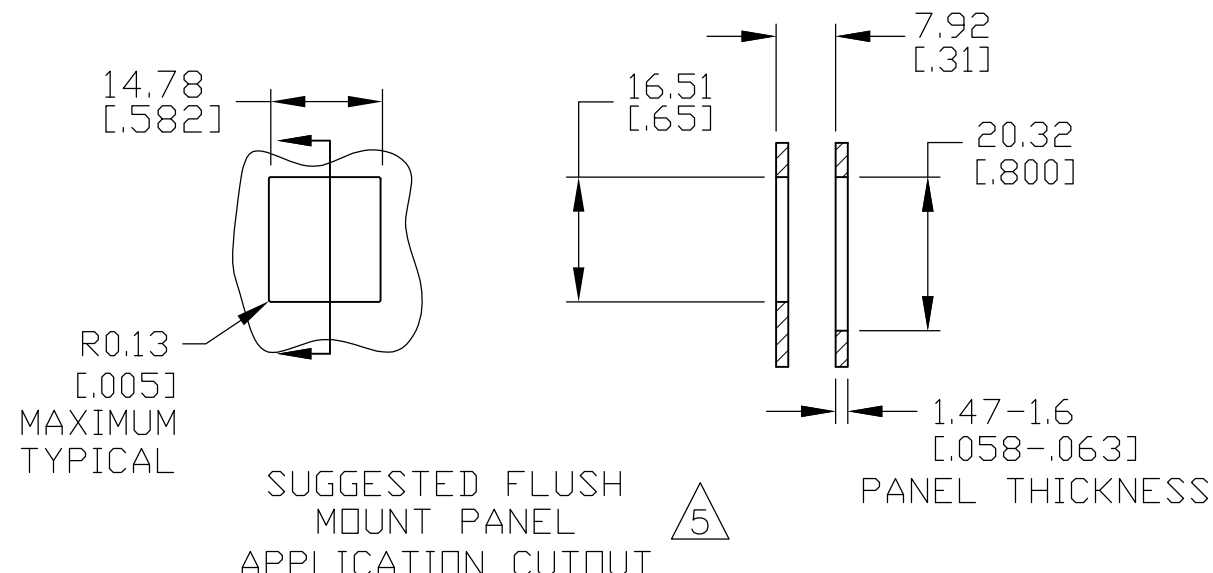
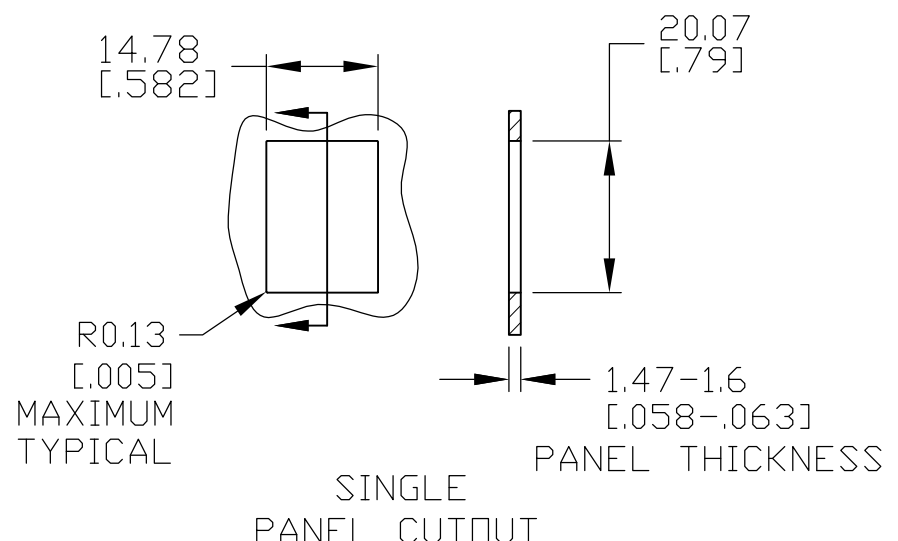
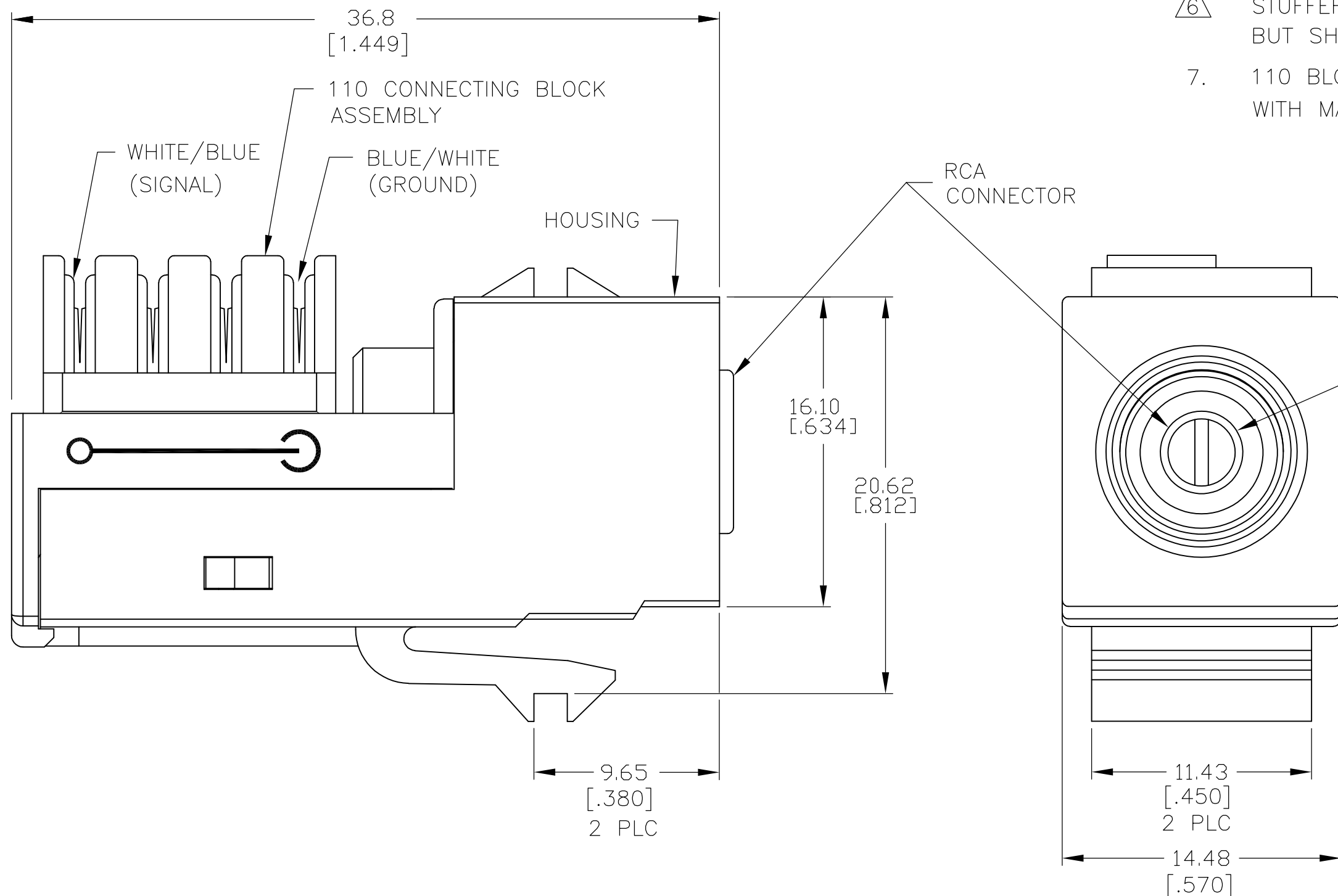
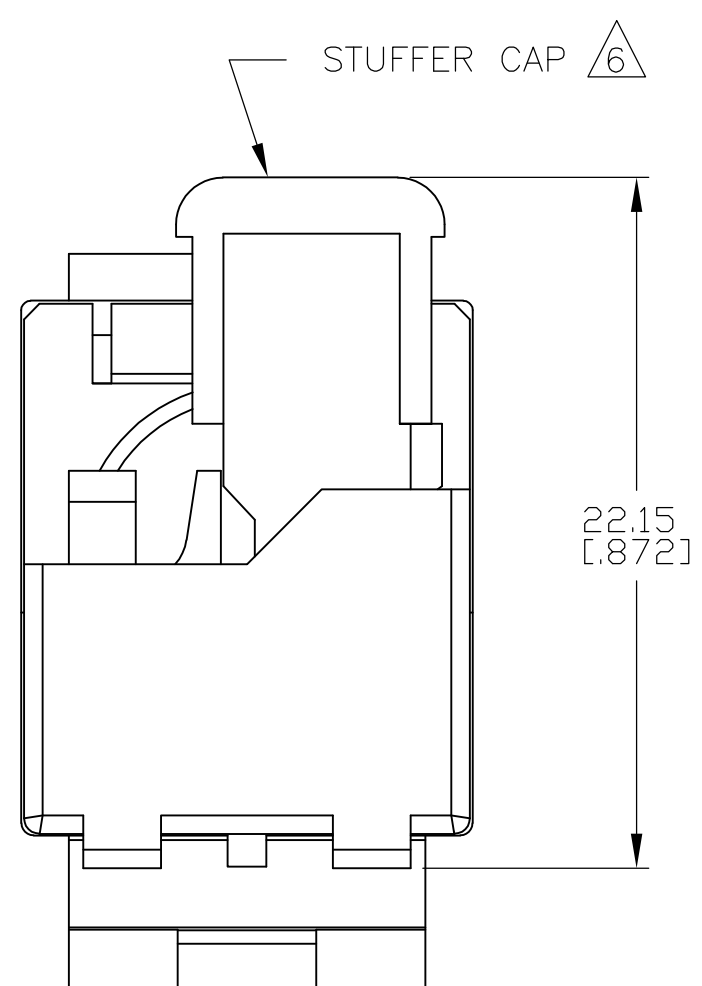
THIS DRAWING IS UNPUBLISHED. RELEASED FOR PUBLICATION
 © COPYRIGHT BY TYCO ELECTRONICS CORPORATION. ALL RIGHTS RESERVED.

LOC	DIST	REVISIONS			
P	LTR	DESCRIPTION	DATE	DWN	APVD
HM	00	E	ECO-13-007086	29APR2013	JM RA

COLOR CODE 110 BLOCK RCA
 BLUE/WHITE >-----< GROUND
 WHITE/BLUE >-----< SIGNAL

ELECTRICAL SCHEMATIC

- 1 MATERIAL: HOUSING - POLYPHENYLENE OXIDE, 94V-0 RATED. SEE TABLE FOR COLOR. STUFFER AND 110 BLOCK - POLYCARBONATE, 94V-0 RATED.
- 2. PACKAGED 1 KIT PER POLYBAG.
- 3. DIMENSIONS SHOWN ARE FOR REFERENCE ONLY.
- 4. MOUNTING PANEL THICKNESS 1.473 - 1.600 [.058 - .063].
- 5 THESE TWO SUGGESTED CUTOUT OPENINGS ARE USED IN TANDEM WITH DUAL FRONT AND BACK CUTOUTS.
- 6 STUFFER CAP SHOWN ASSEMBLED, BUT SHIPPED UNASSEMBLED.
- 7. 110 BLOCK WILL TERMINATE 22-26 AWG SOLID CONDUCTOR WITH MAXIMUM INSULATING DIAMETER OF 1.27[.050].



ALPINE WHITE	1-1479232-3
LIGHT ALMOND	1479232-1
COLOR	PART NUMBER

THIS DRAWING IS A CONTROLLED DOCUMENT.		DWN L.HALL 29APR02	Tyco Electronics Corporation Harrisburg PA 17105-3608	
DIMENSIONS: mm [INCHES]		CHK G. BOWMAN 30APR02	NAME KIT, ADAPTOR RCA/110 CONNECT, YELLOW	
TOLERANCES UNLESS OTHERWISE SPECIFIED:		APVD G. BOWMAN 30APR02	PRODUCT SPEC	
0 PLC ± -		APPLICATION SPEC		
1 PLC ± -		WEIGHT		
2 PLC ± -		CUSTOMER DRAWING		
3 PLC ± -		SIZE A2	CAGE CODE 00779	DRAWING NO C=1479232
4 PLC ± -		RESTRICTED TO		
ANGLES ±		SCALE 4:1 SHEET 1 OF 1 REV E		
FINISH				