

PLEASE CHECK WWW.MOLEX.COM FOR LATEST PART INFORMATION

Part Number: [0089003001](#)
Status: **Active**
Description: 3.96mm Spacing Polarizing Key

Documents:

[3D Model](#) [RoHS Certificate of Compliance \(PDF\)](#)
[Drawing \(PDF\)](#)

General

Product Family	Accessories
Series	7580
Component Type	Polarizing Peg
Product Name	N/A
UPC	800753577312

Physical

Circuits (Loaded)	1
Color - Resin	Natural
Lock to Mating Part	No
Material - Resin	Nylon
Net Weight	0.009/g
Packaging Type	Bag

Solder Process Data

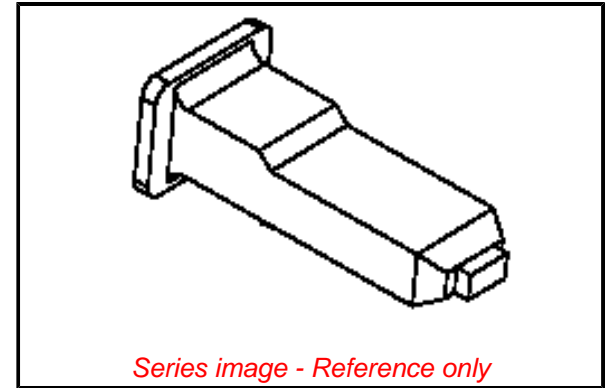
Lead-freeProcess Capability	N/A
-----------------------------	-----

Material Info

Engineering Number	7580-01
--------------------	---------

Reference - Drawing Numbers

Sales Drawing	SD-7580-*
---------------	-----------



EU ELV

Not Relevant

EU RoHS

Compliant

REACH SVHC

Not Contained Per
-ED/01/2017 (12
January 2017)

Halogen-Free

Status

Low-Halogen

Need more information on product environmental compliance?

Email productcompliance@molex.com
Please visit the [Contact Us](#) section for any non-product compliance questions.

China ROHS

ELV

RoHS Phthalates

Green Image

Not Relevant

Not Contained

Search Parts in this Series

[7580 Series](#)

Use With

[6442 KK® Crimp Terminal Housing](#)

PLEASE CHECK WWW.MOLEX.COM FOR LATEST PART INFORMATION