

SERIES 38E Sealed Snap Action Miniature Pushbutton Switches

FEATURES

- SPDT and DPDT Circuitry
- Choice of Bushings, and Terminations
- UL Recognized
- IP-68 Degree of Protection
- RoHS Compliant



DIMENSIONS in inches (and millimeters)

SPDT

MODEL NO.	SWITCH POSITION	
WSP7	ON	(ON)
TERM. COMM.	1-3	1-2

()=MOMENTARY

DPDT

MODEL NO.	SWITCH POSITION	
WDP7	ON	(ON)
TERM. COMM.	1-3, 4-6	1-2, 4-5

()=MOMENTARY

PLUNGER OPTIONS in inches (and millimeters)

OPTION CODE	DIM. "A"
1	.173 (4.40)
2	.220 (5.60)
3	.087 (2.20)

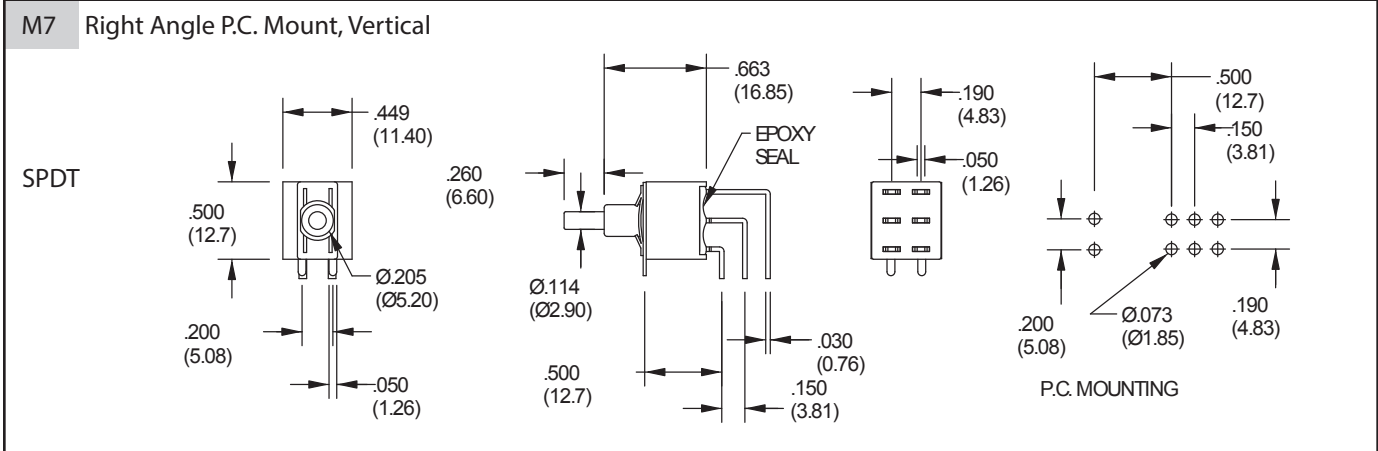
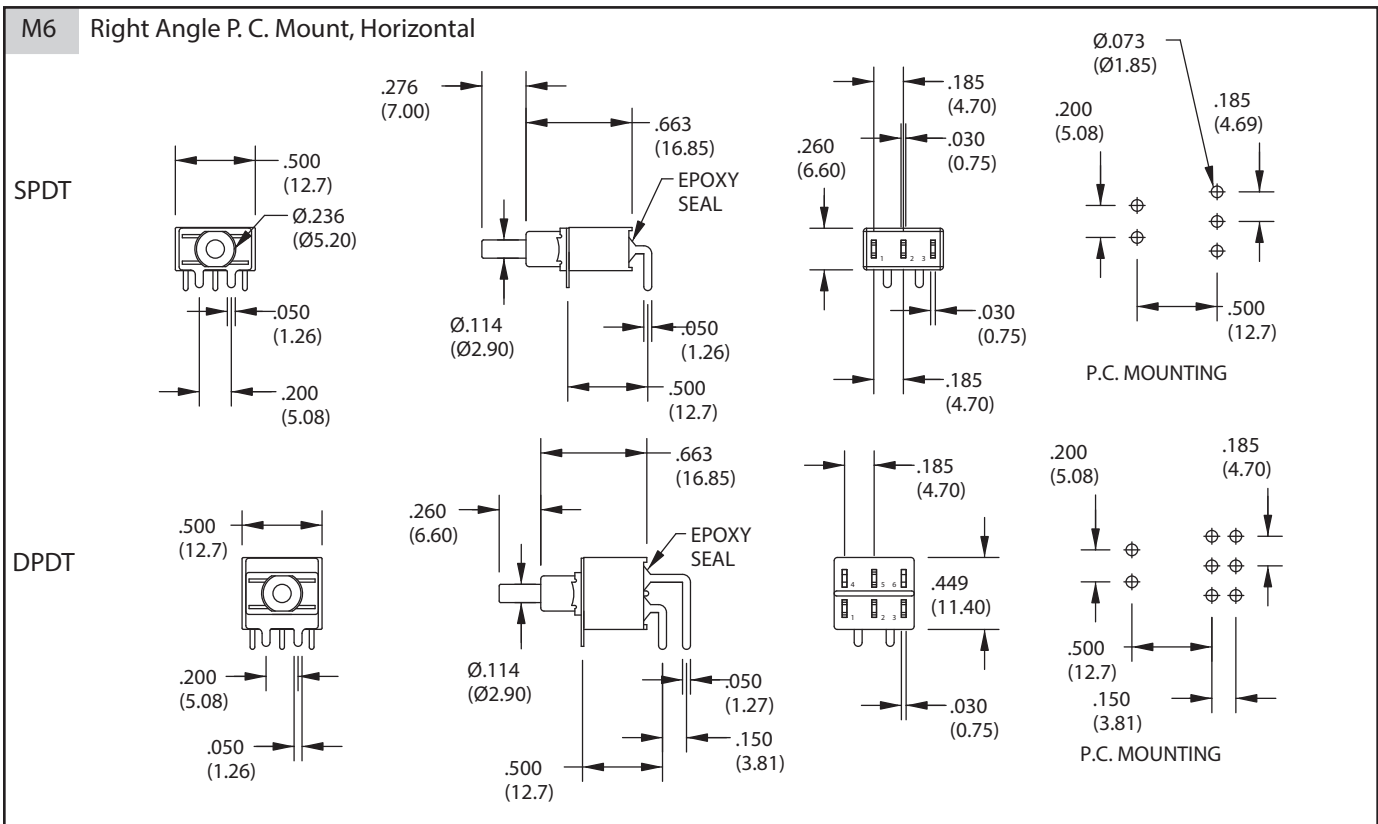
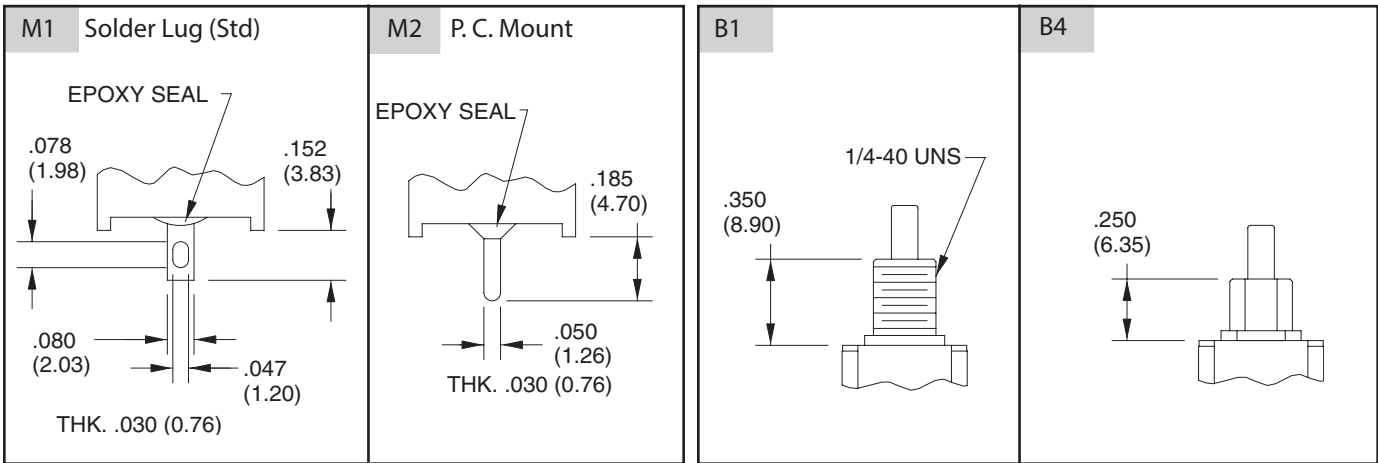
FOR B1
BUSHING

OPTION CODE	DIM. "A"
1	.276 (7.00)
2	.327 (8.30)
3	.193 (4.90)

FOR B4
BUSHING

BUSHING OPTIONS in inches (and millimeters)

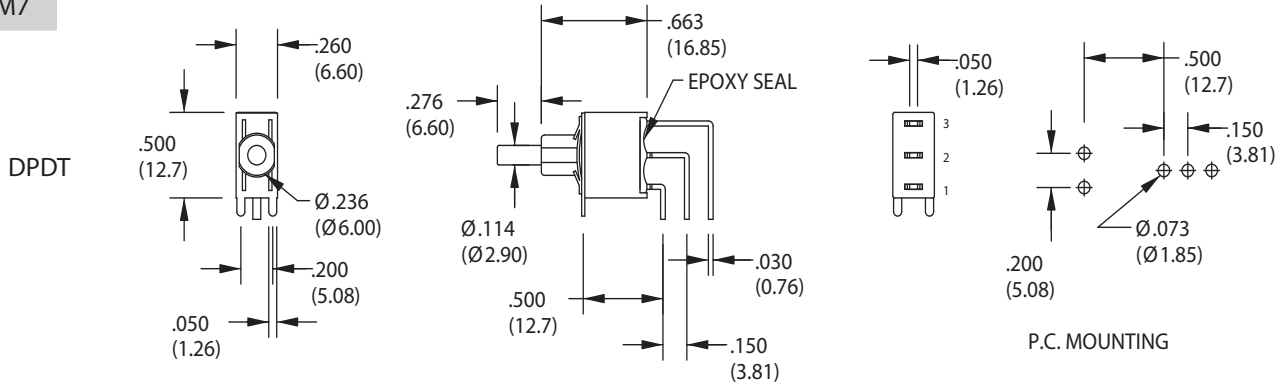
TERMINATION OPTIONS in inches (and millimeters)



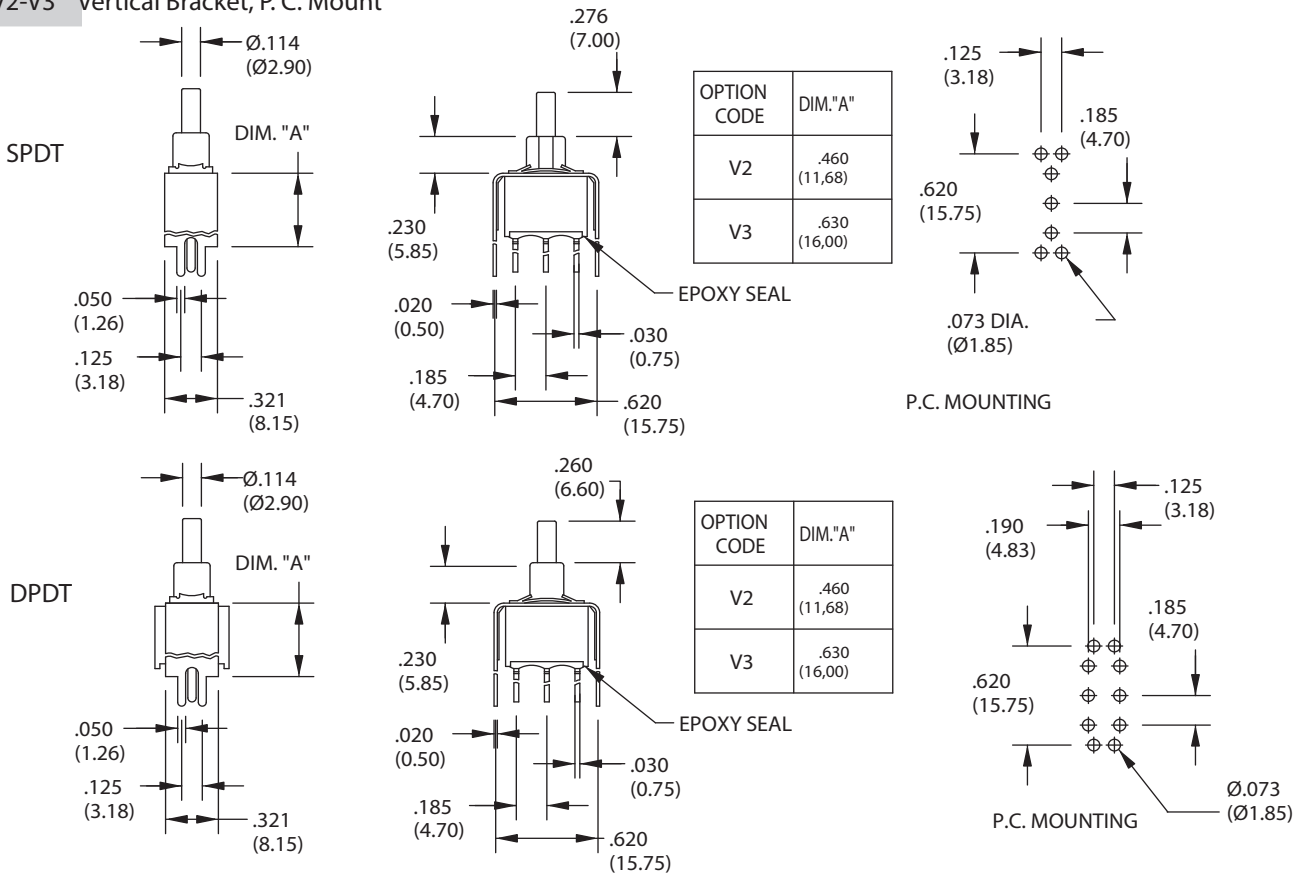
Pushbutton Switches

TERMINATION OPTIONS (CONT.) in inches (and millimeters)

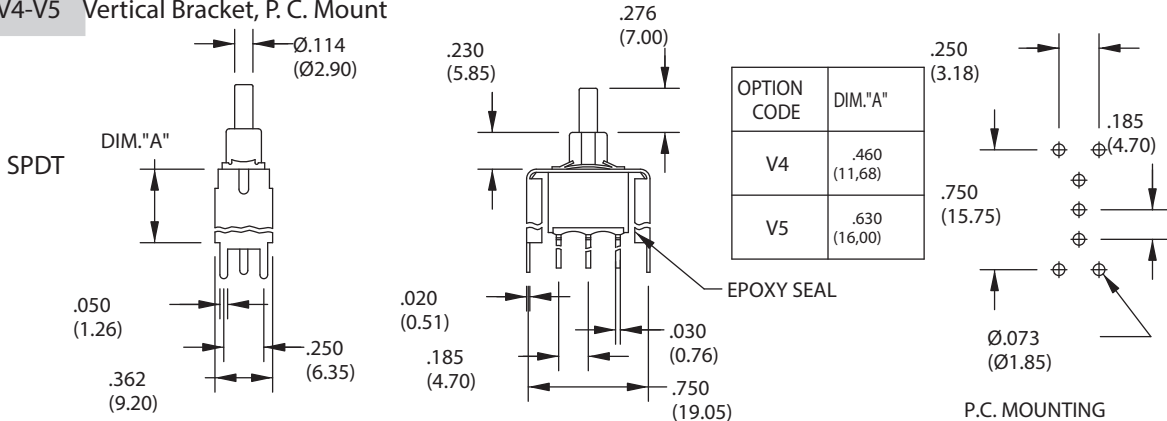
M7



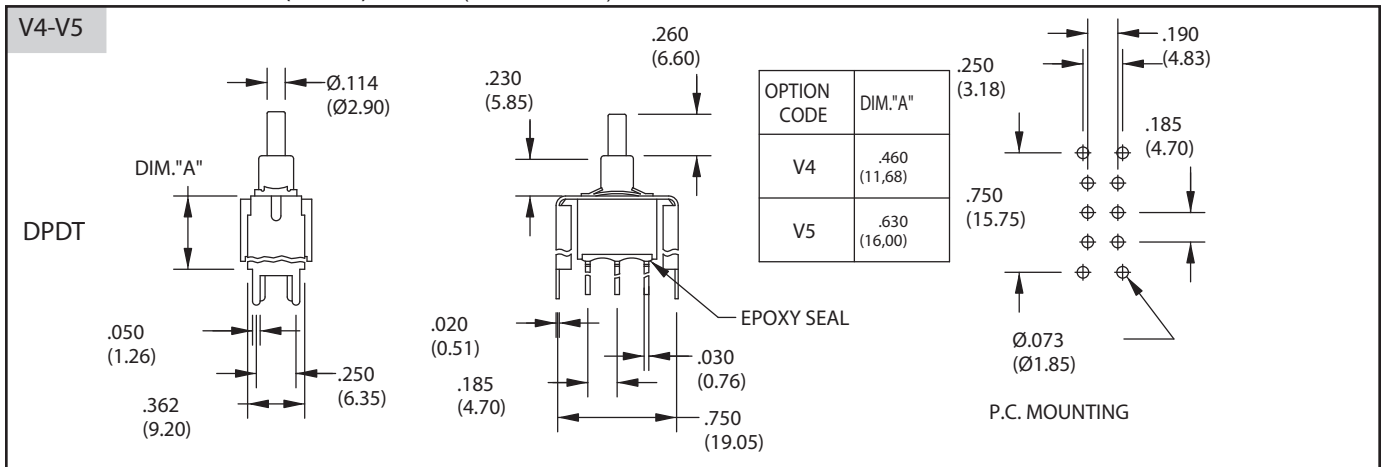
V2-V3 Vertical Bracket, P. C. Mount



V4-V5 Vertical Bracket, P. C. Mount

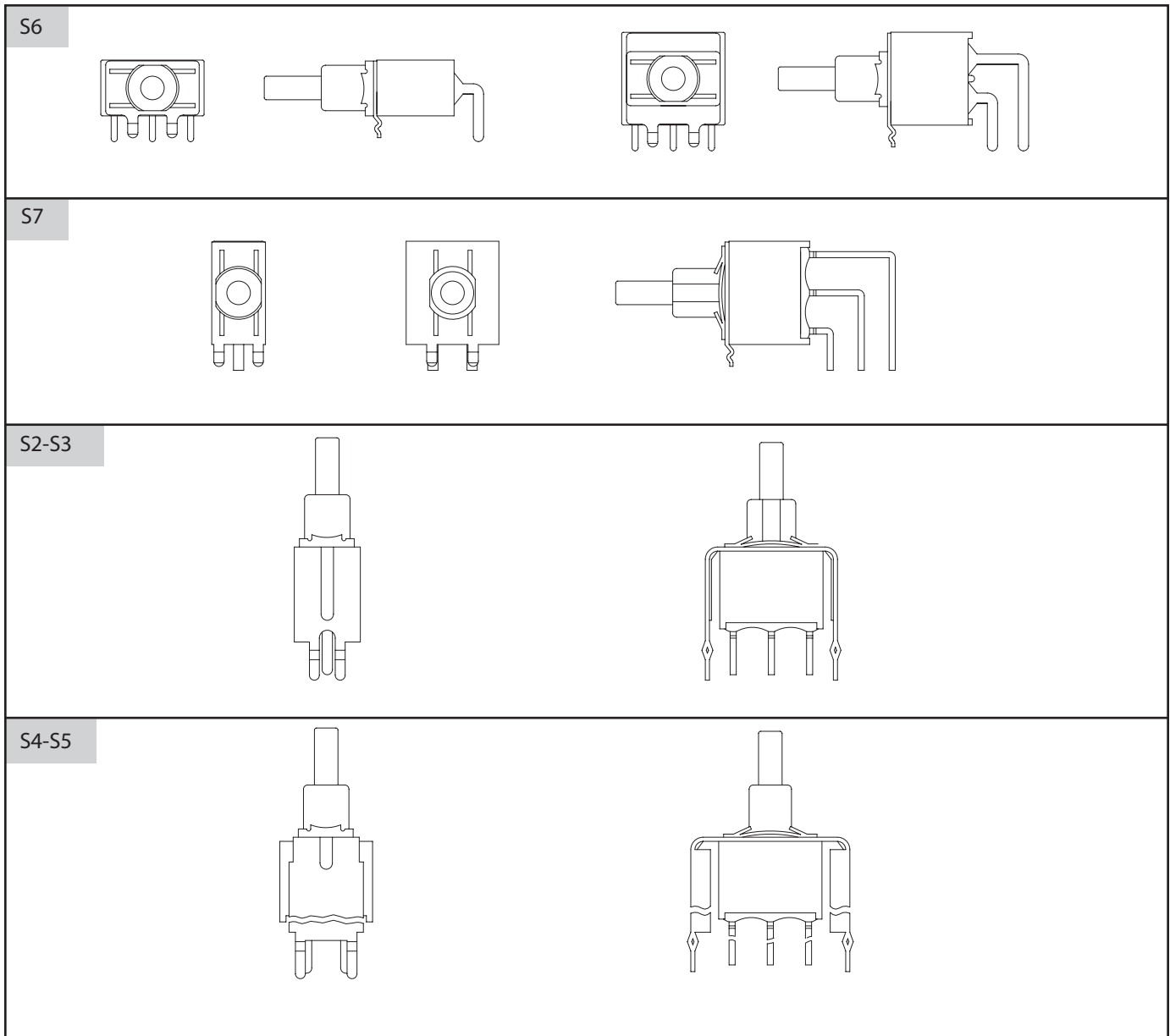


TERMINATION OPTIONS (CONT.) in inches (and millimeters)



Snap-in Termination Options

(Snap-in termination options have the same PC layout as M2, M6 and M7 options)



Pushbutton Switches