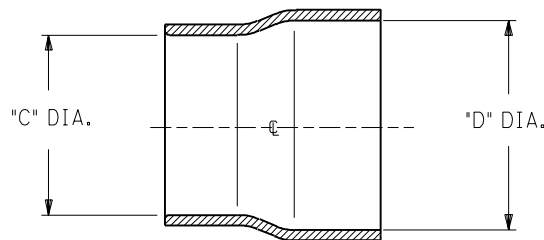
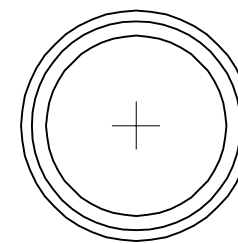
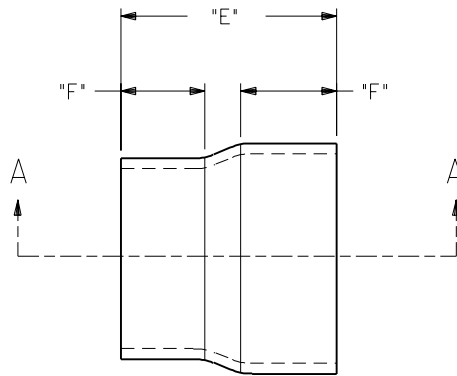
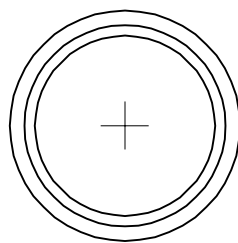
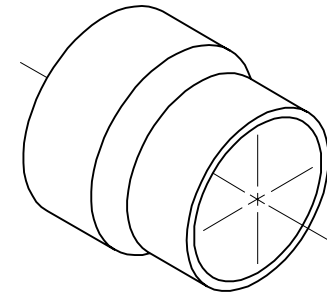


NOTES:

1. MATERIAL: STEEL, ANNEALED, .020±.001 THICK
2. PLATING: .000200 IN. MIN. BRIGHT TIN OVER .000100 IN. MIN. COPPER OVERALL.
3. PRODUCT CONFORMS TO PRODUCT SPECIFICATION PS-71182.
4. PACKAGING: PRODUCT IS BULK PACKAGED



SECTION A-A

PART #	CABLE DIA. RANGE	"C"	"D"	"E"	"F"	USES EMI CAN KIT NUMBER
73772-0001	.246-.321 (6.25-8.16)	.324 (8.23)	.437 (11.10)	.450 (11.43)	.191 (4.85)	71755-1001 88789-9332 88789-9333
73772-0002	.322-.354 (8.17-9.00)	.375 (9.53)	.437 (11.10)	.450 (11.43)	.191 (4.85)	71755-1000 88789-9333
73772-0003	.355-.387 (9.01-9.84)	.392 (9.96)	.505 (12.83)	.565 (14.35)	.235 (5.97)	71755-1000
73772-0004	.388-.420 (9.85-10.67)	.432 (10.97)	.505 (12.83)	.565 (14.35)	.235 (5.97)	71755-1000

ADDED KIT #15 EC No. LUT2001-0277 DRWNSCHMIDGA 0009005 CHK: TMCLELL 0009006 APPR: NELSON 0009007	QUALITY SYMBOLS MAJOR $\nabla = 0$ CRITICAL $\nabla = 0$	GENERAL TOLERANCES: (UNLESS SPECIFIED) mm INCH 4 PLACES ±0. ±. 3 PLACES ±0. --- ±.015 2 PLACES ±0.38 ±. 1 PLACE ±0. ±. ANGULAR: ± 1/2°	SCALE 5 : 1 DESIGN UNITS <input type="checkbox"/> mm <input checked="" type="checkbox"/> INCH THIRD ANGLE PROJECTION DRAWN BY & DATE PMURPHY 97/03/26 CHECKED BY & DATE JNELLI GA 97/03/26 APPROVED BY & DATE JNELLI GA 97/03/26	DIMENSIONS: <input type="checkbox"/> mm <input checked="" type="checkbox"/> INCH <input type="checkbox"/> mm ONLY TITLE: MICROCROSS, P&D AND DVI CRIMP FERRULES SALES DRAWING MOLEX INCORPORATED	SHT 1 REV 1 REVISE ON CAD ONLY	
	CAD FILENAME 73772S1.DGN	MATERIAL NO. SEE CHART	DRAWING NO. SD-73772-000	SHEET NO. 1 OF 1 SIZE C		
	DRAFT WHERE APPLICABLE MUST REMAIN WITHIN DIMENSIONS				THIS DRAWING CONTAINS INFORMATION THAT IS PROPRIETARY TO MOLEX INCORPORATED AND SHOULD NOT BE USED WITHOUT WRITTEN PERMISSION.	
	THIS DRAWING CONTAINS INFORMATION THAT IS PROPRIETARY TO MOLEX INCORPORATED AND SHOULD NOT BE USED WITHOUT WRITTEN PERMISSION.					