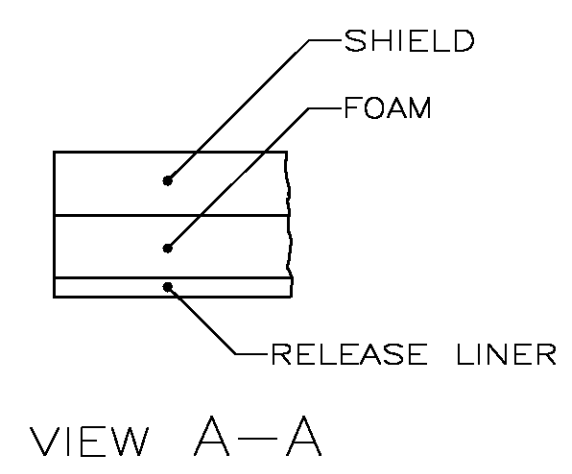
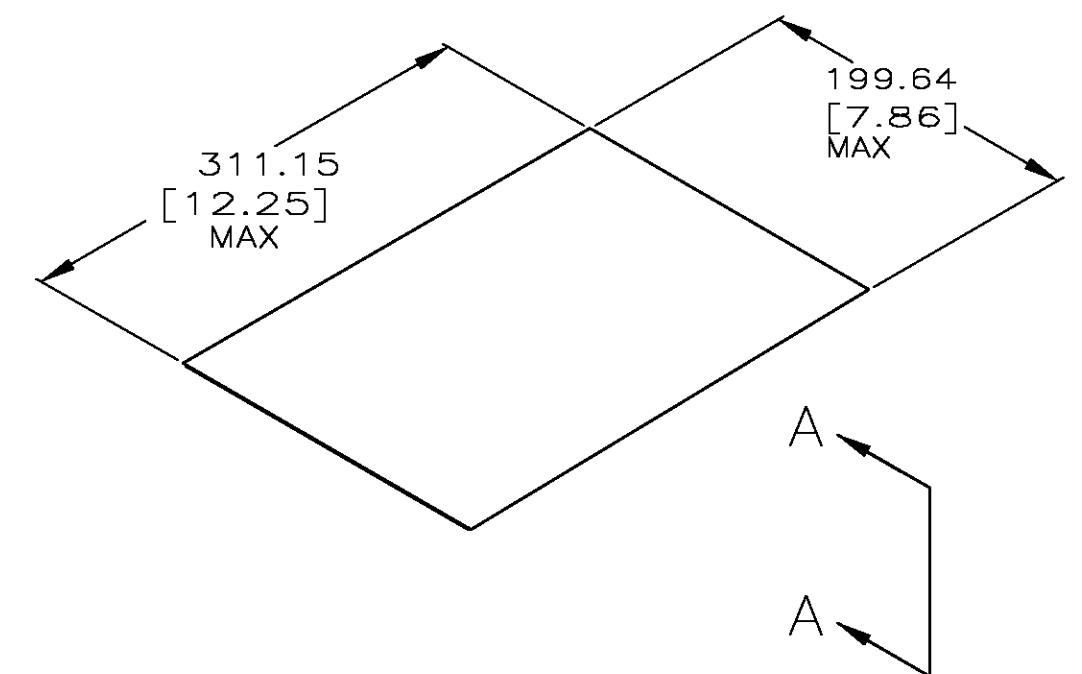
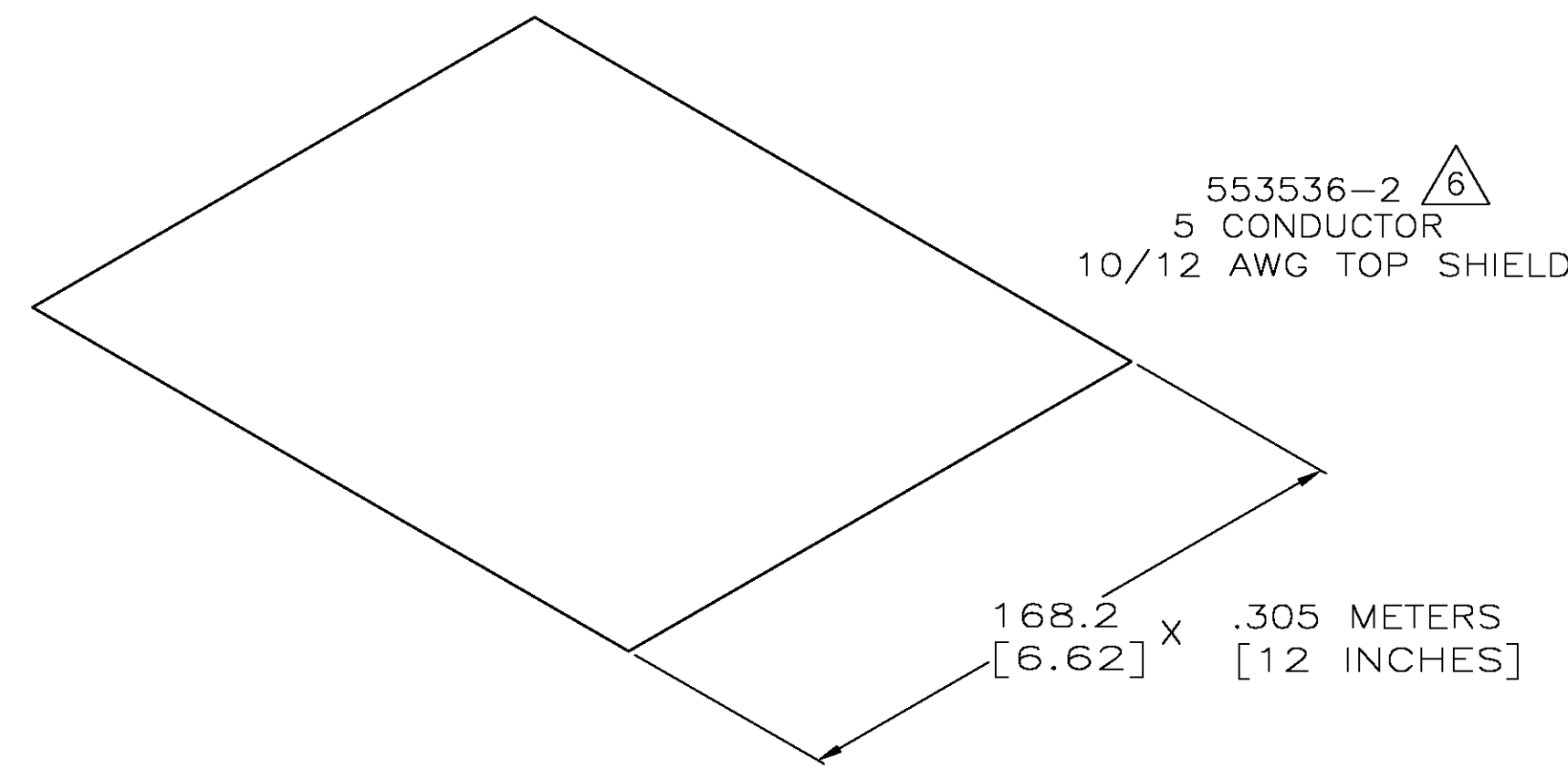


553534-2 ⁴
 BONDING CLIP



556411-1 ³
 INSULATOR KIT, POWER

| LOC | | DIST | | REVISIONS | | | |
|-----|----|------|-----|----------------------|---------|-----|------|
| HM | 00 | P | LIR | DESCRIPTION | DATE | DMN | APVD |
| | | O | | RLSD - NSD01-082 | 23JAN02 | LH | FL |
| | | A | | REV EC- 0B40-0269-02 | 11OCT02 | LH | LS |
| | | B | | REV EC- 0B40-0036-03 | 12FEB03 | LH | LS |

1. DIMENSIONS ARE FOR REFERENCE ONLY UNLESS OTHERWISE SPECIFIED.
2. THIS KIT SHIPPED NOT ASSEMBLED.
3. INSULATOR KIT, POWER: POLYVINYL CHLORIDE SHEET, BLUE WITH ADHESIVE BACKED FOAM COVERED WITH A RELEASE LINER.
4. BONDING CLIP: COPPER-IRON ALLOY
5. MULTI-PURPOSE TAPE: ADHESIVE BACKED POLYETHYLENE COATED COTTON CLOTH, BLACK, 0.33 [.013] THICK
6. 5 CONDUCTOR 10/12 AWG TOP SHIELD: NICKEL ZINC COATED STEEL, 0.25 [.010] THICK.
7. ONE INSTRUCTION SHEET, 408-8635 SUPPLIED WITH EACH KIT.

| ITEM NO. | QTY | PART NO. | DESCRIPTION |
|----------|-----|----------|----------------|
| 1 | B | 553481-1 | HOLD DOWN TAPE |
| 4 | A2 | 553534-2 | SPRING CLIP |
| 1 | D | 553536-2 | TOP SHIELD |
| 1 | A3 | 556411-1 | INSULATOR |

THIS DRAWING IS A CONTROLLED DOCUMENT.

| | | | | | | | |
|---------------------------|--|-------------|-------------|-------------|--------------|--------------|--------------|
| DIMENSIONS: (mm) [INCHES] | TOLERANCES UNLESS OTHERWISE SPECIFIED: | 0 PLC ± .05 | 1 PLC ± .02 | 2 PLC ± .01 | 3 PLC ± .005 | 4 PLC ± .002 | ANGLES ± .05 |
|---------------------------|--|-------------|-------------|-------------|--------------|--------------|--------------|

| | | | |
|--------------|------|--------------|------|
| MATERIAL | THRU | FINISH | THRU |
| ³ | | ⁶ | |

| | | | | | |
|-----|---------|---------|----------|------------|------|
| REV | DATE | BY | CHK | APPD | NAME |
| 1 | 22JAN02 | L. HALL | L. SMITH | F. LINCOLN | |

Tyco Electronics Corporation
 Harrisburg, PA, 17105-3608

KIT, PATCH, FLOOR FITTING, UNDER CARPET POWER

SIZE: A1 CAGE CODE: 00779 DRAWING NO: 1479151

CUSTOMER DRAWING SCALE: NONE SHEET 1 OF 1 REV B