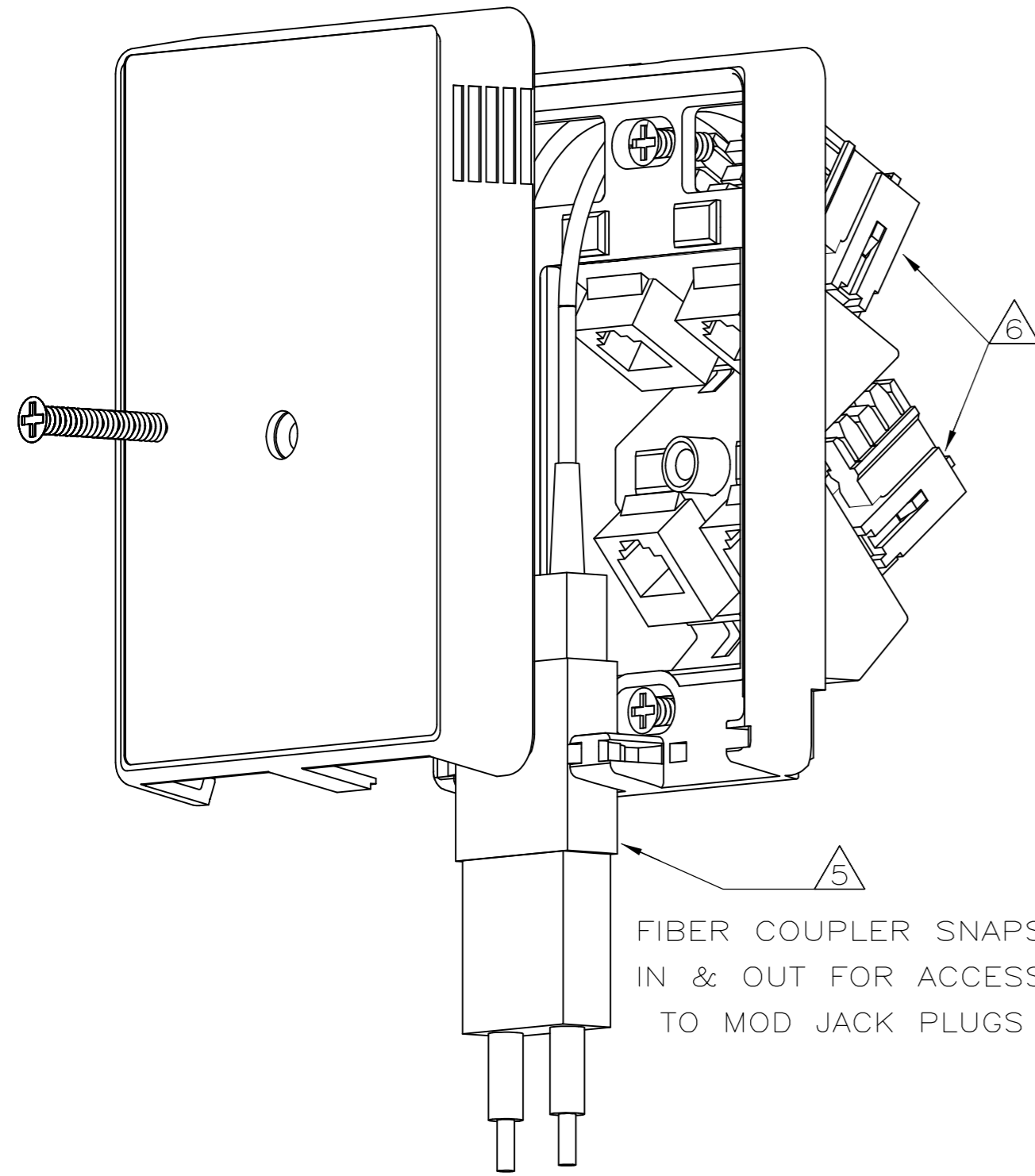


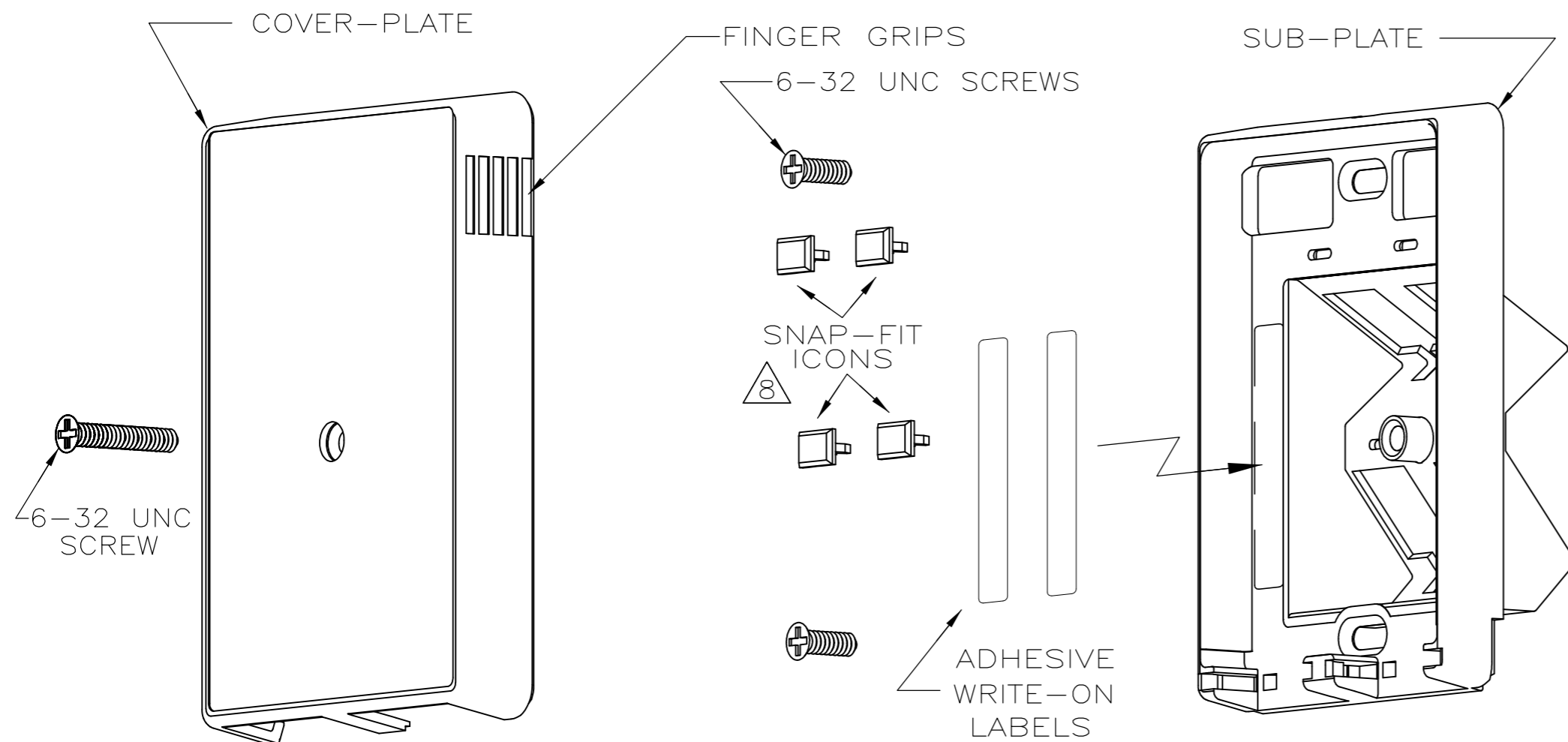
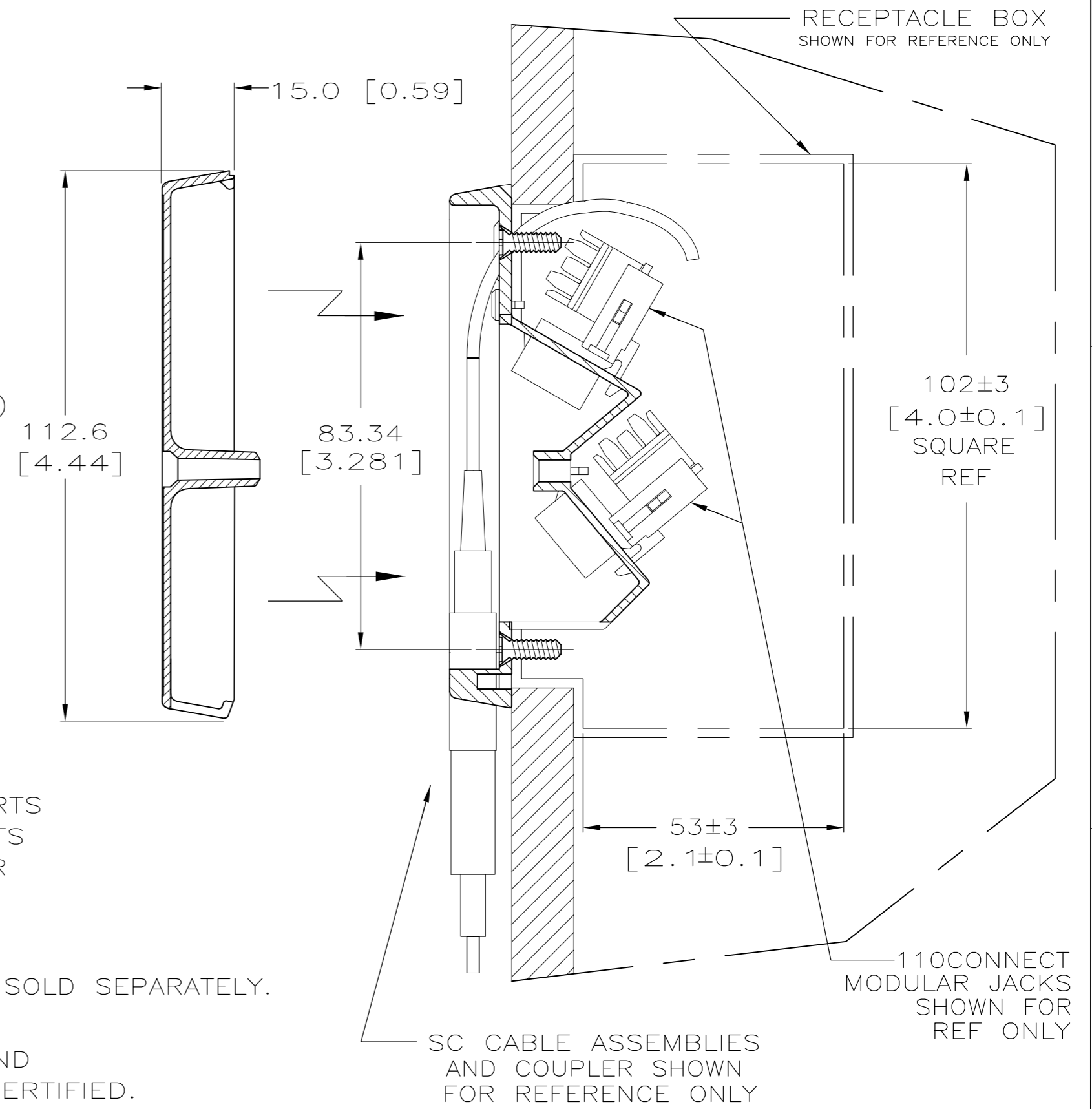
THIS DRAWING IS UNPUBLISHED. RELEASED FOR PUBLICATION
 © COPYRIGHT - By - ALL RIGHTS RESERVED.

LOC		DIST		REVISIONS			
P	LTR	DESCRIPTION	DATE	DWN	APVD		
HM	00						
E		REV ECO-14-002243	18FEB2014	GG	RA		



FIBER COUPLER SNAPS IN & OUT FOR ACCESS TO MOD JACK PLUGS

1. DIMENSIONS IN [] ARE IN INCHES
2. SUB-PLATE: PBT MOLDING COMPOUND
COVER-PLATE: ABS MOLDING COMPOUND
SCREWS: CARBON STEEL
ADHESIVE LABELS: POLYESTER
CABLE-TIES: NYLON
3. SCREWS: ZINC PLATE & PAINT
4. KIT INCLUDES:
SUB-PLATE (ONE)
COVER-PLATE (ONE)
ADHESIVE LABELS, INSIDE SUB-PLATE (FOUR)
CABLE-TIES (TWO)
SCREWS, SUB-PLATE, (TWO)
SCREW, COVER-PLATE, (ONE)
5. AMP SC DUPLEX FIBER COUPLER SHOWN ALSO AVAILABLE:
AMP 2.5mm BAYONET DUPLEX COUPLER
AMP SC TO 2.5mm BAYONET DUPLEX COUPLER
6. AMP 110CONNECT MODULAR JACKS SHOWN
7. POSSIBLE OUTLET CONFIGURATIONS:
(2) FIBERS AND (1) TO (4) MOD JACK INSERTS
(2) TO (4) FIBERS AND NO MOD JACK INSERTS
(1) TO (4) MOD JACK INSERTS AND NO FIBER
8. WALL OUTLET ACCOMODATES COLOR-CODED SNAP-FIT ICONS, SOLD SEPARATELY.
COUPLERS FOR FIBER & COPPER MEDIA ALSO SOLD SEPARATELY.
9. UNDERWRITERS LABORATORIES (UL) LISTED AND CANADIAN STANDARDS ASSOCIATION (CSA) CERTIFIED.



LIGHT ALMOND	ALPINE WHITE	1-503997-3
LIGHT ALMOND	LIGHT ALMOND	503997-1
SUB-PLATE COLOR	COVER COLOR	PART NUMBER

THIS DRAWING IS A CONTROLLED DOCUMENT.		DWN	19 JUL 95	 TE Connectivity			
DIMENSIONS: mm [INCHES]		CHK	19 JUL 95				
TOLERANCES UNLESS OTHERWISE SPECIFIED:		APVD	19 JUL 95				
0 PLC ± -		NAME					
1 PLC ± -		F. ABENDSCHEIN		HideOut WALL OUTLET ASSEMBLY, SCREW-ON COVER, SINGLE GANG, FIBER/COPPER COMPATIBLE			
2 PLC ± -		APPLICATION SPEC		SIZE	CAGE CODE	DRAWING NO	RESTRICTED TO
3 PLC ± -		408-4164		A2	00779	C=503997	-
4 PLC ± -		WEIGHT		SCALE		SHEET	REV
ANGLES ± -		CUSTOMER DRAWING		NTS		1 of 1	E
FINISH							