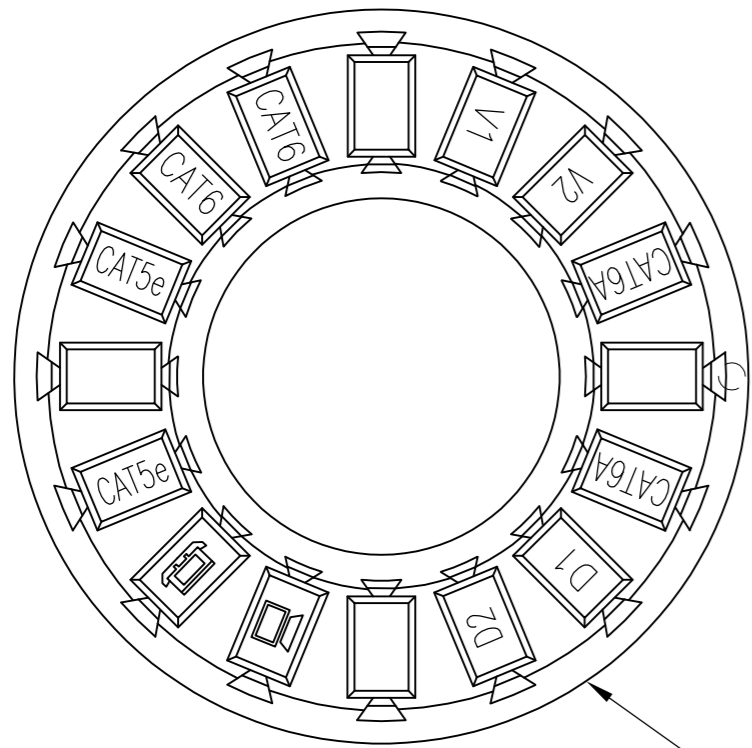


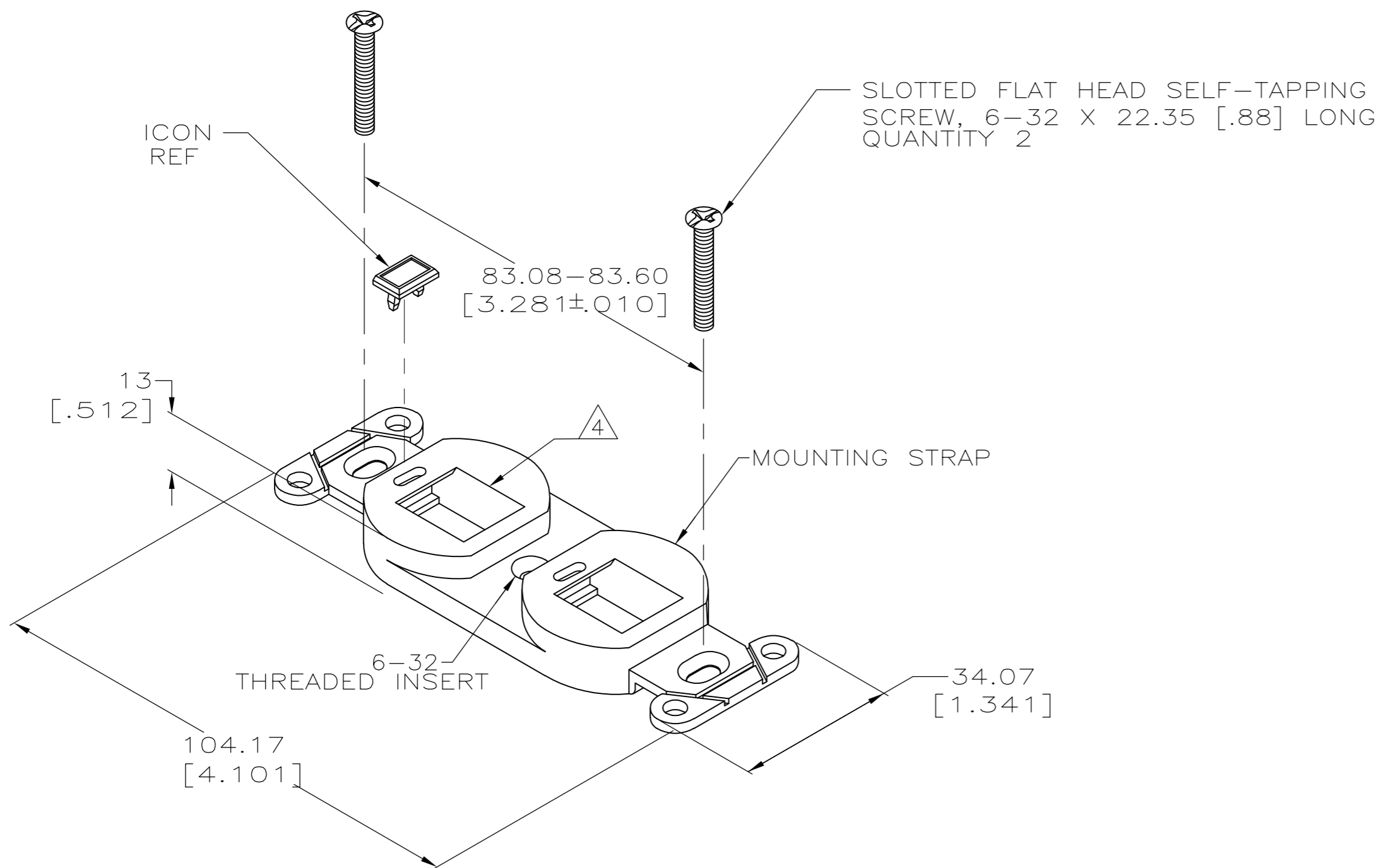
THIS DRAWING IS UNPUBLISHED. RELEASED FOR PUBLICATION
 © COPYRIGHT BY TYCO ELECTRONICS CORPORATION. ALL RIGHTS RESERVED.

LOC	DIST	REVISIONS			
P	LTR	DESCRIPTION	DATE	DWN	APVD
HM	00	D	ECO-13-019955	26DEC2013	JM GB



ICON VARIETY WHEEL

- 1 DIMENSIONS ARE MAXIMUM UNLESS OTHERWISE SPECIFIED.
- 2 MATERIAL:
MOUNTING STRAP AND ICONS - ABS MOLDING COMPOUND, SEE TABLE FOR COLOR.
SCREWS - ZINC PLATED CARBON STEEL
THREADED INSERT - BRASS.
- 3. KIT SHIPPED NOT ASSEMBLED.
- 4 OPENINGS WILL ACCEPT TE 110 CONNECT JACKS, SL SERIES JACKS, MT-RJ OUTLET JACKS AND 110 CONNECT OR SL SERIES MULTIMEDIA INSERTS.



ALPINE WHITE	1-1116618-3
ELEC. IVORY	1-1116618-1
NEMA GRAY	1116618-4
WHITE	1116618-3
BLACK	1116618-2
LIGHT ALMOND	1116618-1
COLOR	PART NO.

THIS DRAWING IS A CONTROLLED DOCUMENT.		DWN L. HALL 20MAR01	Tyco Electronics Corporation Harrisburg, PA 17105-3608	
DIMENSIONS: mm		CHK G. BOWMAN 21MAR01	NAME MOUNTING STRAP KIT, 2 PORT, 110 CONNECT	
TOLERANCES UNLESS OTHERWISE SPECIFIED:		APVD G. BOWMAN 21MAR01	SIZE A2	CAGE CODE 00779
0 PLC ± -	1	PRODUCT SPEC	DRAWING NO C=1116618	RESTRICTED TO -
1 PLC ± -	2	APPLICATION SPEC	SCALE 1:1	SHEET 1 OF 1
2 PLC ± -	3	WEIGHT -	REV D	
3 PLC ± -	4	CUSTOMER DRAWING		
4 PLC ± -	ANGLES ± -			
FINISH				