

**PLEASE CHECK WWW.MOLEX.COM FOR LATEST PART INFORMATION**

**Part Number:** [0051252014](#)  
**Status:** **Active**  
**Overview:** LFH™ Interconnect System  
**Description:** 1.27mm Pitch LFH™ Matrix 50 Receptacle Cable Kit, Terminal Stick, 15 Circuits

**Documents:**

[3D Model](#) [Product Specification PS-70928 \(PDF\)](#)  
[Drawing \(PDF\)](#) [RoHS Certificate of Compliance \(PDF\)](#)

**General**

Product Family I/O Connectors  
Series 70985  
Application Wire-to-Board  
Comments Trim Length 3.30mm  
Component Type Receptacle  
Overview LFH™ Interconnect System  
Product Name LFH™  
Type N/A  
UPC 800755013528

**Physical**

Circuits (Loaded) 15  
Circuits (maximum) 15  
Lock to Mating Part None  
Material - Metal Beryllium Copper  
Material - Plating Mating Gold  
Material - Plating Termination Tin  
Net Weight 0.860/g  
Orientation Vertical  
PCB Retention N/A  
Packaging Type Tray  
Panel Mount No  
Pitch - Mating Interface 1.27mm  
Pitch - Termination Interface 1.27mm  
Plating min - Mating 0.762µm  
Plating min - Termination 2.540µm  
Polarized to Mating Part Yes  
Surface Mount Compatible (SMC) N/A  
Temperature Range - Operating -20°C to +80°C  
Termination Interface: Style Surface Mount  
Wire Size AWG 28, 30, 32, 34, 36

**Electrical**

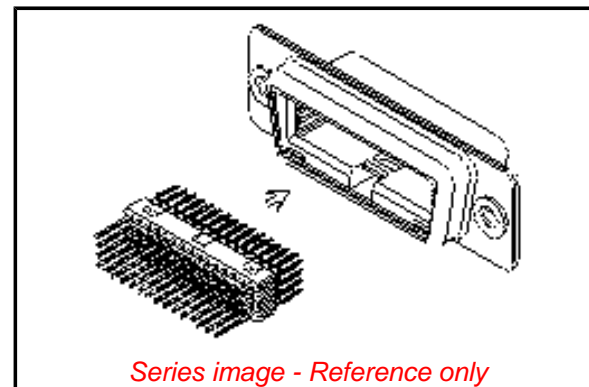
Current - Maximum per Contact 1.0A  
Shielded Yes  
Voltage - Maximum 40V

**Material Info**

Engineering Number 70985-1004

**Reference - Drawing Numbers**

Product Specification PS-70928, RPS-70928-002  
Sales Drawing SDA-70985-100\*



Series image - Reference only

**EU ELV**

**Not Relevant**

**EU RoHS**

**Compliant**

**REACH SVHC**

Not Contained Per -  
ED/21/2016 (20 June  
2016)

**Halogen-Free**

**Status**

**Low-Halogen**

**Need more information on product  
environmental compliance?**

Email [productcompliance@molex.com](mailto:productcompliance@molex.com)  
Please visit the [Contact Us](#) section for any  
non-product compliance questions.

China ROHS  
ELV

Green Image  
Not Relevant

**Search Parts in this Series**

[70985 Series](#)

**Mates With**

[70929](#)

**Application Tooling | FAQ**

*Tooling specifications and manuals are  
found by selecting the products below.  
Crimp Height Specifications are then  
contained in the Application Tooling  
Specification document.*

**Global**

**Description**

**Product #**

Terminal Stick  
Insertion Tool For  
LFH™ Series 71691  
and 70985

[0622001600](#)

**PLEASE CHECK [WWW.MOLEX.COM](http://WWW.MOLEX.COM) FOR LATEST PART INFORMATION**