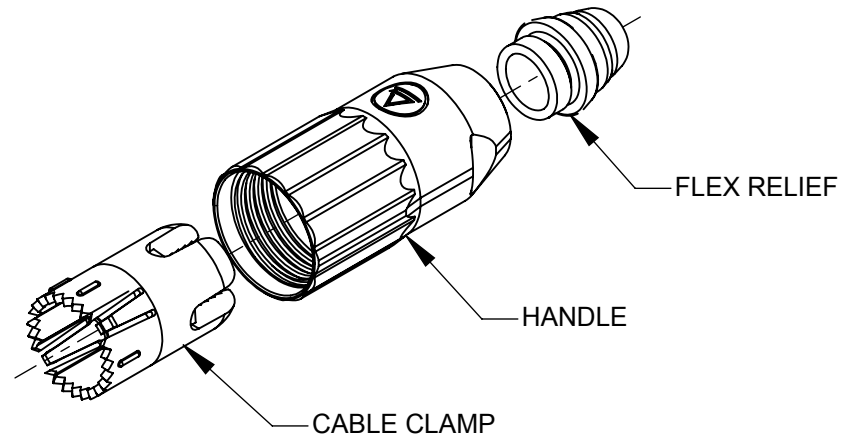


**AAA H**      **Z**  
 SERIES: \_\_\_\_\_  
 AAA HANDLE  
  
 HANDLE STYLE: \_\_\_\_\_  
 BLANK - METAL, NICKEL PLATE  
 WITH BLACK FLEX RELIEF  
 B - METAL, BLACK FINISH  
 WITH BLACK FLEX RELIEF  
 P - PLASTIC, BLACK  
 WITH BLACK FLEX RELIEF  
 W - METAL, WHITE FINISH  
 WITH WHITE FLEX RELIEF E  
  
 FLEX RELIEF STYLE: \_\_\_\_\_  
 BLANK - FLEX RELIEF I.D. 0.135 [3.4mm]  
 RECOMMENDED CABLE O.D. 0.100 - 0.220 [2.5mm - 5.6mm]  
 L - FLEX RELIEF I.D. 0.225 [5.7mm]  
 RECOMMENDED CABLE O.D. 0.220 - 0.285 [5.6mm - 7.2mm] D

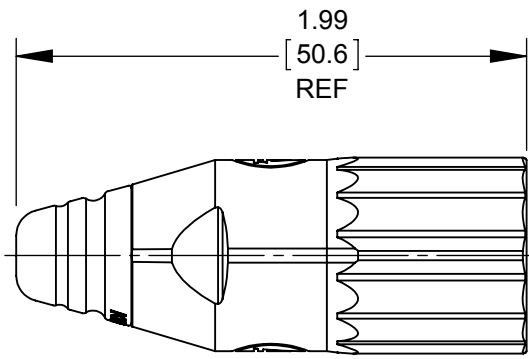
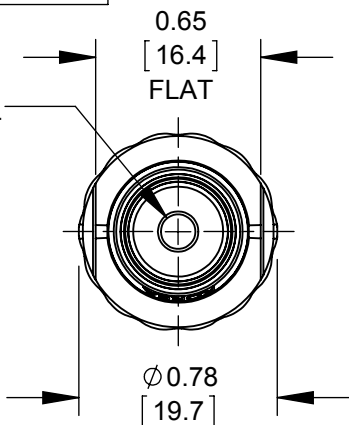


**NOTES:**

1. COMPONENTS ARE SHIPPED ASSEMBLED.
2. MATERIALS:  
 HANDLE METAL - ZINC ALLOY, NICKEL PLATED OR BLACK OR WHITE PAINTED  
 HANDLE PLASTIC - THERMOPLASTIC, BLACK  
 CABLE CLAMP - THERMOPLASTIC, BLACK  
 FLEX RELIEF - THERMOPLASTIC, BLACK OR WHITE
3. THIS PRODUCT IS RoHS COMPLIANT.



FLEX RELIEF HOLE I.D. SEE CHART



**CUSTOMER DRAWING**

★ STAR SYMBOL DENOTES CRITICAL DIMENSION					THIS DRAWING DESCRIBES A DESIGN CONSIDERED PROPRIETARY IN NATURE, DEVELOPED AND MANUFACTURED BY SWITCHCRAFT INC. AND IS RELEASED ON A CONFIDENTIAL BASIS FOR IDENTIFICATION PURPOSES ONLY.				
UNLESS OTHERWISE SPECIFIED					SIZE	WIDTH	MULT	LBS/M	TEMPER
E	27473	03/27/15	PC	TJK	FINISH			MATERIAL	
D	27081	01/25/13	BL	TJK	SPEC No.			SPEC No.	
C	25711	10-17-07	JGK	TJK	FIRST USED ON AAA3MZ			SCALE 1:0.75	
B	24588	11-13-03	JL	BRH	DATE DRAWN 03-06-03	BY BRH	CHKD BRH 8-11-03	APVD BRH 8-11-03	<b>Switchcraft</b> <sup>®</sup>
A	24446	8-11-03	JL	BRH					
REV	ECO NUMBER	DATE	BY	APVD	NAME AAA UNIVERSAL HANDLE			PART No. AAAHZ_SERIES	REV E
REVISIONS					DO NOT SCALE DRAWING				

1. ALL DIMENSIONS IN INCHES  
 - TWO PLACE DECIMALS ±0.01  
 - THREE PLACE DECIMALS ±0.005  
 - ANGLES ±1°  
 - ALL DIA. CONCENTRIC WITHIN 0.005 T.I.R.
2. FEATURES ON THE SAME CENTERLINE MUST BE ALIGNED WITHIN ±0.002
3. REMOVE ALL BURRS

