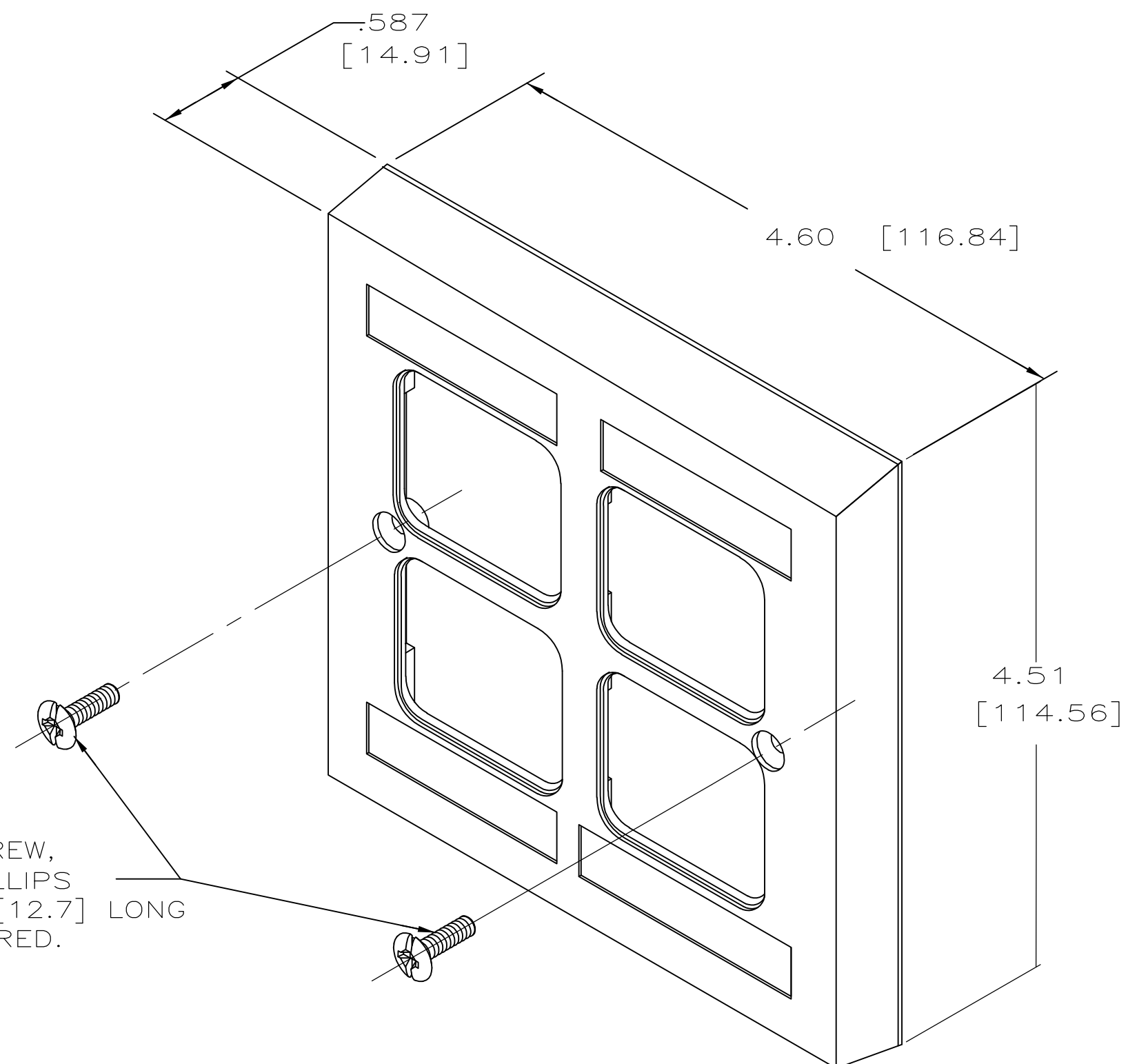


THIS DRAWING IS UNPUBLISHED. RELEASED FOR PUBLICATION
 © COPYRIGHT BY TYCO ELECTRONICS CORPORATION. ALL INTERNATIONAL RIGHTS RESERVED.

LOC	DIST	REVISIONS			
P	LTR	DESCRIPTION	DATE	DWN	APVD
HM	00	H	OBS -3,-4; REV ECO-09-025607	24NOV09	LH BM



- 1. MATERIAL: FACEPLATE- ABS MOLDING COMPOUND 94V-0 RATED, SEE TABLE FOR COLOR. SCREWS- ZINC PLATED CARBON STEEL WITH SCREW HEAD PAINTED, SEE TABLE FOR COLOR.
- 2. ALL DIMENSIONS SHOWN ARE MAXIMUM UNLESS OTHERWISE SPECIFIED.
- 3. THIS KIT SHIPPED NOT ASSEMBLED.
- 4. DIMENSIONS IN BRACKETS [] ARE IN MILLIMETERS.
- 5. ONE SHEET OF PHONE/DATA LABELS, NOT SHOWN, SHIPPED WITH EACH KIT.
- 6. STEEL CITY 4" SQUARE DEVICE COVER FOR TWO DEVICES - CATALOG SERIES 52-C (OR AMP APPROVED EQUIVALENT) IS RECOMMENDED FOR PROPER INSTALLATION.

	ELECTRIC IVORY	555670-6
	WHITE	555670-5
OBSOLETE	NEMA GRAY	555670-4
OBSOLETE	BLACK	555670-3
	LIGHT ALMOND	555670-1
	COLOR	PART NO.

CAD DRAWINGS
 THIS DRAWING WAS CREATED ON A COMPUTER AIDED DESIGN (CAD) SYSTEM. TO INSURE THE INTEGRITY OF THE DATA BASE ALL CHANGES/ REVISIONS MUST BE MADE ON THE CAD SYSTEM.

THIS DRAWING IS A CONTROLLED DOCUMENT.		DWN	S.T.WOOTEN	11-28-88	Tyco Electronics Corporation Harrisburg, PA 17105-3608		
DIMENSIONS: INCHES		CHK	B.FOX	12-14-88			
		TOLERANCES UNLESS OTHERWISE SPECIFIED:		APVD - NAME PRODUCT SPEC - APPLICATION SPEC - WEIGHT -			
MATERIAL -		FINISH -		SIZE A2 CAGE CODE 00779 C=555670			RESTRICTED TO -
0 PLC ± - 1 PLC ± - 2 PLC ± - 3 PLC ± - 4 PLC ± - ANGLES ± -		1 2		SCALE 1:1 SHEET 1 of 1 REV H			
CUSTOMER DRAWING							