

PLEASE CHECK WWW.MOLEX.COM FOR LATEST PART INFORMATION

Part Number: [0432496007](#)
Status: **Active**
Overview: [Modular Jacks and Plugs](#)
Description: [Modular Jack, Right Angle, Low Profile, 6/2, Panel Stops](#)

Documents:

[3D Model](#) [Packaging Specification PK-43249-004 \(PDF\)](#)
[Drawing \(PDF\)](#) [RoHS Certificate of Compliance \(PDF\)](#)
[Product Specification PSX-43249 \(PDF\)](#)

Agency Certification

CSA LR19980
 UL E107635

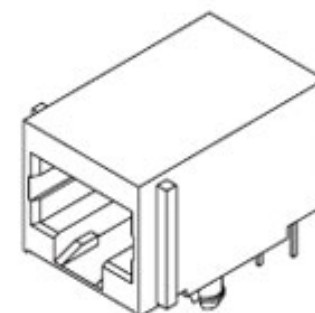
General

Product Family [Modular Jacks/Plugs](#)
 Series [43249](#)
 Component Type [PCB Jack](#)
 Magnetic [No](#)
 Overview [Modular Jacks and Plugs](#)
 Performance Category [3](#)
 Power over Ethernet (PoE) [N/A](#)
 Product Name [RJ11](#)
 UPC [800756064031](#)

Physical

Boot Color [N/A](#)
 Color - Resin [Black](#)
 Durability (mating cycles max) [500](#)
 Flammability [94V-0](#)
 Inverted / Top Latch [No](#)
 Jack Height [12.83mm](#)
 Keying to Mating Part [None](#)
 Lightpipes/LEDs [None](#)
 Material - Metal [Phosphor Bronze](#)
 Material - Plating Mating [Gold](#)
 Material - Plating Termination [Tin](#)
 Material - Resin [High Temperature Thermoplastic](#)
 Orientation [Right Angle \(Side Entry\)](#)
 PCB Locator [Yes](#)
 PCB Retention [Yes](#)
 PCB Thickness - Recommended [1.57mm](#)
 Packaging Type [Tray](#)
 Panel Mount [With Flange](#)
 Pitch - Mating Interface [1.02mm](#)
 Pitch - Termination Interface [1.27mm](#)
 Plating min - Mating [1.270µm](#)
 Plating min - Termination [2.540µm](#)
 Ports [1](#)
 Positions / Loaded Contacts [6/2](#)
 Surface Mount Compatible (SMC) [No](#)
 Temperature Range - Operating [-40°C to +85°C](#)
 Termination Interface: Style [Through Hole](#)
 Waterproof / Dustproof [No](#)
 Wire/Cable Type [N/A](#)

Electrical



Series image - Reference only

EU ELV

Not Relevant

EU RoHS

Not Reviewed

REACH SVHC

Not Reviewed

Halogen-Free

Status

Not Reviewed

Need more information on product environmental compliance?

Email productcompliance@molex.com
 Please visit the [Contact Us](#) section for any non-product compliance questions.

China ROHS

Not Reviewed

ELV

Not Relevant

Search Parts in this Series

[43249 Series](#)

Mates With

[FCC 68 Plugs](#)

Current - Maximum per Contact	1.5A
Grounding to PCB	No
Grounding to Panel	None
Shielded	Yes
Voltage - Maximum	150V AC (RMS)

Solder Process Data

Lead-freeProcess Capability	WAVE
-----------------------------	------

Material Info

Old Part Number	A432496007
-----------------	------------

Reference - Drawing Numbers

Packaging Specification	PK-43249-004
Product Specification	PSX-43249
Sales Drawing	SDA-43249

This document was generated on 06/09/2016

PLEASE CHECK WWW.MOLEX.COM FOR LATEST PART INFORMATION