

PLEASE CHECK WWW.MOLEX.COM FOR LATEST PART INFORMATION

Part Number: **0681470215**
Status: **Active**
Overview: Automotive Bulb Sockets
Description: Wedge Bulb Socket, Single Housing Assembly, W5W, Sealed, Gray

Documents:

[3D Model](#) [Packaging Specification PK-49505-001-001 \(PDF\)](#)
[Drawing \(PDF\)](#) [RoHS Certificate of Compliance \(PDF\)](#)
[Product Specification PS-68147-001 \(PDF\)](#)

General

Product Family	Other Sockets
Series	<u>68147</u>
Comments	Sealed bulb socket for W5W
Component Type	Socket
Overview	<u>Automotive Bulb Sockets</u>
Product Name	Wedge Bulb Socket
UPC	800756100036

Physical

Circuits (Loaded)	2
Circuits (maximum)	2
Color - Resin	Gray
Durability (mating cycles max)	Contact Molex
Entry Angle	Vertical
Keying to Mating Part	None
Material - Resin	Nylon
Net Weight	5.667/g
PCB Locator	No
PCB Retention	N/A
Packaging Type	Bag
Pitch - Mating Interface	N/A
Temperature Range - Operating	-40°C to +85°C
Termination Interface: Style	Through Hole

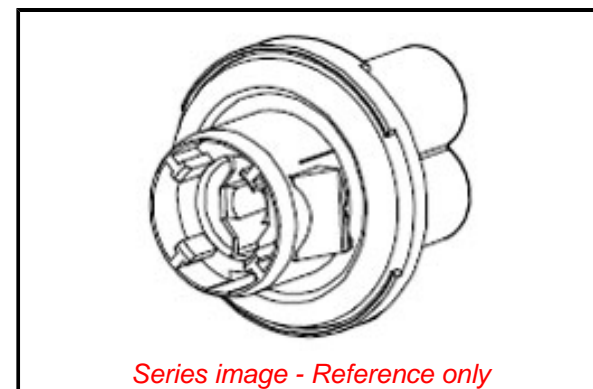
Electrical

Current - Maximum per Contact	7.0A
Voltage - Maximum	12V

Material Info

Reference - Drawing Numbers

Packaging Specification	PK-49505-001-001
Product Specification	PS-68147-001
Sales Drawing	SD-68147-002



Series image - Reference only

EU ELV

Compliant

EU RoHS

Compliant

REACH SVHC

Not Contained Per
-ED/01/2018 (15
January 2018)

Halogen-Free

Status

Low-Halogen

Need more information on product environmental compliance?

Email productcompliance@molex.com
Please visit the [Contact Us](#) section for any non-product compliance questions.

China ROHS	Not Relevant
ELV	Compliant
RoHS Phthalates	Not Contained

Search Parts in this Series

68147 Series

Mates With

Wedge Base Bulb

Use With

Wedge Terminal [35477-9002](#)
Wedge Terminal Wire Seal [49505-9001](#)

PLEASE CHECK WWW.MOLEX.COM FOR LATEST PART INFORMATION