

**PLEASE CHECK WWW.MOLEX.COM FOR LATEST PART INFORMATION**

**Part Number:** **0355330200**  
**Status:** **Active**  
**Overview:** Automotive Bulb Sockets  
**Description:** Bulb Socket Single Housing, Type A

**Documents:**

[3D Model](#) [Packaging Specification PK-35533-001-001 \(PDF\)](#)  
[Drawing \(PDF\)](#) [RoHS Certificate of Compliance \(PDF\)](#)  
[Product Specification PS-35532-001-001 \(PDF\)](#)

**General**

Product Family	Other Sockets
Series	<u>35533</u>
Comments	A-Type
Component Type	Socket
Overview	<u>Automotive Bulb Sockets</u>
Product Name	Bulb Socket
UPC	822348052899

**Physical**

Circuits (Loaded)	0
Circuits (maximum)	2
Color - Resin	Natural
Durability (mating cycles max)	50
Entry Angle	Vertical
Keying to Mating Part	None
Material - Resin	Nylon
Net Weight	5.521/g
PCB Locator	No
PCB Retention	N/A
Packaging Type	Bag
Pitch - Mating Interface	N/A
Temperature Range - Operating	-40°C to +105°C

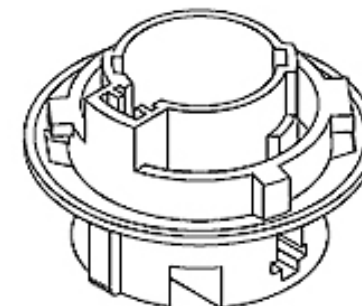
**Electrical**

Current - Maximum per Contact	7.0A
Voltage - Maximum	300V AC (RMS)/DC

**Material Info**

**Reference - Drawing Numbers**

Packaging Specification	PK-35533-001-001
Product Specification	PS-35532-001-001
Sales Drawing	SD-35533-001



*Series image - Reference only*

**EU ELV**

**Compliant**

**EU RoHS**

**Compliant**

**REACH SVHC**

Not Contained Per -  
ED/30/2017 (7 July  
2017)

**Halogen-Free**

**Status**

**Not Relevant**

**Need more information on product environmental compliance?**

Email [productcompliance@molex.com](mailto:productcompliance@molex.com)  
Please visit the [Contact Us](#) section for any non-product compliance questions.

China ROHS	Not Relevant
ELV	Compliant
RoHS Phthalates	Not Contained

**Search Parts in this Series**

[35533 Series](#)

**Use With**

[35438](#) Positive Terminal for PT Bulb Socket,  
[35439](#) Earth Terminal for PT Bulb Socket