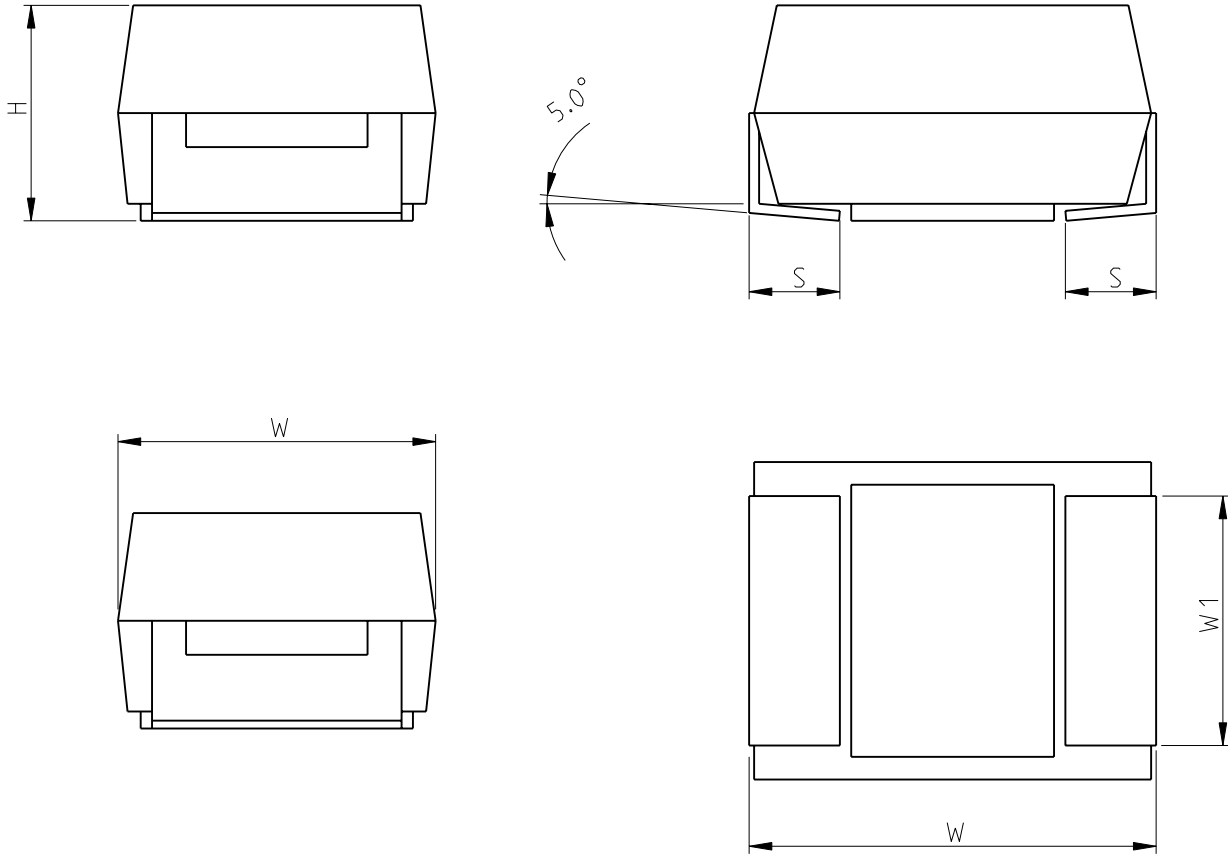
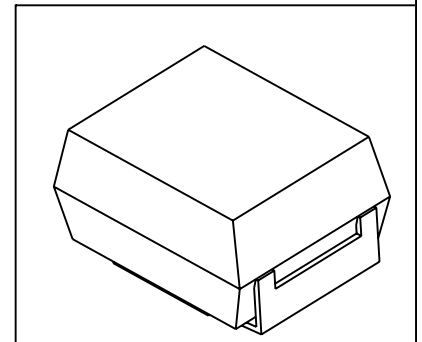


LOC	DIST	REVISIONS					
E	B	P	LTR	DESCRIPTION	DATE	DWN	APVD
			BA	NEW RELEASE	23DEC2010	PT	St.P

FOR FURTHER INFORMATION SEE DATA SHEET FOR
SERIES SM - SMD MOULDED POWER RESISTOR



CASE CODE	DIMENSIONS (mm)				
	L	W	H	S	W1
P	2.0±0.2	1.3±0.2	1.2±0.2	0.5±0.3	1.2±0.1
A	3.2±0.2	1.6±0.2	1.6±0.2	0.8±0.3	1.2±0.1
B	3.5±0.2	2.8±0.2	1.9±0.2	0.8±0.3	2.2±0.1
C	6.0±0.3	3.2±0.3	2.5±0.3	1.3±0.3	2.2±0.1
D	7.3±0.3	4.3±0.3	2.8±0.3	1.3±0.3	2.4±0.1



2008

RELEASED FOR PUBLICATION

THIS DRAWING IS UNPUBLISHED.

BY TYCO ELECTRONICS CORPORATION. ALL RIGHTS RESERVED.
COPYRIGHT 2008

DIMENSIONS: mm	DWN PARUSURAM.T 23DEC2010	MATERIAL -	FINISH -
TOLERANCES UNLESS OTHERWISE SPECIFIED:	CHK ALLAN.P 23DEC2010	Tyco Electronics Corporation Dorcan, Swindon, SN3 5HH	
0 PLC ±0.2 1 PLC ±0.1 2 PLC ± 3 PLC ± 4 PLC ± ANGLES ±5°	APVD STEPHEN.P 23DEC2010		
	PRODUCT SPEC -	NAME LOW ESR TANTALUM CAPACITORS SERIES TYTR	
	APPLICATION SPEC -	SIZE A 4	CAGE CODE 00779
	WEIGHT -	DRAWING NO C-1879057	RESTRICTED TO -
CUSTOMER DRAWING		SCALE 10:1	SHEET 1 OF 1
			REV BA