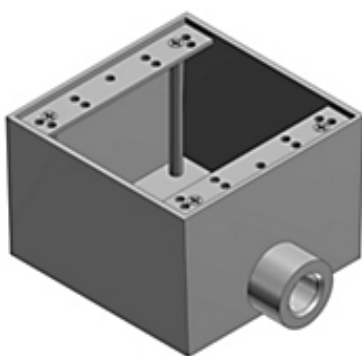




Actual



Representative

Catalog Number: 2ADFS-1
Product ID: 7TAD013620R0000
UPC Number: 04226931512
Status: Active

1/2 Inch Deep 2 Gang Device Box, Die Cast Aluminum, Dead End, 1 Hole, Raintight When Used with Appropriate Cover

- Die cast construction, boxes with securely fastened mounting plates and industrial designed covers combine to produce a rugged protective enclosure for devices on industrial and OEM applications.
- Clean cover edges provide good gasket sealing.
- Precision NPT threaded hubs allow trouble-free field installation for rigid or IMC conduit.
- Clear UL, CSA and cubic content markings speed approval by inspectors.
- Device box external hub design provides increased wiring room.
- Spacious, accessible wiring chamber provides a convenient location to maintain or change a system, pull conductors and make splices.
- Junction for branch conduits.
- Aluminum boxes can be used with steel rigid conduit.

North American Specifications (UNSPSC)

UNSPSC	39121315 Cast device box
IGCC	4447 Cast device box
Brand Name	T&B
Type	2 Gang, Deep Device Box, Dead End
Special Features	Copper-Free Aluminum, Stainless Steel Cover Springs and Hinge Pins Provide Increased Corrosion Resistance
Application	Industrial Grade Device Boxes and Raintight Covers Protect Wiring Devices, Switches, Electronic Components, and Terminal Blocks In Dry, Damp and Wet Locations
Standard	UL E28688
Material	Aluminum Die Cast
Size	1/2 Inch
Cubic Capacity	54 Inches

European Specifications (ETIM)

ETIM	EC002600 Box/housing for surface mounting on the wall/ceiling
Shape	Rectangular
For tubediameter	Other
Number of inlets	1
Type of housing feed-through	Thread
Material	Aluminium
Colour	Grey

Packaging

Outer Quantity	3
Outer Dimensions (inches)	14.56x5.63x4.25
Weight Uom	1.53 lbs. Each

Documents / Support Tools

Technical Drawing / Data Sheet US	Available on Website
-----------------------------------	----------------------

For further technical assistance, please contact us...

Thomas & Betts - USA
8155 T&B Blvd.
Memphis, TN 38125
www.tnb.com

T&B Technical Support
MS 3B-50
8155 T&B Blvd.
Memphis, TN 38125

Hours: 7AM - 6PM CDT
Monday-Friday
Phone: (888) 862-3289
Fax: (901) 252-1321
Email: techsupport@tnb.com