

PLEASE CHECK WWW.MOLEX.COM FOR LATEST PART INFORMATION

Part Number: [0923150826](#)
Status: **Active**
Overview: [Picoflex Ribbon-Cable Connectors](#)
Description: [Picoflex PF-50 IDT-to-IDT, 8 Circuits, 0.26m Length](#)

Documents:

[3D Model](#) [Product Specification PS-99020-0011 \(PDF\)](#)
[Drawing \(PDF\)](#) [RoHS Certificate of Compliance \(PDF\)](#)

General

| | |
|-------------------------------|--|
| Product Family | Cable Assemblies |
| Series | 92315 |
| Application Tooling Part Link | 62100-6000 |
| Application Tooling Part Link | 62100-6010 |
| Assembly Configuration | Dual Ended Connectors |
| Connector to Connector | Picoflex IDT-to-IDT |
| Overview | Picoflex Ribbon-Cable Connectors |
| Product Name | Picoflex |
| UPC | 800754771276 |

Physical

| | |
|--------------------------------|-------------------|
| Cable Length | 0.26m |
| Circuits (Loaded) | 8 |
| Color - Resin | Natural |
| Gender | Female-Female |
| Lock to Mating Part | None |
| Material - Metal | Phosphor Bronze |
| Material - Plating Mating | Tin |
| Material - Plating Termination | Tin |
| Material - Resin | Polyester |
| Net Weight | 1.280/g |
| Packaging Type | Bag |
| Pitch - Mating Interface | 1.27mm |
| Plating min - Mating | 2.032µm |
| Plating min - Termination | 2.032µm |
| Single Ended | No |
| Termination Interface: Style | IDT or Pierce |
| Waterproof / Dustproof | No |
| Wire Insulation Diameter | N/A |
| Wire Size AWG | 28 |
| Wire/Cable Type | PVC, Ribbon Cable |

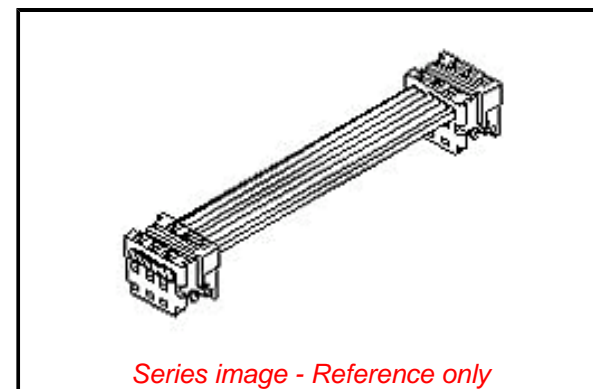
Electrical

| | |
|-------------------------------|------|
| Current - Maximum per Contact | 1.2A |
| Shielded | No |
| Voltage - Maximum | 250V |

Material Info

Reference - Drawing Numbers

| | |
|-----------------------|---------------|
| Product Specification | PS-99020-0011 |
| Sales Drawing | SD-92315-001 |



Series image - Reference only

EU ELV

Not Relevant

EU RoHS

Compliant

REACH SVHC

Not Contained Per
-ED/01/2018 (15
January 2018)

Halogen-Free

Status

Not Low-Halogen

Need more information on product environmental compliance?

Email productcompliance@molex.com
Please visit the [Contact Us](#) section for any non-product compliance questions.

| | |
|-----------------|---------------|
| China ROHS | Green Image |
| ELV | Not Relevant |
| RoHS Phthalates | Not Contained |

Search Parts in this Series

[92315 Series](#)

Mates With

Picoflex PF-50 Header [90325](#) , [90800](#) ,
[90779](#) , [90715](#) , [90814](#)