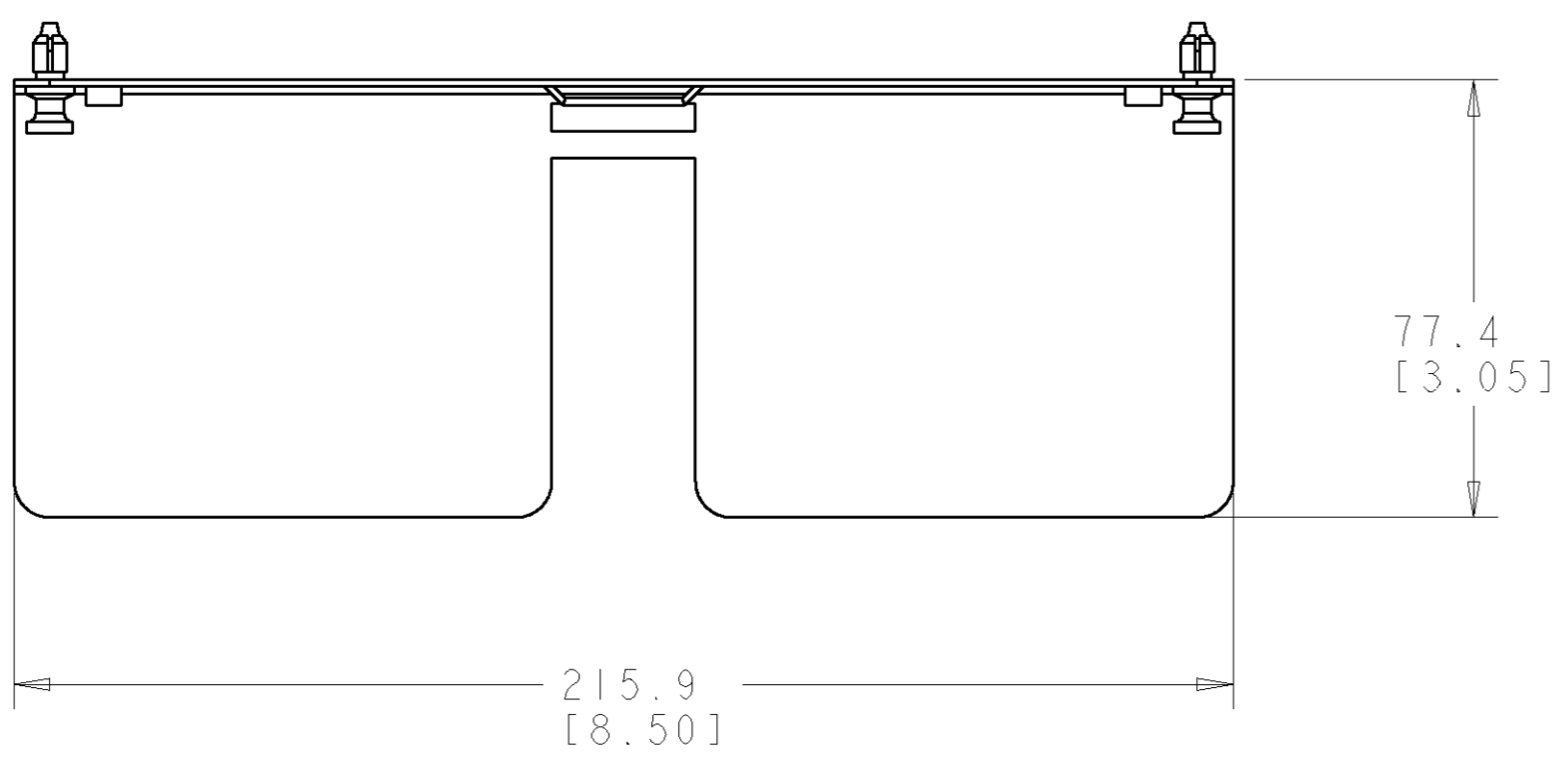


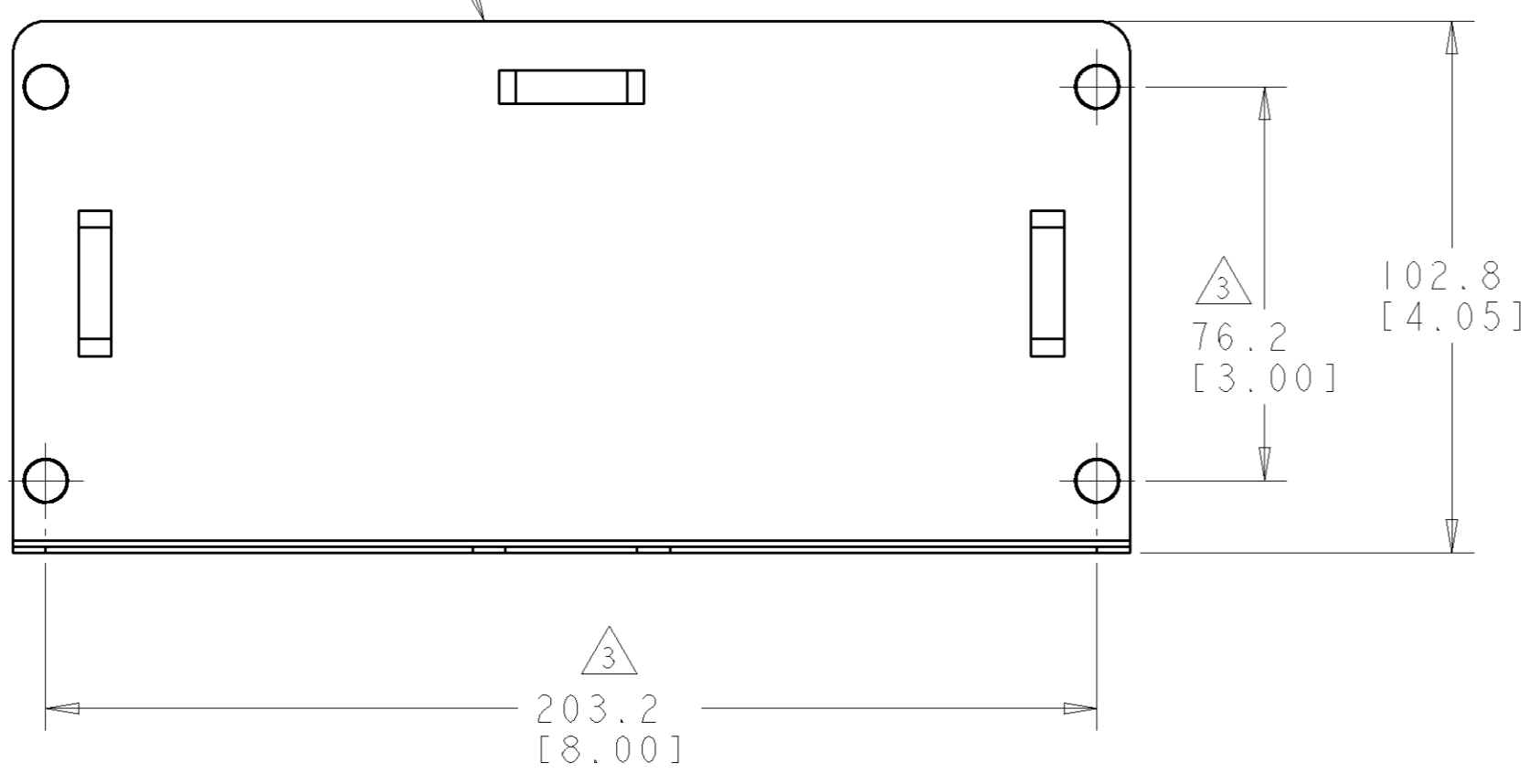
THIS DRAWING IS UNPUBLISHED. RELEASED FOR PUBLICATION 20
 © COPYRIGHT 20 BY TYCO ELECTRONICS CORPORATION. ALL RIGHTS RESERVED.

LOC	DIST	REVISIONS					
HM	00	P	LTR	DESCRIPTION	DATE	DWN	APVD
			A	RLSD; NPR NSD03-002	30JAN03	GG	JC

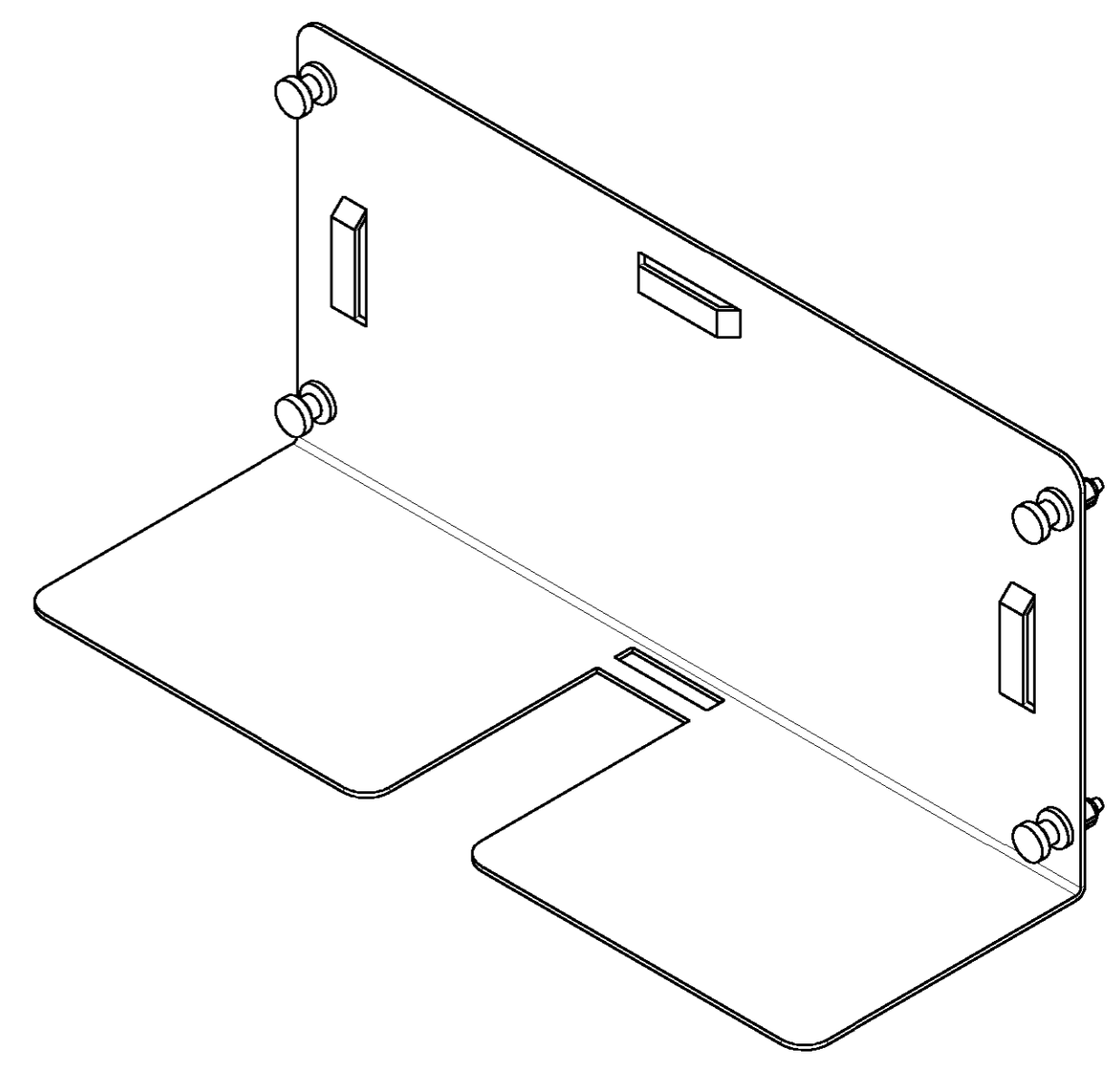


NETWORK MOUNTING SHELF

NYLATCH PUSH/PULL PIN
 QUANTITY 4
 SHOWN CLOSED



- 1 MATERIAL: MOUNTING SHELF - CARBON STEEL, BLACK.
 NYLATCH PUSH/PULL PIN - NYLON, BLACK.
 GROMMET - POLYCARBONATE, BLACK.
- 2. ALL DIMENSIONS SHOWN ARE NOMINAL.
- 3 HOLE PATTERN DIMENSIONS FOR MOUNTING.



1479437-1
 PART NUMBER

GROMMET
 QUANTITY 4

<small>THIS DRAWING IS A CONTROLLED DOCUMENT FOR TYCO ELECTRONICS CORPORATION IT IS SUBJECT TO CHANGE AND THE CONTROLLING ENGINEERING ORGANIZATION SHOULD BE CONTACTED FOR THE LATEST REVISION.</small>		DWN G. GARRETT 30JAN03 CHK J. CALLOWAY 30JAN03 APVD J. CALLOWAY 30JAN03	tyco Electronics Tyco Electronics Harrisburg, PA 17105-3608
DIMENSIONS: MM [INCHES]	TOLERANCES UNLESS OTHERWISE SPECIFIED: 0 PLC ± 1 PLC ± 2 PLC ± 3 PLC ± 4 PLC ± ANGLES ± FINISH	PRODUCT SPEC - APPLICATION SPEC - WEIGHT -	NAME NETWORK MOUNTING SHELF ASSEMBLY SIZE A2 CAGE CODE 00779 DRAWING NO. 1479437 RESTRICTED TO - SCALE 3:4 SHEET 1 OF 1 REV A
MATERIAL 1 -		CUSTOMER DRAWING	