

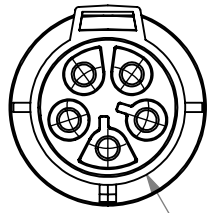
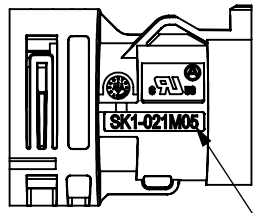
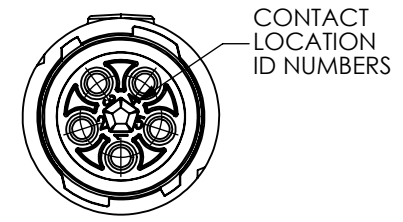
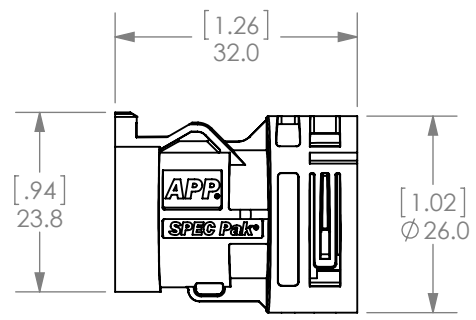
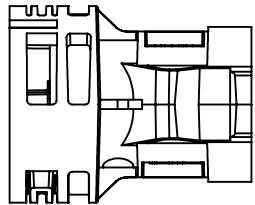
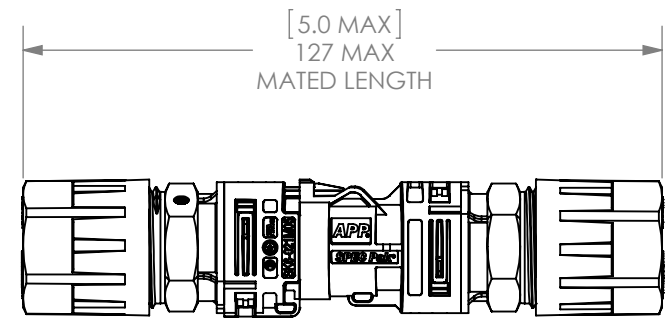
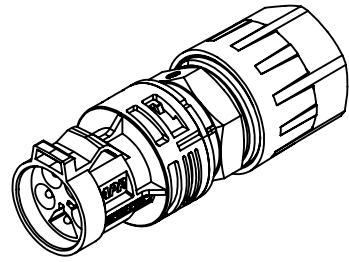
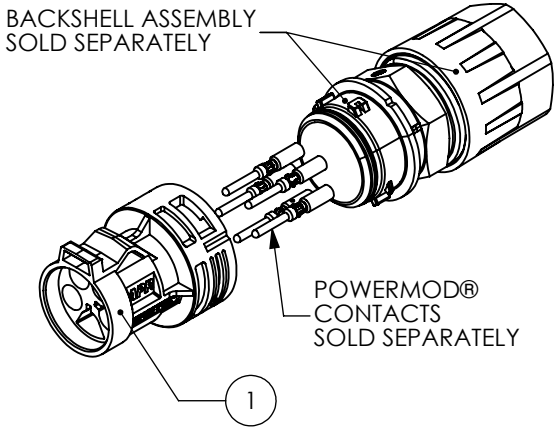
8 7 6 5 4 3 2 1

THE INFORMATION CONTAINED IN THIS DRAWING IS THE SOLE PROPERTY OF ANDERSON POWER PRODUCTS. ANY REPRODUCTION IN PART OR WHOLE WITHOUT THE WRITTEN PERMISSION OF ANDERSON POWER PRODUCTS IS PROHIBITED.

Copyright 2013

ANDERSON POWER PRODUCTS RESERVES THE RIGHT TO ALTER PRODUCT TYPES, THEIR TECHNICAL DATA, DIMENSION, STYLE AND ACCESSORIES WITHOUT PRIOR NOTIFICATION.

COMPONENTS INCLUDED		
ITEM	QTY	DESCRIPTION
1	1	IN-LINE RECEPTACLE SHELL (MALE)



PART NUMBER (SEE SHEET 2 FOR KEYING)

[.81] Ø20.5

PART NO: SK1-021M05
SEE SHEET 2 FOR ADDITIONAL KEYS

- NOTES:
 1. MATERIAL: PC, BLACK
 2. FOR USE WITH POWERMOD® PIN CONTACTS (SOLD SEPARATELY)
 3. REFER TO ASSEMBLY INSTRUCTIONS 1S6617

DIMENSIONS ARE IN:	MM [INCH]	APPROVALS			ANDERSON POWER PRODUCTS		
UNLESS OTHERWISE STATED		DRAWN	10/7/2013		TITLE		
TOLERANCES:		NTS		5-POSITION MINI-PL SPEC PAK® IN-LINE RECEPTACLE SHELL (MALE)			
DECIMALS (INCH)	DECIMALS (MM)	CHECKED	1/23/2014				
.XX ±.02	.X ±.5	MM					
SURFACE FINISH:		MFG APPRV	1/24/2014	SIZE			
MACHINED	3.2µ [128µin]	CHB					
MOLDED	1.6µ [64µin]	QC APPRV	1/23/2014	NONE		115307S1	1
MATERIAL:		ENG APPRV	1/23/2014	SCALE		CADFILE	SHEET
SEE NOTE 1		CMS		NONE		04071	1 OF 2
FINISH:		-CAD GENERATED DRAWING- DO NOT MANUALLY UPDATE DO NOT SCALE					

1	ECRN-15568	TWE	2/6/2014
REV.	DESCRIPTION	APPRV	DATE
REVISIONS			

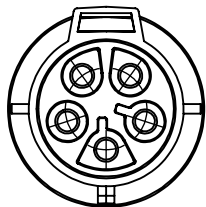
8 7 6 5 4 3 2 1

8 7 6 5 4 3 2 1

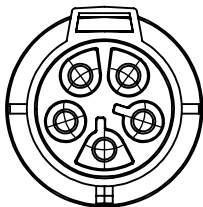
THE INFORMATION CONTAINED IN THIS DRAWING IS THE SOLE PROPERTY OF ANDERSON POWER PRODUCTS. ANY REPRODUCTION IN PART OR WHOLE WITHOUT THE WRITTEN PERMISSION OF ANDERSON POWER PRODUCTS IS PROHIBITED.

Copyright 2013

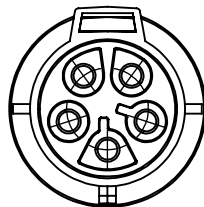
ANDERSON POWER PRODUCTS RESERVES THE RIGHT TO ALTER PRODUCT TYPES, THEIR TECHNICAL DATA, DIMENSION, STYLE AND ACCESSORIES WITHOUT PRIOR NOTIFICATION.



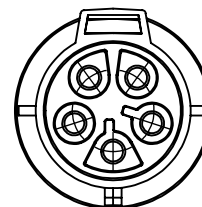
SK1-021M05



SK1-A21M05



SK1-B21M05



SK1-F21M05

NOTE:
CONTACT FACTORY FOR
ADDITIONAL KEYS

DIMENSIONS ARE IN:		MM [INCH]	APPROVALS			ANDERSON POWER PRODUCTS	
UNLESS OTHERWISE STATED			DRAWN			TITLE	
TOLERANCES:			NTS	10/7/2013	5-POSITION MINI-PL SPEC PAK® IN-LINE RECEPTACLE SHELL (MALE)		
DECIMALS (INCH) DECIMALS (MM) ANGLES			CHECKED				
.XX ± .02	.X ± .5	±2°	MM	1/23/2014			
SURFACE FINISH:			MFG APPRV				
MACHINED	3.2µ [128µin]	✓	CHB	1/24/2014			
MOLDED	1.6µ [64µin]	✓	QC APPRV				
MATERIAL:			UFN	1/23/2014	SIZE		
SEE NOTE 1			ENG APPRV				
FINISH:			CMS	1/23/2014	NONE	115307S1	1
			-CAD GENERATED DRAWING- DO NOT MANUALLY UPDATE DO NOT SCALE		SCALE	CADFILE	SHEET
					NONE	04071	2 OF 2

-	SEE SHEET 1	-	-
REV.	DESCRIPTION	APPRV	DATE
REVISIONS			

8 7 6 5 4 3 2 1