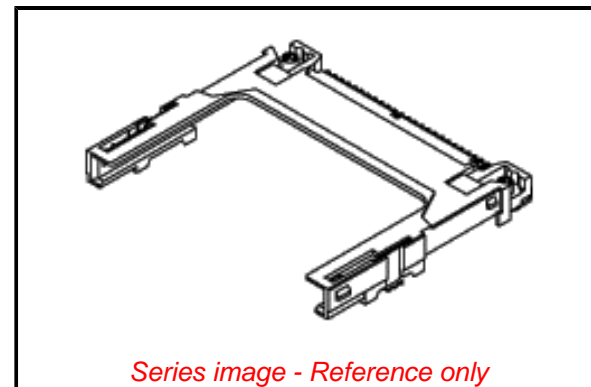


**PLEASE CHECK WWW.MOLEX.COM FOR LATEST PART INFORMATION**

**Part Number:** [0553595029](#)  
**Status:** **Active**  
**Overview:** [CompactFlash™](#)  
**Description:** 1.27mm Pitch CF Card Header- Right Angle, Surface Mount Bottom Mounting For Type I and II Cards

**Documents:**

<a href="#">3D Model</a>	<a href="#">Product Specification PS-55546-005-001 (PDF)</a>
<a href="#">Drawing (PDF)</a>	<a href="#">Product Specification PS-55546-006-001 (PDF)</a>
<a href="#">Product Specification PS-55359-016-001 (PDF)</a>	<a href="#">Product Specification PS-55861-004-001 (PDF)</a>
<a href="#">Product Specification PS-55359-017-001 (PDF)</a>	<a href="#">RoHS Certificate of Compliance (PDF)</a>



**Agency Certification**

UL E29179

**General**

Product Family	Memory Card Sockets
Series	<a href="#">55359</a>
Overview	<a href="#">CompactFlash™</a>
Product Name	CompactFlash
Style	Guide and Holder
UPC	822348186280

**Physical**

Card Detection Switch	N/A
Card Entry Location	Front
Circuits (Loaded)	50
Durability (mating cycles max)	10000
Ejector Button Side	N/A
Flammability	94V-0
Material - Contact	Copper Alloy
Material - Plating Mating	Gold over Nickel
Material - Plating Termination	Tin
Net Weight	3290.278/mg
PCB Retention	Yes
Packaging Type	Tray
Pitch - Mating Interface	1.27mm
Temperature Range - Operating	-20°C to +90°C
Termination Interface: Style	Surface Mount

**Electrical**

Current - Maximum per Contact	0.5A
Voltage - Maximum	100V AC (RMS)
Voltage Key	3.3V, 5.0V

**Material Info**

**Reference - Drawing Numbers**

Product Specification	PS-55359-016-001, PS-55359-017-001, PS-55546-005-001, PS-55546-006-001, PS-55861-004-001
Sales Drawing	SD-55359-015

**EU ELV**

**Not Relevant**

**EU RoHS**

**Compliant**

**REACH SVHC**

Not Contained Per  
-ED/01/2018 (15  
January 2018)

**Halogen-Free**

**Status**

**Low-Halogen**

**Need more information on product environmental compliance?**

Email [productcompliance@molex.com](mailto:productcompliance@molex.com)  
Please visit the [Contact Us](#) section for any non-product compliance questions.

China ROHS	Green Image
ELV	Not Relevant
RoHS Phthalates	Not Contained

**Search Parts in this Series**

[55359](#) Series

**Mates With**

[67003](#) , [67114](#) , Industry Standard CF Card

**Use With**

[55356](#) Ejector, [55365](#) Ejector