

PLEASE CHECK WWW.MOLEX.COM FOR LATEST PART INFORMATION

Part Number: **0365380010**
Status: **Active**
Overview: MLX Power Connectors
Description: 6.35mm Pitch MLX Power Connector Header, Vertical, with Compliant Polarizing Peg, 4 Circuits, Unreinforced Polyester 94V-0, White

Documents:

3D Model	Packaging Specification PK-43255-001-001 (PDF)
Drawing (PDF)	Packaging Specification PK-43255-003-001 (PDF)
Product Specification PSX-42002-0001-001 (PDF)	RoHS Certificate of Compliance (PDF)

General

Product Family	PCB Headers
Series	36538
Application	Power, Wire-to-Board
Overview	<u>MLX Power Connectors</u>
Product Name	MLX
UPC	756054324769

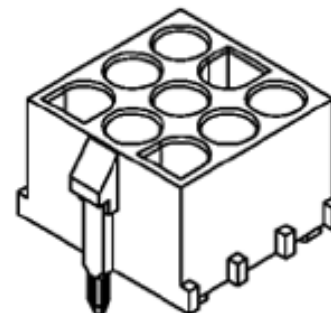
Physical

Breakaway	No
Circuits (Loaded)	4
Circuits (maximum)	4
Circuits Detail	With Compliant Polarizing Peg
Color - Resin	Natural
Durability (mating cycles max)	50
First Mate / Last Break	No
Glow-Wire Capable	No
Guide to Mating Part	No
Keying to Mating Part	None
Lock to Mating Part	Yes
Material - Metal	Phosphor Bronze
Material - Plating Mating	Tin-Lead
Material - Resin	Polyester
Number of Rows	1
Orientation	Vertical
PC Tail Length	4.30mm
PCB Locator	Yes
PCB Retention	Yes
PCB Thickness - Recommended	1.57mm
Packaging Type	Bag
Pitch - Mating Interface	6.35mm
Pitch - Termination Interface	6.35mm
Plating min - Mating	0.508µm
Polarized to Mating Part	Yes
Polarized to PCB	Yes
Shrouded	Fully
Stackable	No
Surface Mount Compatible (SMC)	No
Temperature Range - Operating	-55°C to +105°C
Termination Interface: Style	Through Hole

Electrical

Current - Maximum per Contact	12.0A
Voltage - Maximum	600V

Material Info



Series image - Reference only

EU ELV

Not Reviewed

EU RoHS

Not Reviewed

REACH SVHC

Not Reviewed

Halogen-Free

Status

Not Reviewed

Need more information on product environmental compliance?

Email productcompliance@molex.com
Please visit the [Contact Us](#) section for any non-product compliance questions.

China ROHS	Not Reviewed
ELV	Not Reviewed
RoHS Phthalates	Not Reviewed

Search Parts in this Series

[36538 Series](#)

Reference - Drawing Numbers

Packaging Specification

Product Specification

Sales Drawing

PK-43255-001-001, PK-43255-003-001

PSX-42002-0001-001

SD-36538-001

This document was generated on 07/11/2018

PLEASE CHECK WWW.MOLEX.COM FOR LATEST PART INFORMATION