

APL3015F3C

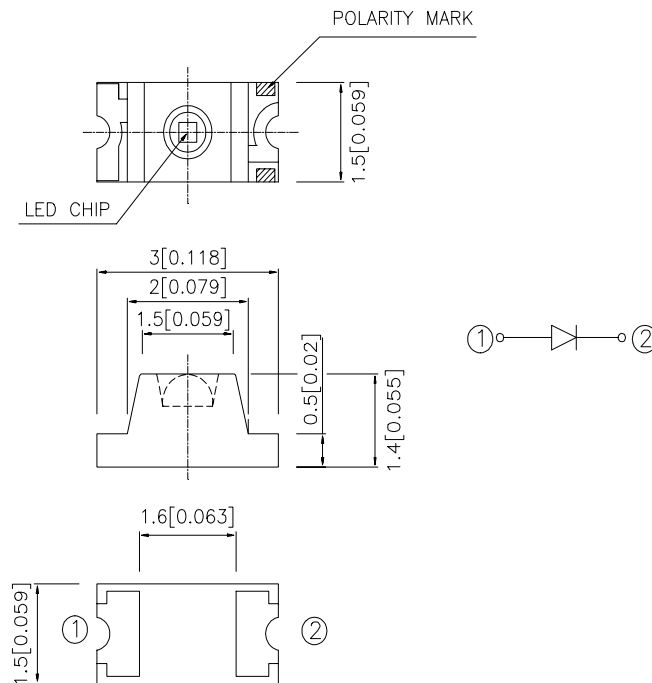
Features

- 3.0mmx1.5mm SMT LED, 1.4mm THICKNESS.
- LOW POWER CONSUMPTION.
- WIDE VIEWING ANGLE.
- IDEAL FOR BACKLIGHT AND INDICATOR.
- VARIOUS COLORS AND LENS TYPES AVAILABLE.
- PACKAGE : 2000PCS / REEL.

Description

F3 Made with Gallium Arsenide Infrared Emitting diodes.

Package Dimensions



Notes:

1. All dimensions are in millimeters (inches).
2. Tolerance is ± 0.2 (0.0079") unless otherwise noted.
3. Specifications are subject to change without notice.

Selection Guide

| Part No. | Dice | Lens Type | Po (mW/sr) @ 20 mA | | Viewing Angle |
|------------|------|-------------|-----------------------|------|------------------|
| | | | Min. | Typ. | θ1/2 |
| APL3015F3C | GaAs | WATER CLEAR | 0.4 | 1.2 | 70° |

Note:

1. θ1/2 is the angle from optical centerline where the luminous intensity is 1/2 the optical centerline value.

Electrical / Optical Characteristics at T_A=25°C

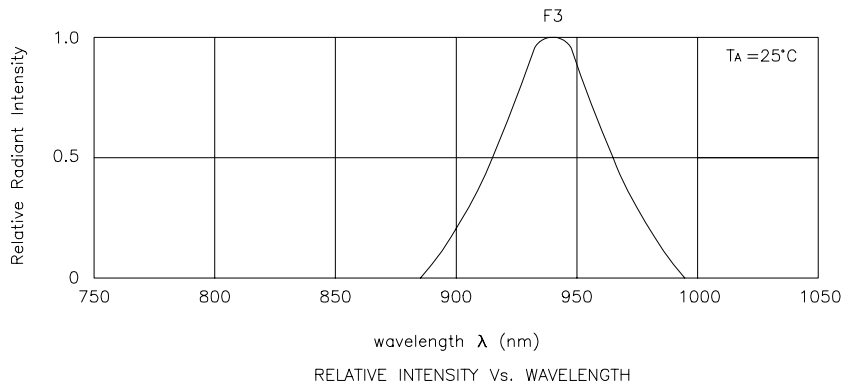
| Item | P/N | Symbol | Typ. | Max. | Unit | Condition |
|--------------------------|-----|-------------------|------|------|------|----------------------------|
| Forward Voltage | F3 | V _F | 1.2 | 1.6 | V | I _F =20mA |
| Reverse Current | F3 | I _R | - | 10 | μA | V _R =5V |
| Capacitance | F3 | C | 90 | - | pF | V _F =0V; f=1MHz |
| Peak Wavelength | F3 | λ _P | 940 | - | nm | I _F =20mA |
| Spectral Line Half-width | F3 | Δλ _{1/2} | 50 | - | nm | I _F =20mA |

Absolute Maximum Ratings at T_A=25°C

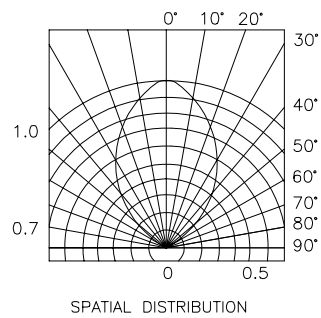
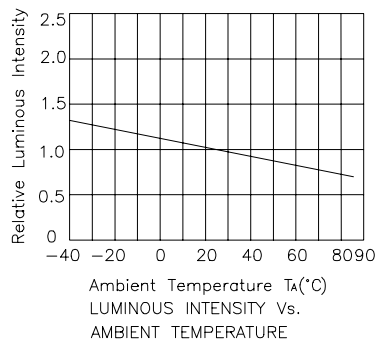
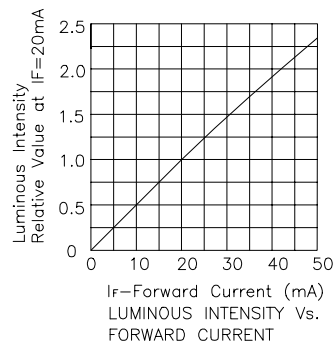
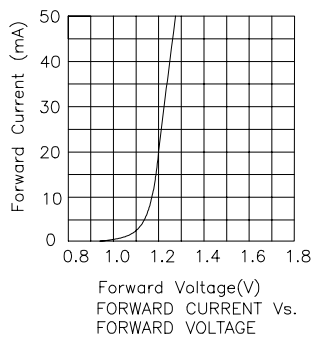
| Item | Symbol | F3 | Units |
|--------------------------------|-----------------|-----------------|-------|
| Power Dissipation | P _T | 100 | mW |
| DC Forward Current | I _F | 50 | mA |
| Peak Forward Current [1] | i _{FS} | 1.2 | A |
| Reverse Voltage | V _R | 5 | V |
| Operating /Storage Temperature | | -40° C To +85°C | |

Note:

1. 1/100 Duty Cycle, 10us Pluse Width.

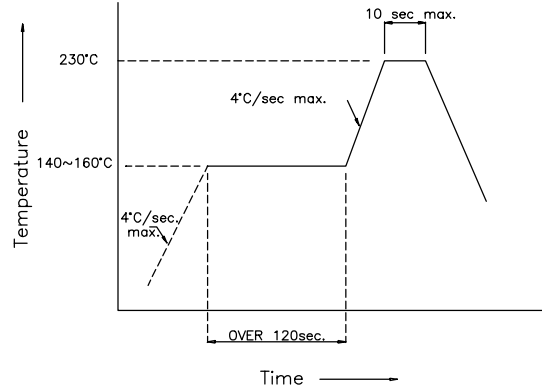


APL3015F3C

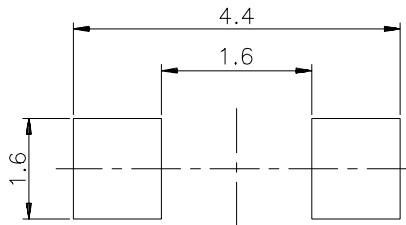


APL3015F3C SMT Reflow Soldering Instructions

Number of reflow process shall be less than 2 times and cooling process to normal temperature is required between first and second soldering process.



Recommended Soldering Pattern (Units : mm)



Tape Specifications (Units : mm)

