

**PLEASE CHECK WWW.MOLEX.COM FOR LATEST PART INFORMATION**

**Part Number:** [0345860001](#)  
**Status:** **Active**  
**Overview:** [MX123 Sealed Connection System](#)  
**Description:** [MX123 0.64mm Grommet Seal Plug](#)

**Documents:**

<a href="#">Drawing (PDF)</a>	<a href="#">Packaging Specification PK-31300-348 (PDF)</a>
<a href="#">Product Specification PS-34566-0000-001 (PDF)</a>	<a href="#">RoHS Certificate of Compliance (PDF)</a>

**General**

Product Family	Accessories
Series	<a href="#">34586</a>
Component Type	Voiding Key
Overview	<a href="#">MX123 Sealed Connection System</a>
Product Name	MX123
UPC	822348345656

**Physical**

Circuits (Loaded)	1
Circuits (maximum)	1
Color - Resin	Gray
Lock to Mating Part	No
Material - Resin	Nylon Alloy
Net Weight	0.064/g
Packaging Type	Bag

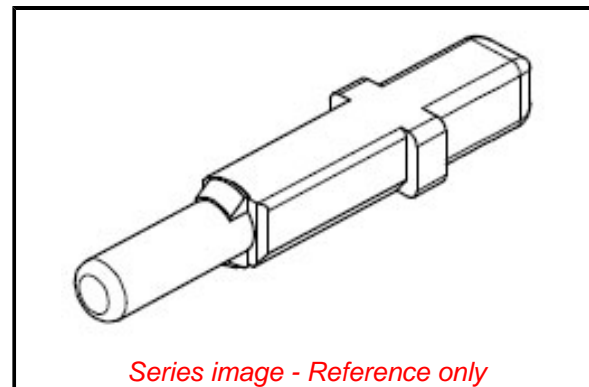
**Solder Process Data**

Lead-freeProcess Capability	N/A
-----------------------------	-----

**Material Info**

**Reference - Drawing Numbers**

Packaging Specification	PK-31300-348
Product Specification	PS-34566-0000-001
Sales Drawing	SD-34586-001



**EU ELV**

**Compliant**

**EU RoHS**

**Compliant**

**REACH SVHC**

Not Contained Per  
-ED/01/2018 (15  
January 2018)

**Halogen-Free**

**Status**

**Not Relevant**

**Need more information on product environmental compliance?**

Email [productcompliance@molex.com](mailto:productcompliance@molex.com)  
Please visit the [Contact Us](#) section for any non-product compliance questions.

China ROHS	Not Relevant
ELV	Compliant
RoHS Phthalates	Not Contained

**Search Parts in this Series**

[34586 Series](#)

**Use With**

MX123 Female Receptacle Housing [34566](#) ,  
[34576](#)

**PLEASE CHECK WWW.MOLEX.COM FOR LATEST PART INFORMATION**