

PLEASE CHECK WWW.MOLEX.COM FOR LATEST PART INFORMATION

Part Number: [0511171605](#)
Status: **Active**
Description: 4.00mm Wire-to-Wire Terminal Position Assurance (TPA) Retainer, 16 Circuits

Documents:

3D Model	Application Specification AS-51115-001-001 (PDF)
Drawing (PDF)	RoHS Certificate of Compliance (PDF)
Product Specification PS-51115-001 (PDF)	

General

Product Family	Accessories
Series	51117
Component Type	Terminal Position Assurance
Product Name	TPA - Term Pos Assurance
UPC	800754367738

Physical

Circuits (Loaded)	16
Circuits (maximum)	16
Color - Resin	Gray
Material - Resin	Polyester
Net Weight	933.000/mg
Packaging Type	Bag

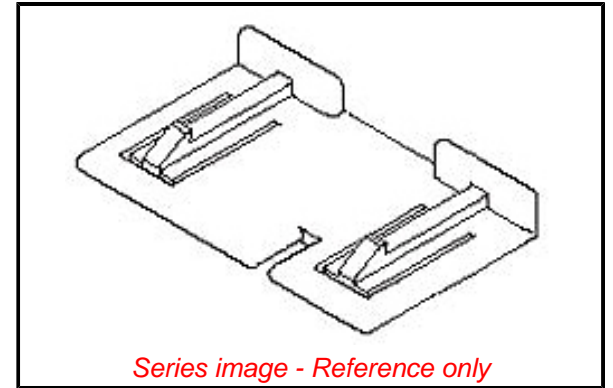
Solder Process Data

Lead-freeProcess Capability	N/A
-----------------------------	-----

Material Info

Reference - Drawing Numbers

Application Specification	AS-51115-001-001
Product Specification	PS-51115-001
Sales Drawing	SD-51117-**0*



EU ELV

Compliant

EU RoHS

Compliant

REACH SVHC

Not Contained Per
-ED/01/2018 (15
January 2018)

Halogen-Free

Status

Not Low-Halogen

Need more information on product environmental compliance?

Email productcompliance@molex.com
Please visit the [Contact Us](#) section for any non-product compliance questions.

China ROHS

ELV

RoHS Phthalates

China RoHS

Green Image

Compliant

Not Contained

Search Parts in this Series

[51117 Series](#)