

7 6 5 4 3 2 1

E

D

C

B

A

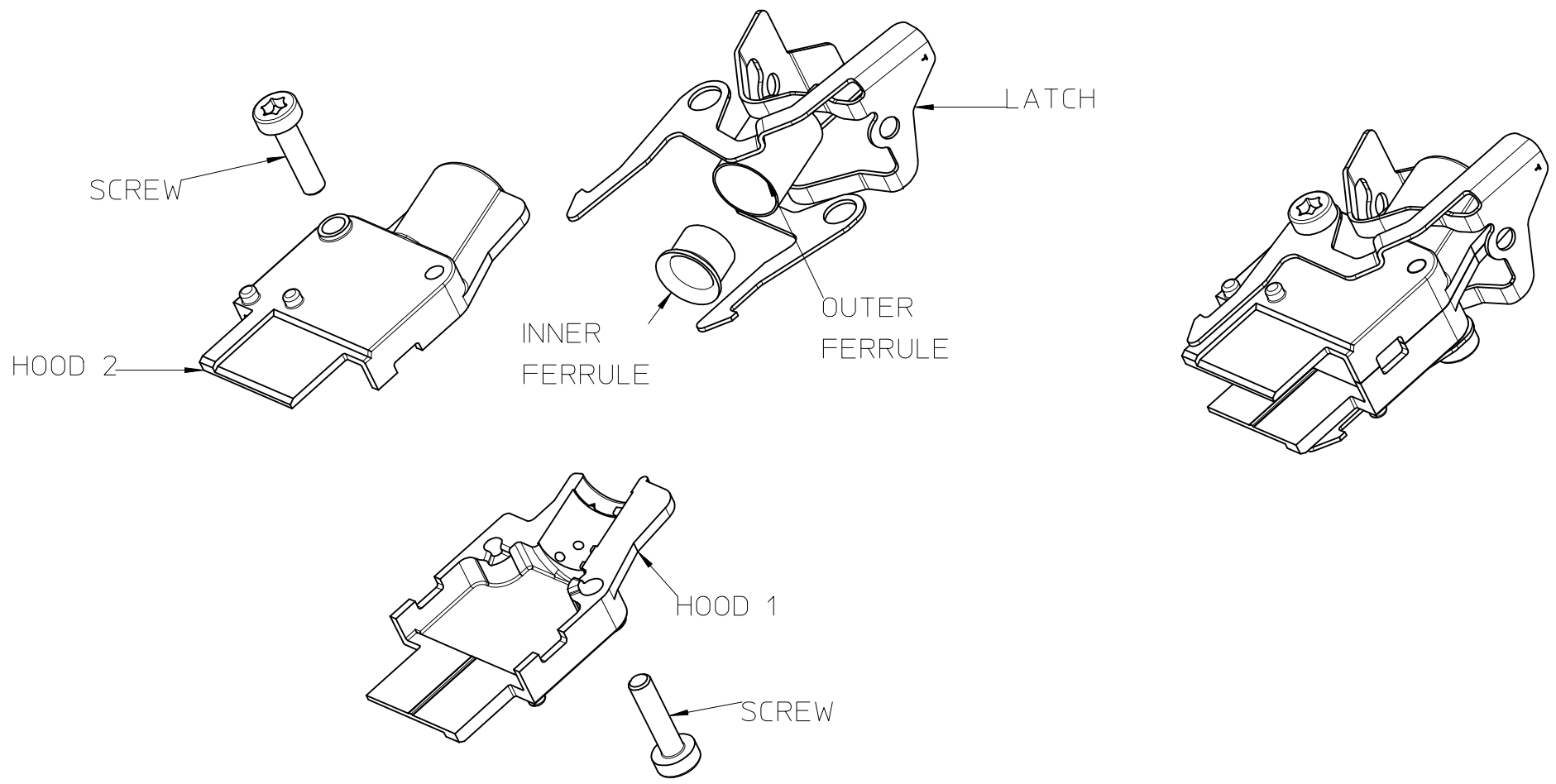
E

D

C

B

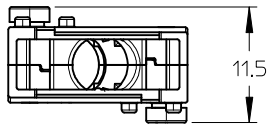
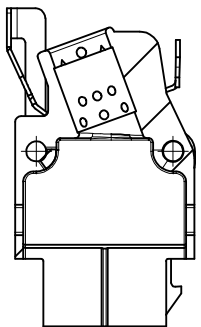
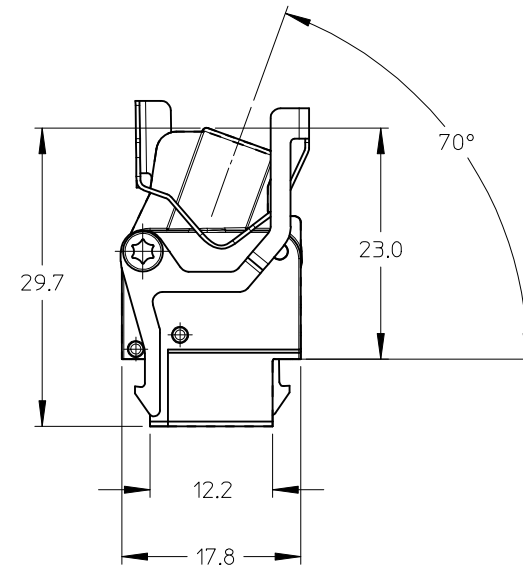
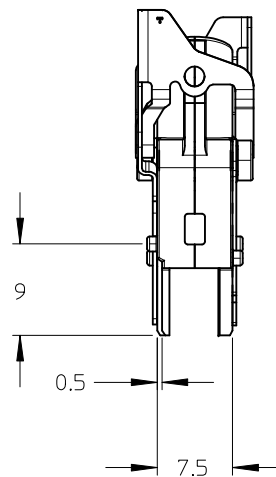
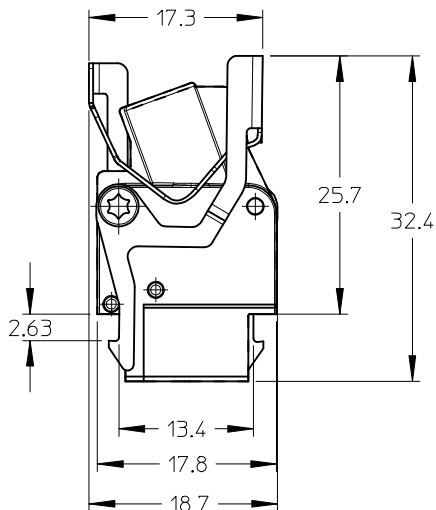
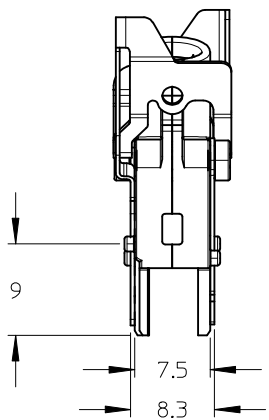
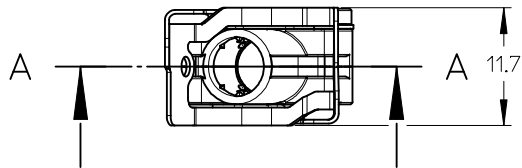
A



EC NO: MG2003-0358 DRWN: EROEZE 2003/04/10 CHKD: TREMHOF 2003/04/10 APPR: TREMHOF 2003/04/14	QUALITY SYMBOLS	GENERAL TOLERANCES (UNLESS SPECIFIED)		SCALE 5:1	DESIGN UNITS METRIC	THIRD ANGLE PROJECTION	REVISE ON CAD ONLY
	▴ -0 ▽ -0		mm	INCH	DIMENSION STYLE MM ONLY		TITLE EMILY HOOD KIT (LATCH, FERRULES)
		4 PLACES	± ---	± ---	DRAWN BY TREMHOF	DATE 2000/12/19	
		3 PLACES	± ---	± ---	CHECKED BY HKONRAD	DATE 2000/12/19	
	2 PLACES	± 0.05	± ---	APPROVED BY KNOLLER		MOLEX INCORPORATED MATERIAL NO. 85375-0003 DOCUMENT NO. SD-85375-001 SHEET NO. 1 OF 3	
	1 PLACE	± 0.10	± ---	DATE 2000/12/19			
	ANGULAR ± .5 °		DRAFT WHERE APPLICABLE		THIS DRAWING CONTAINS INFORMATION THAT IS PROPRIETARY TO MOLEX INCORPORATED AND SHOULD NOT BE USED WITHOUT WRITTEN PERMISSION		
	MUST REMAIN WITHIN DIMENSIONS				A4		

6 5 4 3 2 1

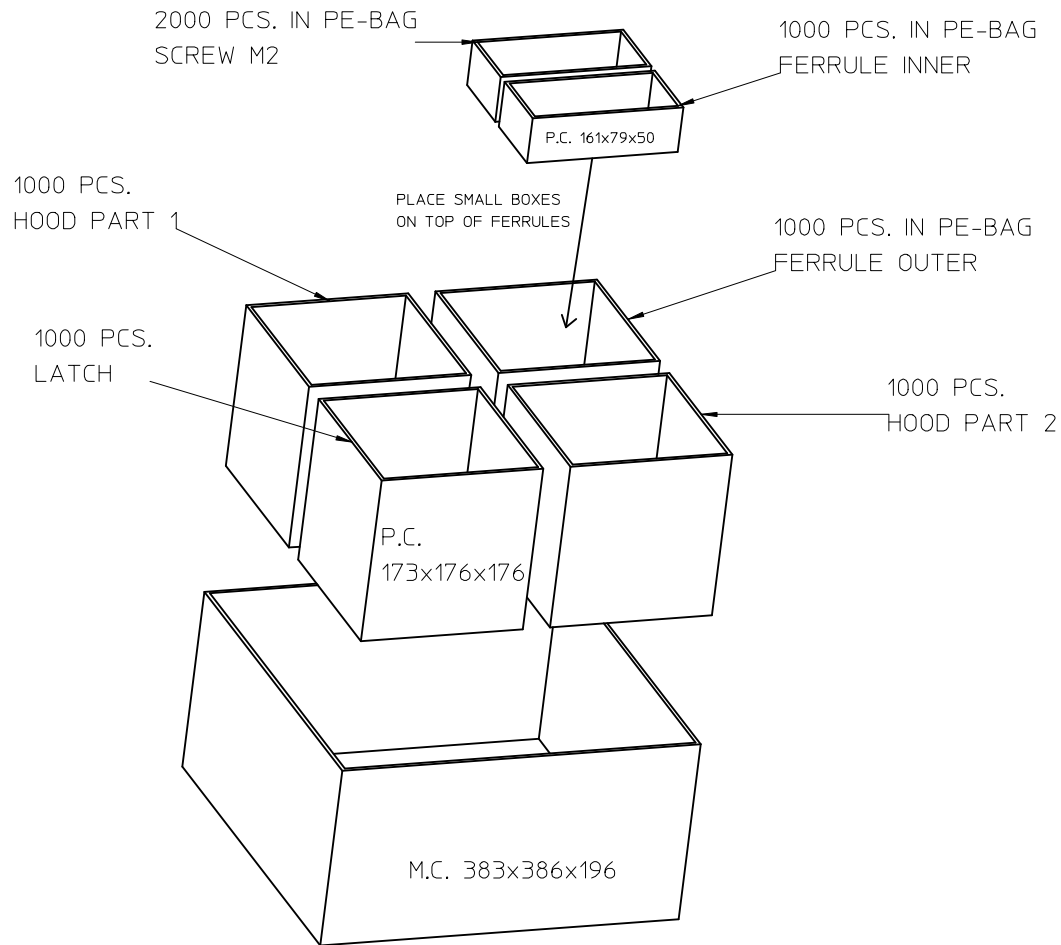
10 9 8 7 6 5 4 3 2 1



A-A

EC NO: MG2003-0358 DRWN: EROE2DE 2003/04/10 CHKD: TREMHOF 2003/04/10 APPR: TREMHOF 2003/04/14	QUALITY SYMBOLS	GENERAL TOLERANCES (UNLESS SPECIFIED)		SCALE 2:1	DESIGN UNITS METRIC	THIRD ANGLE PROJECTION	REVISE ON CAD ONLY
	-0 C=0	4 PLACES	± ---	± ---	DIMENSION STYLE MM ONLY		TITLE EMILY HOOD KIT (LATCH, FERRULES)
		3 PLACES	± ---	± ---	DRAWN BY TREMHOF	DATE 2000/12/19	
		2 PLACES	± 0.05	± ---	CHECKED BY HKONRAD	DATE 2000/12/19	MOLEX INCORPORATED MATERIAL NO. 85375-0003 DOCUMENT NO. SD-85375-001 SHEET NO. 2 OF 3
1 PLACE	± 0.10	± ---	APPROVED BY KNOLLER	DATE 2000/12/19	THIS DRAWING CONTAINS INFORMATION THAT IS PROPRIETARY TO MOLEX INCORPORATED AND SHOULD NOT BE USED WITHOUT WRITTEN PERMISSION		
REV 4	DESCRIPTION	ANGULAR ± .5 °		DRAFT WHERE APPLICABLE MUST REMAIN WITHIN DIMENSIONS		A3	

9 8 7 6 5 4 3 2 1



EC NO: MG2003-0358 DRWN: EROE ZDE 2003/04/10 CHKD: TREMHOF 2003/04/10 APPR: TREMHOF 2003/04/14	QUALITY SYMBOLS	GENERAL TOLERANCES (UNLESS SPECIFIED)		SCALE 1:1	DESIGN UNITS METRIC	THIRD ANGLE PROJECTION	REVISE ON CAD ONLY
	DESCRIPTION ▽ - 0 ∇ - 0		mm	INCH	DIMENSION STYLE		TITLE EMILY HOOD KIT (LATCH, FERRULES)
		4 PLACES	± ---	± ---	MM ONLY		
		3 PLACES	± ---	± ---	DRAWN BY	DATE	
	2 PLACES	± 0.05	± ---	TREMHOF	2000/12/19	MOLEX INCORPORATED	
	1 PLACE	± 0.10	± ---	CHECKED BY	DATE		
		ANGULAR ± .5 °		HKONRAD	2000/12/19	MATERIAL NO. 85375-0003 DOCUMENT NO. SD-85375-001 SHEET NO. 3 OF 3	
	DRAFT WHERE APPLICABLE		APPROVED BY	DATE			
4	REV	MUST REMAIN WITHIN DIMENSIONS		KNOLLER	2000/12/19	THIS DRAWING CONTAINS INFORMATION THAT IS PROPRIETARY TO MOLEX INCORPORATED AND SHOULD NOT BE USED WITHOUT WRITTEN PERMISSION	