



Main

Range of product	Zelio Time
Product or component type	Electronic timing relay
Electrical connection	8 pin plug-in sub-base
Discrete output type	Relay
Contacts type and composition	2 C/O timed contacts AgNi (cadmium free)
Component name	RE48
Time delay type	A
Time delay range	0.02...1.2 s 0.05...3 s 0.2...12 s 0.5...30 s 2...120 h 2...120 min 2...120 s 5...300 h 5...300 min 5...300 s 0.2...12 h 0.2...12 min 0.5...30 h 0.5...30 min
[Us] rated supply voltage	24...240 V AC/DC 50/60 Hz
Voltage range	0.85...1.1 Us AC 0.9...1.1 Us DC
[In] rated current	5 A

Complementary

Product front plate size	48 x 48 mm
Control type	Selector switch on front panel
Housing material	Self-extinguishing
Repeat accuracy	+/- 0.2 % of the maximum setting value conforming to IEC 61812-1
Temperature drift	+/- 0.02 %/°C of the maximum setting value conforming to IEC 61812-1
Voltage drift	+/- 0.2 %/V of the maximum setting value at 48...240 V +/- 1 %/V of the maximum setting value at 24...48 V
Setting accuracy of time delay	+/- 5 % of full scale at 25 °C conforming to IEC 61812-1
Minimum pulse duration	20 ms

Reset time	>= 25 ms on de-energisation
Pick up duration	55 ms
On-load factor	100 %
Power consumption in VA	1.1 VA at 24 V 4.8 VA at 240 V
Power consumption in W	1.7 W at 240 V 0.5 W at 24 V
Breaking capacity	1250 VA
Minimum switching current	100 mA
Maximum switching current	5 A
Maximum switching voltage	250 V AC/DC
Electrical durability	100000 cycles
Mechanical durability	30000000 cycles
Output voltage	240 V at 5 A AC-12 30 V at 2 A DC-13 240 V at 1.5 A AC-15
Marking	CE
Surge withstand	1 kV differential mode conforming to IEC 61000-4-5 level 3 2 kV common mode conforming to IEC 61000-4-5 level 3
Mounting support	Base mounted: socket Panel mounted: system supplied with the product
Local signalling	1 LED yellow output relay state LED indicator green flashing: relay energised timing in progress LED indicator green on steady: relay energised, no timing in progress
Product weight	0.14 kg

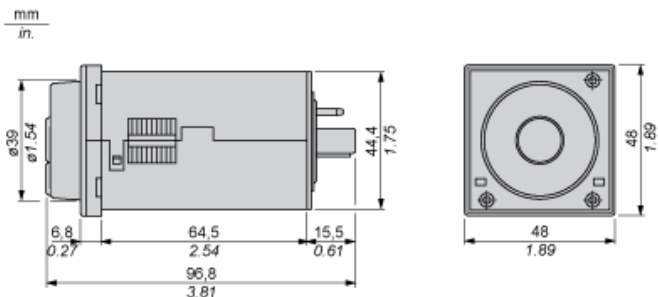
Environment

Humidity drift	+/- 0.05 %/%RH of the maximum setting value conforming to IEC 61812-1
Immunity to microbreaks	< 10 ms
Dielectric strength	1 kV at 1 mA/1 minute conforming to IEC 61812-1
Protection against electric shocks	4 kV class III conforming to IEC 60664-1 4 kV class III conforming to IEC 61812-1
Standards	73/23/EEC 89/336/EEC 93/68/EEC EN 50081-1/2 EN 50082-1/2 IEC 60669-2-3 IEC 61812-1
Product certifications	CSA C-Tick cULus GL UL
Ambient air temperature for storage	-40...70 °C
Ambient air temperature for operation	-20...50 °C
IP degree of protection	IP40 housing conforming to IEC 60529 IP50 front face conforming to IEC 60529
Vibration resistance	0.35 mm 10...55 Hz conforming to IEC 60068-2-6
Relative humidity	93 % without condensation conforming to IEC 60068-2-3
Resistance to electrostatic discharge	6 kV at in contact conforming to EN/IEC 61000-4-2 level 3 8 kV at in air conforming to EN/IEC 61000-4-2 level 3
Resistance to electromagnetic fields	10 V/m 26 MHz to 1 GHz conforming to IEC 61000-4-3 level 3
Resistance to fast transients	2 kV capacitive connecting clip conforming to EN/IEC 61000-4-4 level 4 4 kV direct conforming to EN/IEC 61000-4-4 level 4
Immunity to radioelectric fields	10 V at 0.15...80 MHz conforming to EN/IEC 61000-4-6 level 3
Immunity to voltage dips	30 % for 10 ms conforming to EN/IEC 61000-4-11 60 % for 100 ms conforming to EN/IEC 61000-4-11 95 % for 5 s conforming to EN/IEC 61000-4-11
Disturbance radiated/conducted	Class B at 0.15...30 MHz conforming to EN 55022 (EN 55011 group 1)

Contractual warranty

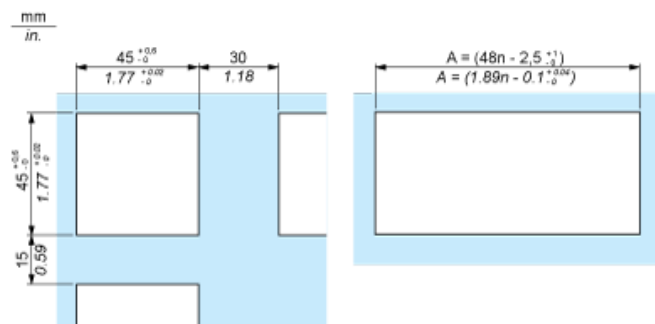
Warranty period	18 months
-----------------	-----------

Width 48 mm



Panel Cut-Out and Mounting

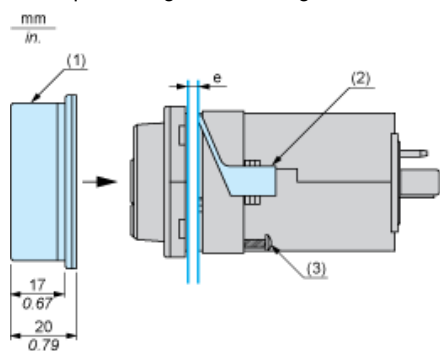
Panel Cut-Out



n Number of devices mounted side-by-side

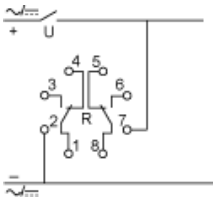
Mounting

Cover positioning and mounting



- e Panel thickness
- 1 Protective cover
- 2 Panel mounting frame
- 3 Locating screw

Wiring Diagram



Function A : Power on Delay Relay

Description

The timing period T begins on energisation. After timing, the output closes. The second output is instantaneous.



Legend

Relay de-energised

Relay energised

Output open

Output closed

C Control contact

G Gate

R Relay or solid state output

R1/R2 2 timed outputs

R2 inst. The second output is instantaneous if the right position is selected

T Timing period

Ta - Adjustable On-delay

Tr - Adjustable Off-delay

U Supply