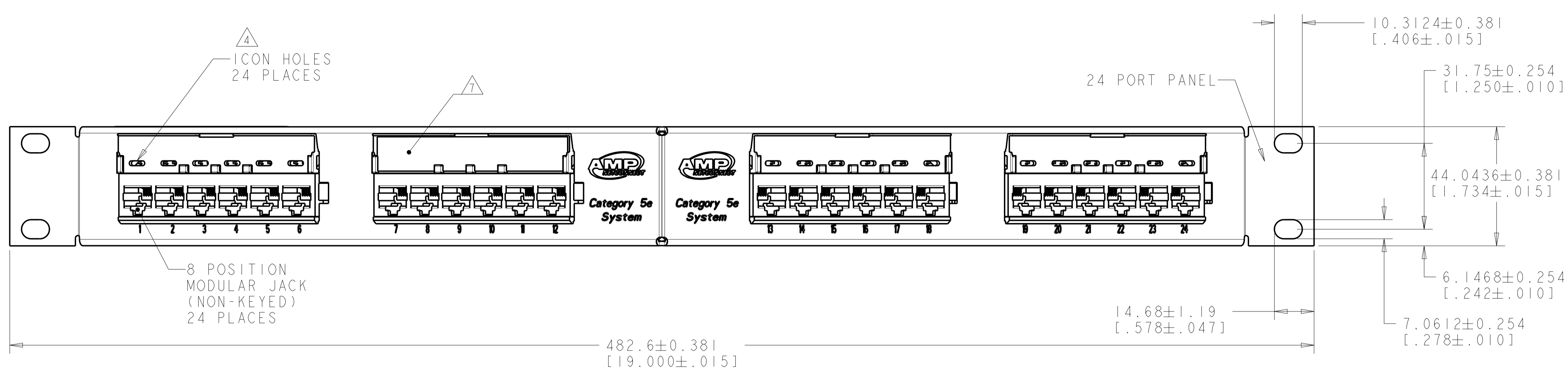
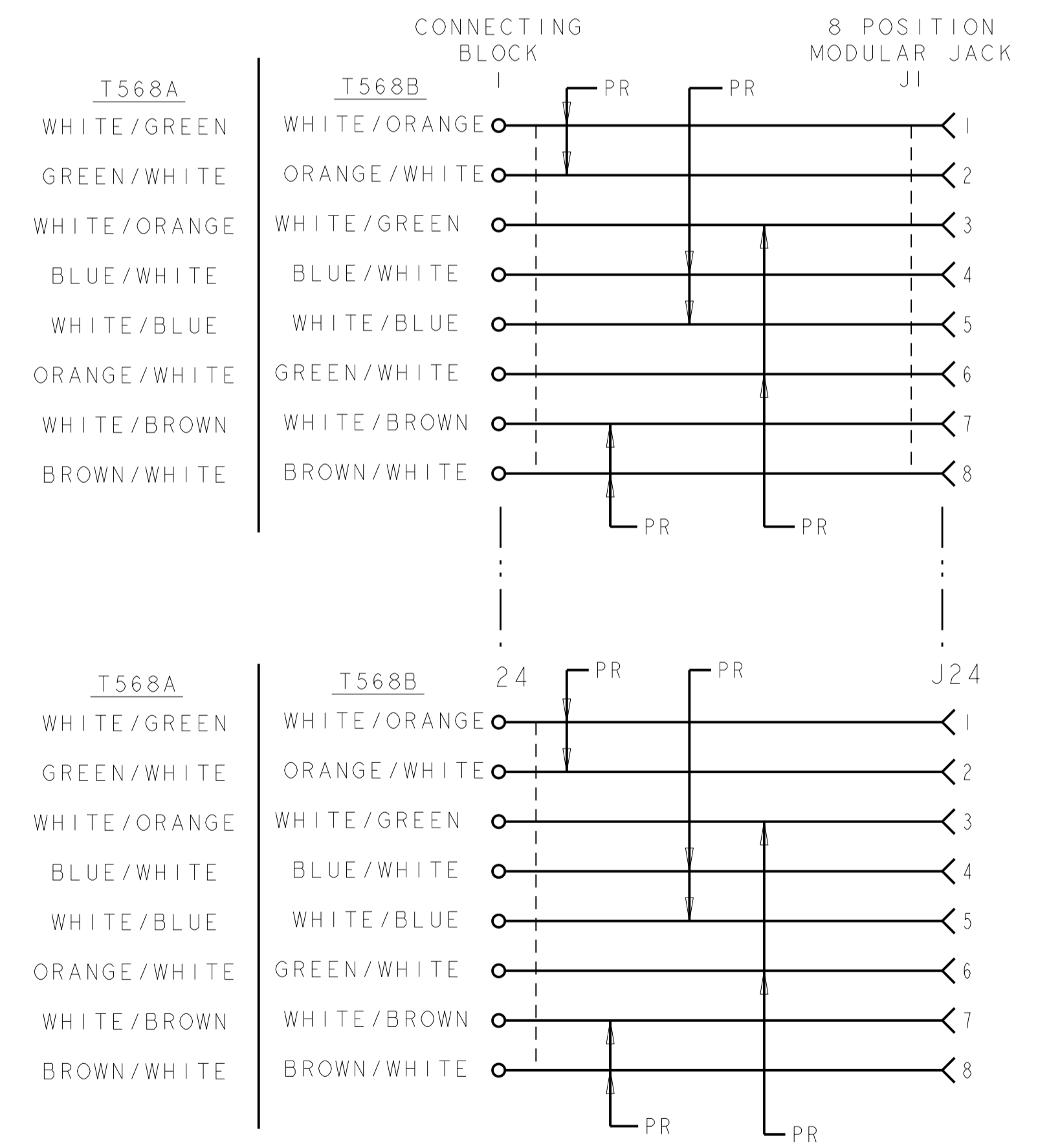
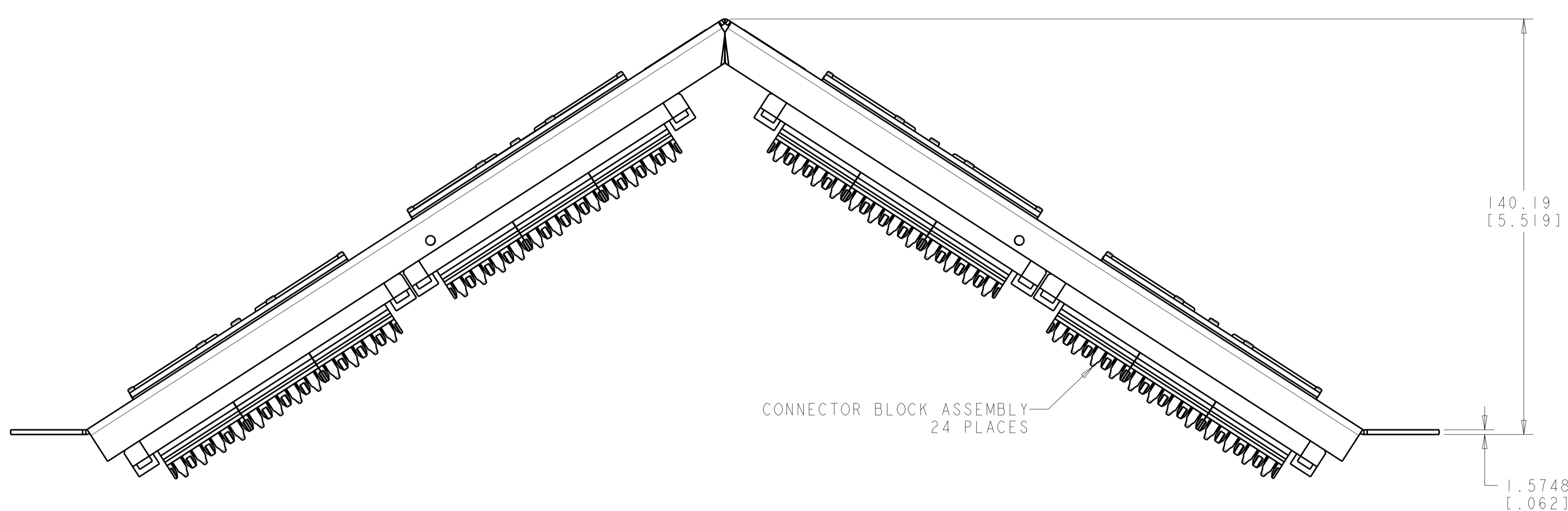


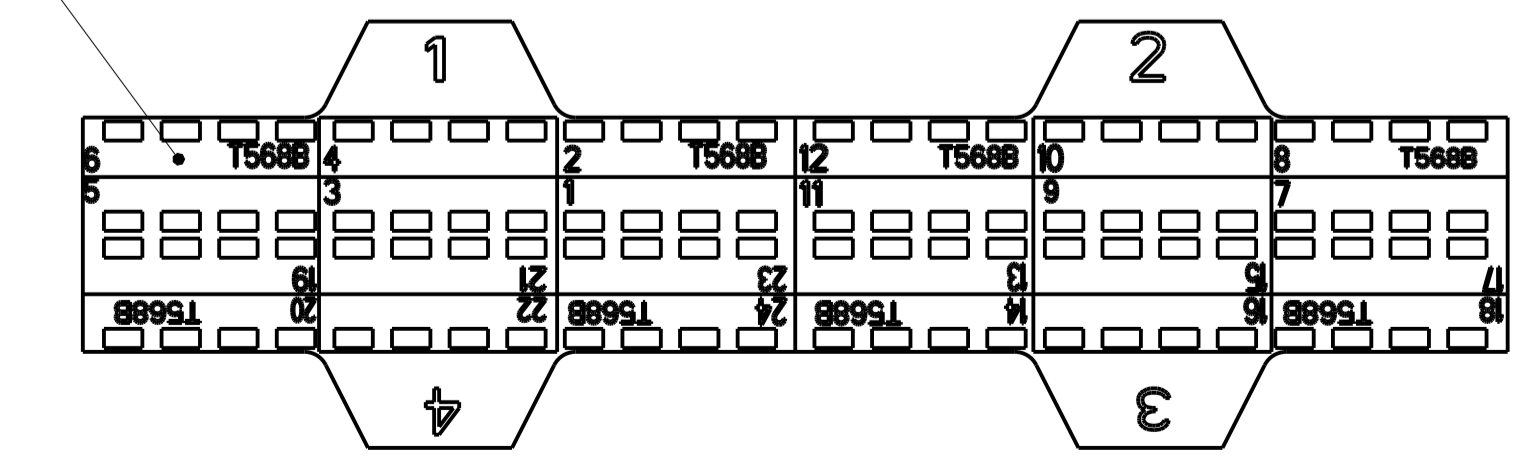
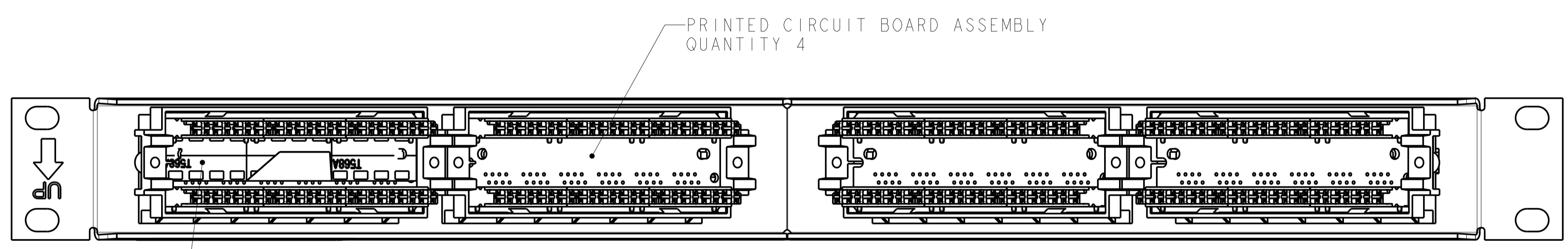
REVISIONS				
REV	DATE	DESCRIPTION	BY	CHK
B	03JUN2008	REV; ECO-08-012437	JB	SH
C	12MAY2015	REV; ECO-15-007331	GG	SH
D	08FEB2017	REV PER BNS_CD_BRAND	GG	DC



- △ MATERIAL: 24 PORT PANEL - BLACK POWDER COAT, CARBON STEEL WITH WHITE MARKINGS. PC BOARD - COPPER CLAD LAMINATED SUBSTRATE. MOD JACKS AND INTERFACE HOUSINGS - BLACK POLYESTER.
- △ DIMENSIONS ARE NOMINAL UNLESS OTHERWISE SPECIFIED.
- 3. THREE WIRE TIES USED FOR CABLE ORGANIZATION/ROUTING ARE SHIPPED LOOSE AND NOT SHOWN DRAWING.
- △ ICONS MAY BE PURCHASED SEPERATELY.
- △ ONE SHEET OF FOUR PER SHEET 110 CONNECTOR UNIVERSAL WIRING LABELS ARE SHIPPED LOOSE. ONE SIDE IS FOR T568A WIRING AND THE OPPOSITE SIDE FOR T568B WIRING. ONE LABEL SHOWN INSTALLED AT LOCATION INDICATED.
- 6. MOUNTING HARDWARE INCLUDED EACH ASSEMBLY: FOUR, 12-24 X.50 TRILOBULAR SCREWS W/ CAPTIVE STARWASHER.
- △ ONE SHEET OF BEZEL LABELS AND ONE SHEET OF CLEAR LABEL COVERS ARE SHIPPED LOOSE. ONE LABEL SHOWN INSTALLED AT LOCATION INDICATED.



ELECTRICAL SCHEMATIC
T568A OR T568B WIRING



1499604-1
PART NUMBER

THIS DRAWING IS A CONTROLLED DOCUMENT.		OWN: J. MCNEAL 05APR2005	NAME: ANGLED PANEL ASSEMBLY, 1U, 24 PORT, CATEGORY 5E
DIMENSIONS: MM [INCHES]		CHK: L. SMITH 05APR2005	
TOLERANCES UNLESS OTHERWISE SPECIFIED:		APVD: S. HERNDON 05APR2005	SIZE: A1
0 PLC ±	1 PLC ±	PRODUCT SPEC	SCALE: 1:2
2 PLC ±	3 PLC ±	APPLICATION SPEC	SHEET 1 OF 1
4 PLC ±	ANGLES ±	FINISH ±	REV D
MATERIAL: △	FINISH: △	WEIGHT: -	Customer Drawing