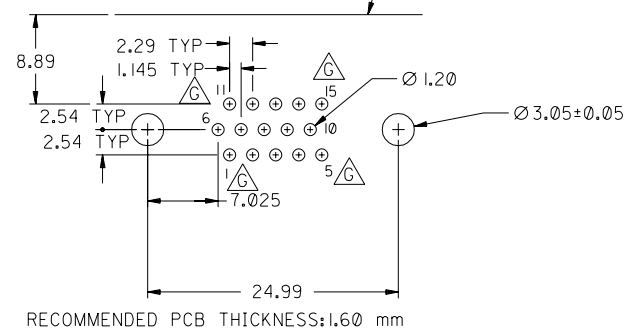
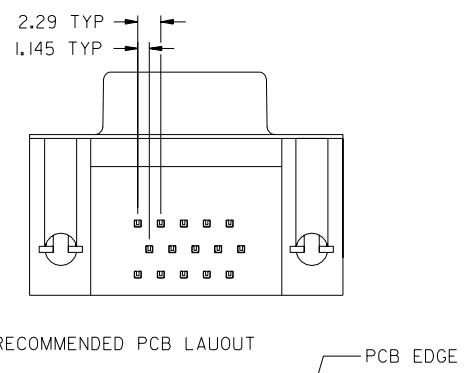
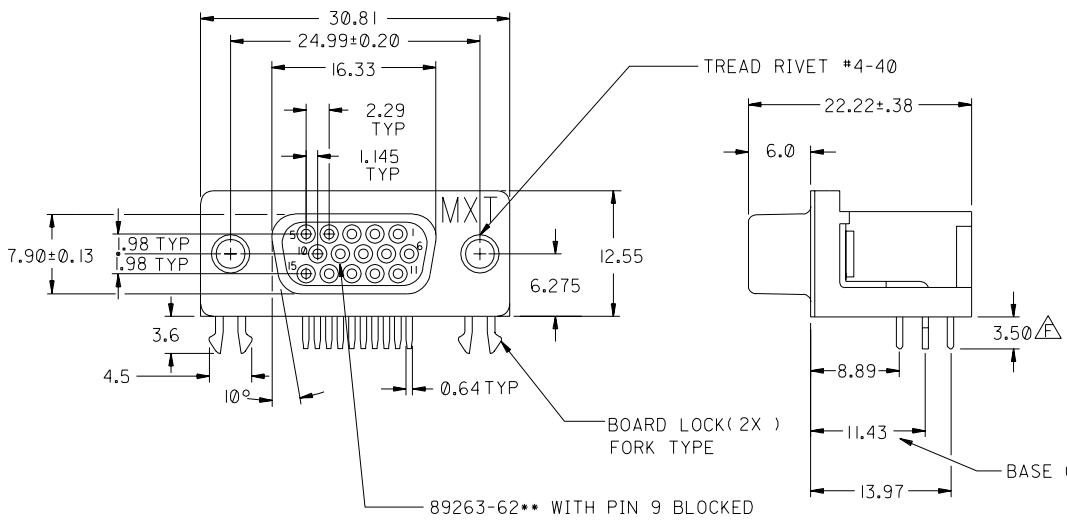
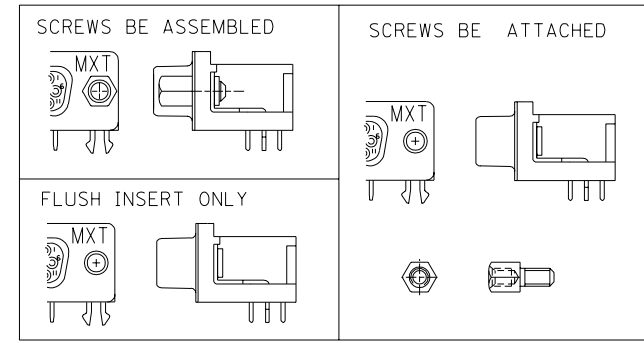


DO NOT SCALE DRAWING
 CAD FILE : S8926360.DGN
 SIMILAR ITEM
 EDP NO.
 ENG. NO SDA-89263-60**



NOTES:
 1. MATERIALS:
 INSULATOR - POLYESTER GLASS FIBER FILLED, UL-94V-0, COLOR: BLACK
 CONTACT - PHOSPHOR BRONZE
 BOARD LOCK: BRASS
 2. THIS PART CONFORMS TO PRODUCT SPECIFICATION : PS-89263



PART NUMBER LEGEND

89263-6

- PLATING *
 SCREW OPTION *
- 0: FOR FULL 15 PIN
 - 1: FOR PIN 9 BLOCKED
 - 2: Flush insert only
 - 3: 2 pcs #4-40 inner thread screw assembled
 - 4: 2 pcs M2.6 inner thread screw assembled
 - 5: 2 pcs M3 inner thread screw assembled
 - 6: 2 pcs #4-40 inner thread screw attached
 - 7: 2 pcs M2.6 inner thread screw attached
 - 8: 2 pcs M3 inner thread screw attached
 - 9: 2 pcs #4-40 inner thread screw assembled with epoxy fixed (epoxy bondage strength spec.: 2.5 kg-cm Min., measured at broken point.)
- 4 : 30 MICROINCH MINIMUM GOLD IN CONTACT AREA NICKEL ALL OVER AND 100 MICROINCH TIN/LEAD ON TAILS
 5 : 15 MICROINCH MINIMUM GOLD IN CONTACT AREA NICKEL ALL OVER AND 100 MICROINCH TIN/LEAD ON TAILS
 6 : GOLD FLASH ALL OVER
 7 : GOLD FLASH ALL OVER, BOARD LOCK TIN PLATED.

G	ADD OPTION AND ALTER THE PIN ASSIGNMENT	T2004-0002	TWU	03/202	MATERIAL : SEE NOTES	MOLEX TAIWAN LTD. SHEET 1 OF 1
F	PER PDR 2766** AND OPTIMAL RISING PIN 9 BLOCKED ALTER THE DIM TO MEET ACTUAL DIMS RELAYS TO SUPPLIERS	T2003-0297	TWU	030515		
E	PER PDR 2766	T2002-0193	Vlin	020219	FINISH :	GENERAL TOLERANCES ANGLE : ± 3° DIM : ± .25/.010
E	PER PDR 2766	T2002-0193	Vlin	020219		
D	ADD BOARD LOCK: BRASS	T2001-0096	EMILY	00/12/04	WIRE RANGE :	ENG. NO.: SDA-89263-60**
C	MODIFY PCB DIM.	T2000-0132	G.Wang	99/12/30		
B	RELEASE TO MANUFACTURING	T97-381	NEIL	970520	INS. RANGE :	REV G
AZ	CORRECT THE SHAPE OF TERMINAL	T97-016	NEIL	960807		
AI	REMOVE THE "X"	T96-179	NEIL	95/11/20	TITLE : PCB RECEPTACLE, HI-DENSITY D-SUB	
LTR	REVISION RECORD	ECN	DR	DATE	DRAWN BY 941102 R.YANG	CHK'D BY
REVISE ONLY ON CAD SYSTEM				APPR'D BY	SCALE	2 : 1