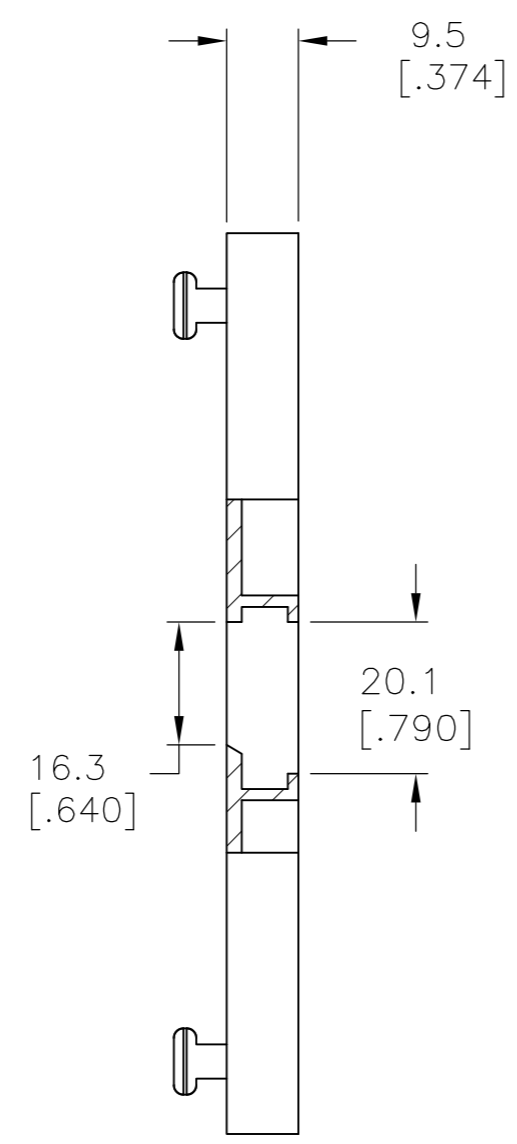
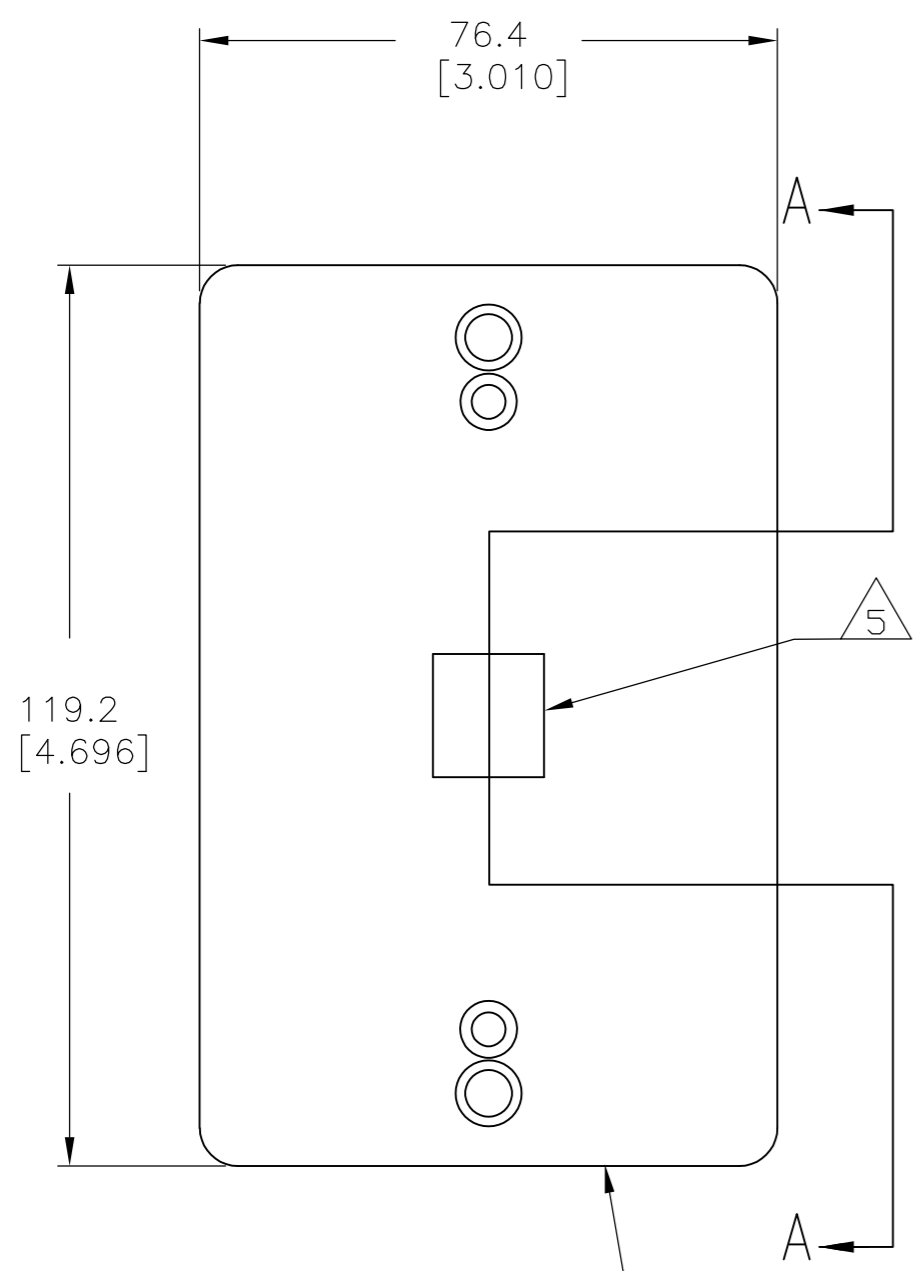


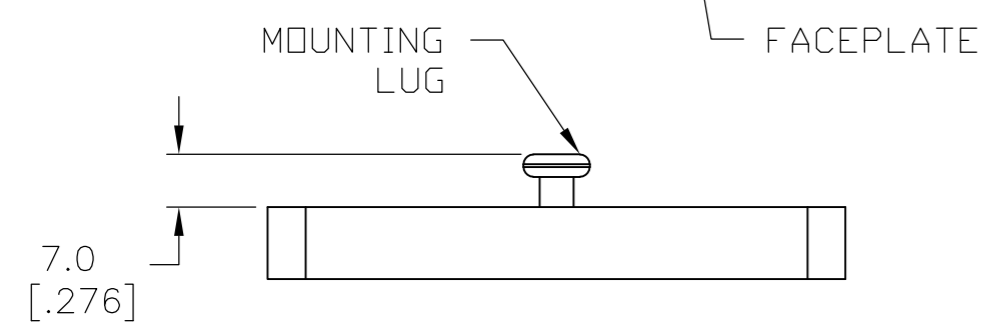
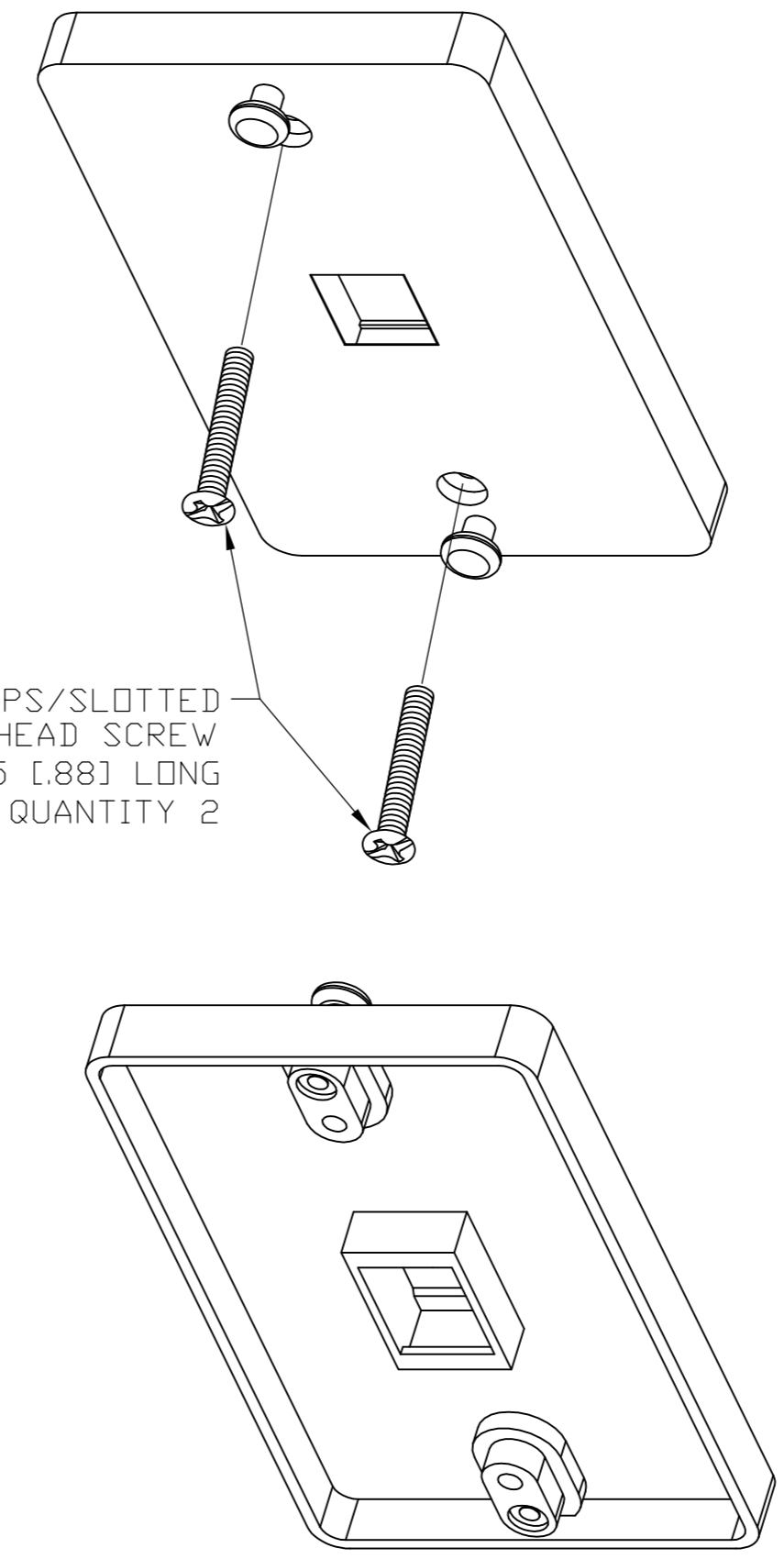
THIS DRAWING IS UNPUBLISHED. RELEASED FOR PUBLICATION
 © COPYRIGHT - By - ALL RIGHTS RESERVED.

| LOC | | DIST | | REVISIONS | | | |
|-----|-----|---------------|--|-----------|-----|------|--|
| P | LTR | DESCRIPTION | | DATE | DWN | APVD | |
| | C | ECO-13-007971 | | 14MAY2013 | JM | RA | |

- 1 MATERIAL: FACEPLATE
ABS MOLDING COMPOUND,
94V-0 RATED.
SCREW: ZINC PLATED CARBON STEEL
- 2 DIMENSIONS ARE NOMINAL UNLESS
OTHERWISE SPECIFIED.
- 3. SCREWS AND INSERT CAPS
SHIPPED NOT ASSEMBLED.
- 4. DIMENSIONS IN BRACKETS [] ARE IN
INCHES.
- 5 OPENING WILL ACCEPT ANY
AMP 110CONNECT OR SL SERIES
OUTLET JACKS.



PHILLIPS/SLOTTED
 OVAL HEAD SCREW
 #6-32 x 22.35 [.88] LONG
 QUANTITY 2



| | |
|--------------|-------------|
| ALPINE WHITE | 1-1479152-3 |
| ELEC. IVORY | 1-1479152-1 |
| LT ALMOND | 1479152-1 |
| COLOR | PART NO. |

| | | | | | | | | | |
|--|------------|----------|-----------|-----------|------------------|------------------|-----------|----------------------------|---------------|
| THIS DRAWING IS A CONTROLLED DOCUMENT. | | DWN | L. HALL | 08JAN2002 | | NAME | | KIT, FACEPLATE, WALL PHONE | |
| DIMENSIONS: | | CHK | G. BOWMAN | 08JAN02 | | PRODUCT SPEC | | - | |
| TOLERANCES UNLESS OTHERWISE SPECIFIED: | | APVD | G. BOWMAN | 08JAN02 | | APPLICATION SPEC | | - | |
| mm(INCHES) | | MATERIAL | | WEIGHT | | SIZE | CAGE CODE | DRAWING NO | RESTRICTED TO |
| 0 PLC ± - | 1 PLC ± - | - | | - | A2 | 00779 | C=1479152 | - | |
| 2 PLC ± - | 3 PLC ± - | FINISH | | - | SCALE | | SHEET | | |
| 4 PLC ± - | ANGLES ± - | - | | - | 1:1 | | 1 of 1 | | |
| MATERIAL | | - | | - | CUSTOMER DRAWING | | REV | | |
| - | | - | | - | - | | C | | |