

Features :

- Peak load (1.6 ~ 2.0 x rated current, Vo=rated for 5 sec)
- Wide trimmable output voltage
- -30°C to +70°C operating temperature
- 5,000m operation altitude
- With Fan output, fan start-up at >30% loading
- With ITE and Medical Safety
- EMI class B

Applications :

- For peak load applications, such as motor drive, coffee machine, vending machine, gaming machine, and other industrials.

EMI EN55022 "B", FCC "B"
 Harmonics EN61000-3-2, class D
 EMS EN61000-4-2,-3,-4,-5,-6,-8,-11
 Safety UL/CSA/EN60950-1, 2nd edition
 CB report, CE mark

General Specifications :

Input voltage 90 VAC to 264 VAC
 Input frequency 47 Hz to 63 Hz
 Inrush current <30/60A at 115/230 VAC
 Hold up time >16 ms
 Over load/Short circuit protection auto recovery
 Over voltage protect latch off
 Operating temperature -30°C to 70°C
 derating: 2.5% /°C >50°C
 Storage temperature -40°C to +85°C

Output Specifications :

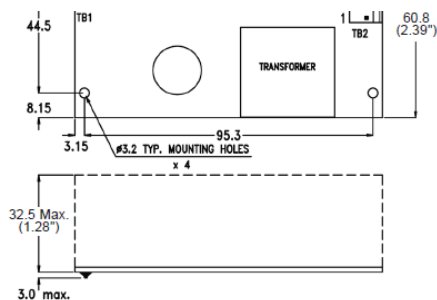
Series	SNP-V12x		SNP-V20x		SNP-V30x		SNP-V40x ²⁾		
Size (WxLxH)	2.39"x4"x1.26"		3"x5"x1.38"		4"x6"x1.38"		4"x7"x1.6"		
Model no	V127	V129	V207	V209	V307	V309	V407	V409	
Rated Power (Watts)	120	120	200	200	300	300	400	400	
Output voltage	+12V	+24V	+12V	+24V	+12V	+24V	+12V	+24V	
Load(A) ¹⁾	Rated	10.00	5.00	16.60	8.30	25.00	12.50	33.30	16.65
	Max.	15.00	7.50	25.00	12.50	33.30	16.70	50.00	25.00
	Peak	20.00	10.00	30.00	15.00	40.00	20.00	66.60	33.30
Efficiency	Rated	87%	89%	90%	90%	90%	90%		

Note : Convection cooling for Rated load ; Forced air cooling for Max. load ; Peak load can last for 5 sec.

1. Under development.
2. This datasheet is only for model selection.

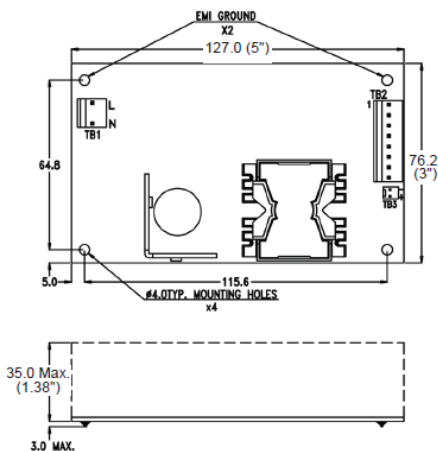
Specifications are subject to change without notice. It is responsibility of each customer to thoroughly test each product and part number under their unique parameters and environments to ensure a product will work properly and reliably.

SNP-V12x



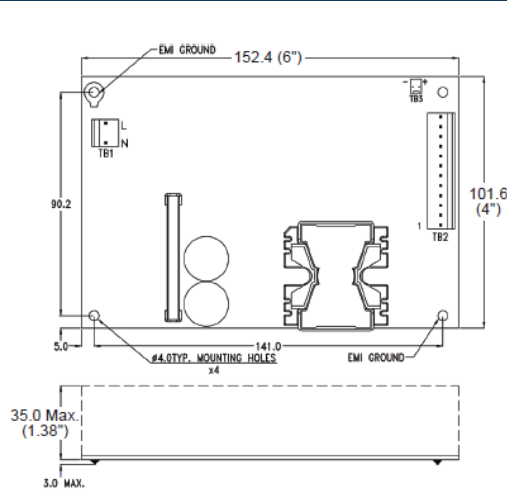
4. Fan: Molex 5045-02A or equivalent
Terminal blocks or equivalent
Output Pin assignment:
- | | | | |
|----|----|-----|-----|
| 1 | 2 | 3 | 4 |
| Vo | Vo | GND | GND |
5. Packing:
Net weight: 190 g approx. / unit
Gross weight: 14.5 kg approx. / carton, 60 units / carton
Carton size (mm): 489(L)x357(W)x285(H)

SNP-V20x



- Notes:
- Size: 3" x 5" x 1.38"
 - Mounting Hole: 64.8 x 115.6 (mm)
 - Connectors:
AC input: Molex 5277-02A or equivalent
DC output: Molex 5273-08A or Terminal blocks or equivalent
 - Fan: Molex 5045-02A or equivalent
Output Pin assignment:
- | | | | | | | | |
|----|----|----|----|-----|-----|-----|-----|
| 1 | 2 | 3 | 4 | 5 | 6 | 7 | 8 |
| Vo | Vo | Vo | Vo | GND | GND | GND | GND |
5. Packing:
Net weight: 340 g approx. / unit
Gross weight: 14.3 kg approx. / carton, 16 units / carton
Carton size (mm): 384 (L) x 339 (W) x 327 (H)

SNP-V30x



- Notes:
- Size: 4" x 6" x 1.38"
 - Mounting Hole: 90.2 x 141 (mm)
 - Connectors:
AC input: Molex 5277-02A or equivalent
DC output: Molex 5273-08A or Terminal blocks or equivalent
 - Fan: Molex 5045-02A or equivalent
Output Pin assignment:
- | | | | | | | | | | | | |
|-----|-----|-----|-----|-----|-----|----|----|----|----|----|----|
| 1 | 2 | 3 | 4 | 5 | 6 | 7 | 8 | 9 | 10 | 11 | 12 |
| GND | GND | GND | GND | GND | GND | Vo | Vo | Vo | Vo | Vo | Vo |
5. Packing:
Net weight: 515 g approx. / unit
Gross weight: 14.5 kg approx. / carton, 24 units / carton
Carton size (mm): 403 (L) x 324 (W) x 277 (H)

Under development

SNP-V40x