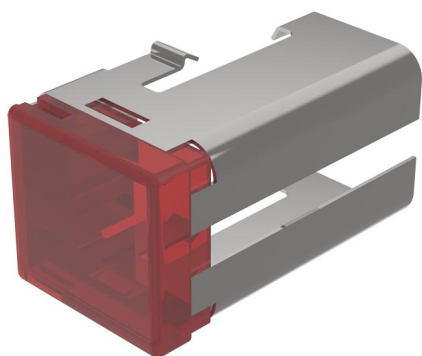


# EAO – Your Expert Partner for Human Machine Interfaces

## 03-921.2 - Lens halved for pushbutton double-headed

### 03-921.2 - Lens halved for pushbutton double-headed



*Attention: The preview is based on a sample product. This can differ from your current configuration.*

#### Mounting

Design flush

#### Other Attributes

Weight 0,005 kg  
Dimension 18 x 19 mm

#### Operating-/Indication part

Lens optics translucent  
Lens material Plastic  
Lens colour red ribbed  
Lens illumination illuminative  
Lens profile flat