

127×127×38 mm

San Ace 127 9P type   



General Specifications

- Material Frame: Plastic (Flammability: UL 94V-0), Impeller: Plastic (Flammability: UL 94V-1)
- Expected life See the table below. (L10 life: 90% survival rate for continuous operation in free air at 60°C, rated voltage)
- Motor protection function Locked rotor burnout protection, Reverse polarity protection
For details, please refer to p. 529.
- Dielectric strength 50/60 Hz, 500 VAC, for 1 minute (between lead wire conductors and frame)
- Insulation resistance 10 MΩ or more with a 500 VDC megger (between lead wire conductors and frame)
- Sound pressure level (SPL) At 1 m away from the air inlet
- Storage temperature -30 to +70°C (Non-condensing)
- Lead wire ⊕Red ⊖Black or Blue (Sensor) Yellow
- Mass 350 g

Specifications

The models listed below **have ribs and pulse sensors**. For models without ribs, append "1" to the end of model numbers.

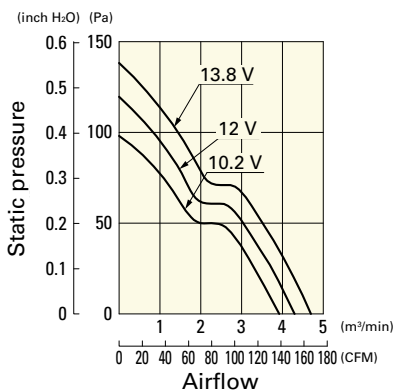
Model no.	Rated voltage [V]	Operating voltage range [V]	Rated current [A]	Rated input [W]	Rated speed [min ⁻¹]	Max. airflow [m ³ /min] [CFM]	Max. static pressure [Pa] [inchH ₂ O]	SPL [dB (A)]	Operating temperature [°C]	Expected life [h]
109P1312S101	12	10.2 to 13.8	1.3	15.6	3300	4.2 148	117.6 0.472	47	-20 to +60	40000/60°C
109P1312H101			0.82	9.84	2950	3.8 134	98 0.394	45		
109P1324S101	24	20.4 to 27.6	0.55	13.2	3300	4.2 148	117.6 0.472	47		
109P1324H101			0.41	9.84	2950	3.8 134	98 0.394	45		
109P1348S101	48	40.8 to 55.2	0.3	14.4	3300	4.2 148	117.6 0.472	47		
109P1348H101			0.2	9.6	2950	3.8 134	98 0.394	45		

Other sensor specifications are available as options. Refer to the index (pp. 544 to 545).

Airflow - Static Pressure Characteristics

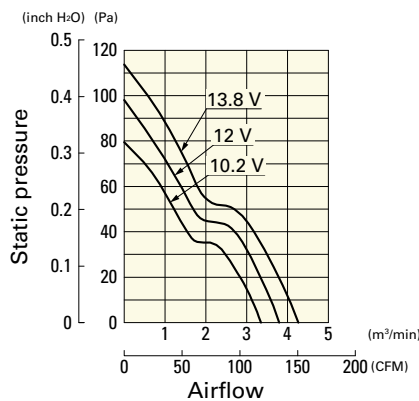
109P1312S101 With pulse sensor

Operating voltage range



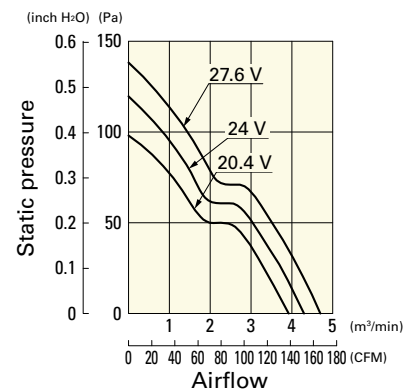
109P1312H101 With pulse sensor

Operating voltage range



109P1324S101 With pulse sensor

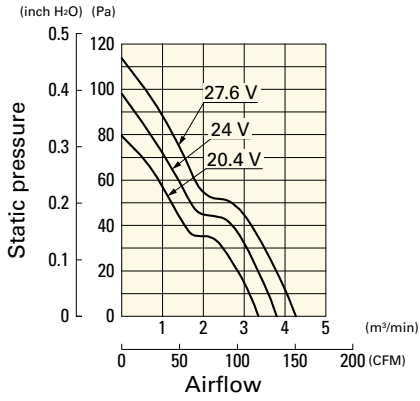
Operating voltage range



Airflow - Static Pressure Characteristics

109P1324H101 With pulse sensor

Operating voltage range



109P1348S101 With pulse sensor

Operating voltage range

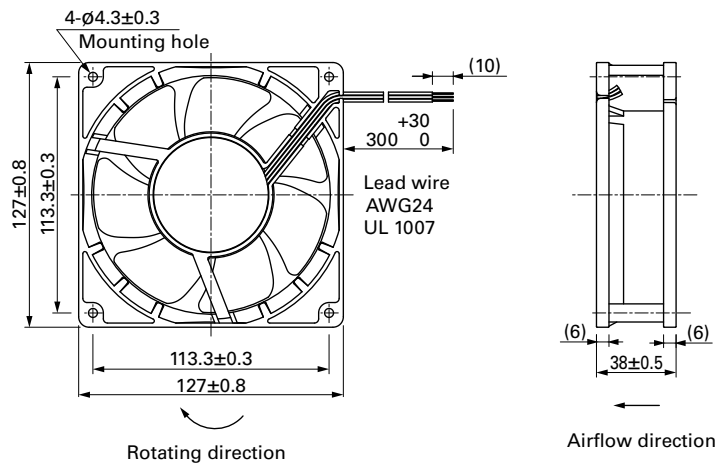


109P1348H101 With pulse sensor

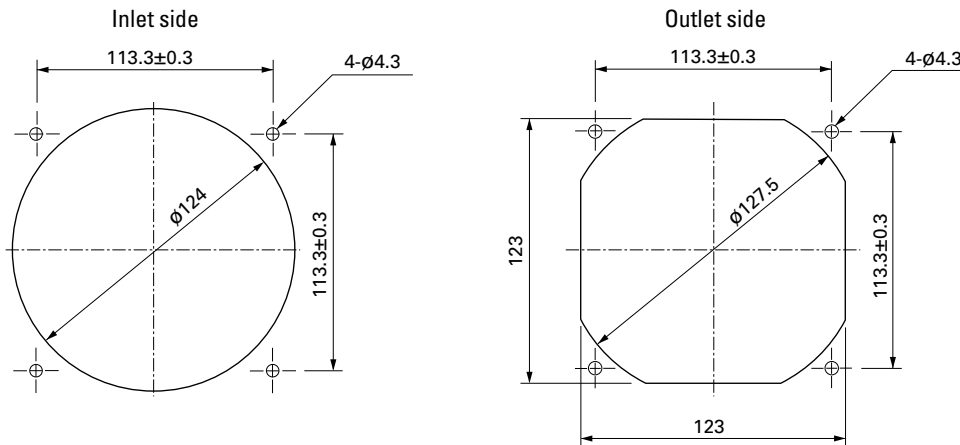
Operating voltage range



Dimensions (unit: mm) (With ribs)



Reference Dimensions of Mounting Holes and Vent Opening (unit: mm)



Options

Finger guards

page: p. 514

Model no.: 109-722, 109-723