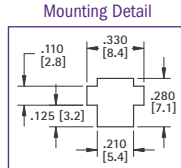
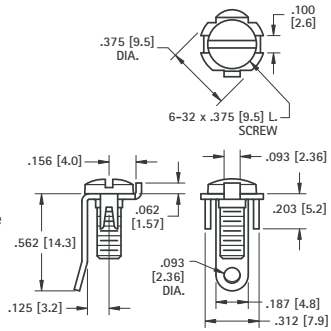


SCREW TERMINALS



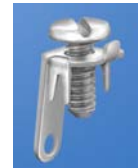
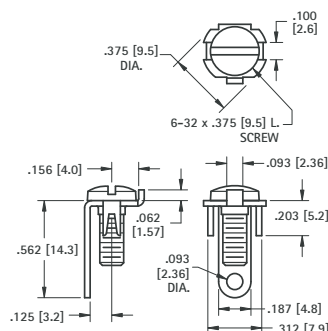
OFFSET LEG



SPECIFICATIONS
Terminal: .032 (.81) Steel, Tin Plate
Screw: Steel, Nickel Plate
 (Screw Installed & Captivated)
Rated: 15 Amps

CAT. NO. 1248

STRAIGHT LEG

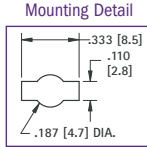
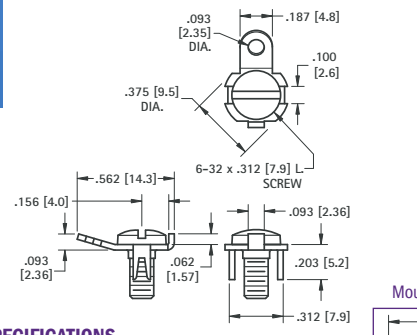


SPECIFICATIONS
Terminal: .032 (.81) Steel, Tin Plate
Screw: Steel, Nickel Plate
 (Screw Installed & Captivated)
Rated: 15 Amps

CAT. NO. 1215



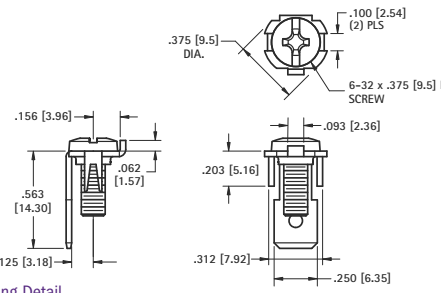
SOLDER TAB



SPECIFICATIONS
Terminal: .032 (.81) Steel, Tin Plate
Screw: Steel, Nickel Plate
 (Screw Installed & Captivated)
Rated: 15 Amps

CAT. NO. 1232

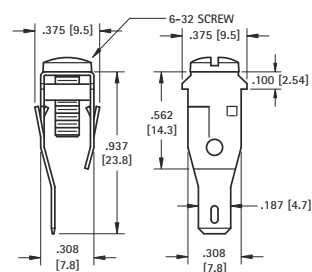
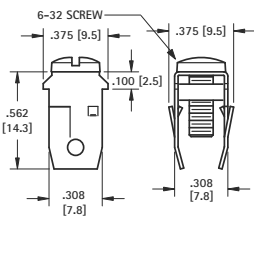
QUICK FIT



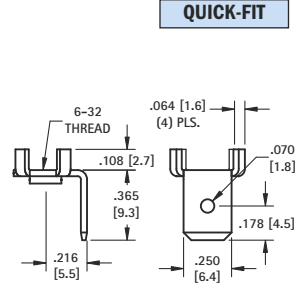
SPECIFICATIONS
Terminal: .032 (.81) Brass, Tin Plate
Screw: Steel, Nickel Plate
 (Screw Installed & Captivated)
Rated: 15 Amps

CAT. NO. 1217

SOLDER



QUICK-FIT

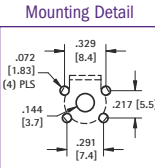


SPECIFICATIONS
Terminal: .020 (.51) Steel, Tin Plate
Screw: Steel, Zinc Plate,
 (Screw Installed & Captivated)
Rated: 15 Amps

CAT. NO. 1272

SPECIFICATIONS
Terminal: .020 (.51) Steel, Tin Plate
Screw: Steel, Zinc Plate,
 (Screw Installed & Captivated)
Rated: 15 Amps

CAT. NO. 1273



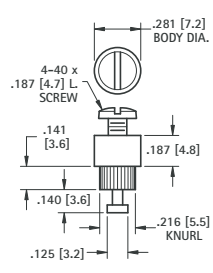
SPECIFICATIONS
Material: .032 (.81) Brass, Nickel Plate
Rated: 15 Amps

CAT. NO. 1247 (No Screw Supplied)
CAT. NO. 1251 (Screw Installed)

BINDING POST TERMINALS (RIVET TYPE)

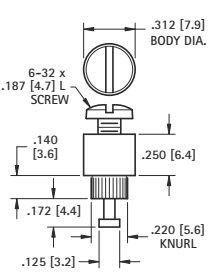
SPECIFICATIONS Terminal: Brass, Tin Plate **Screw:** Steel, Zinc Plate (Screw Supplied Unassembled)

4-40



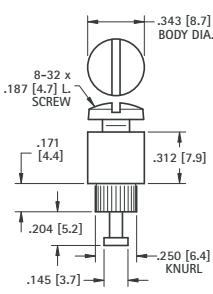
Mounting Hole: .220 (5.6)
CAT. NO. 1537 FOR .093 (2.38) BOARD

6-32



Mounting Hole: .225 (5.7)
CAT. NO. 1535 FOR .093 (2.38) BOARD

8-32



Mounting Hole: .255 (6.5)
CAT. NO. 1536 FOR .125 (3.2) BOARD