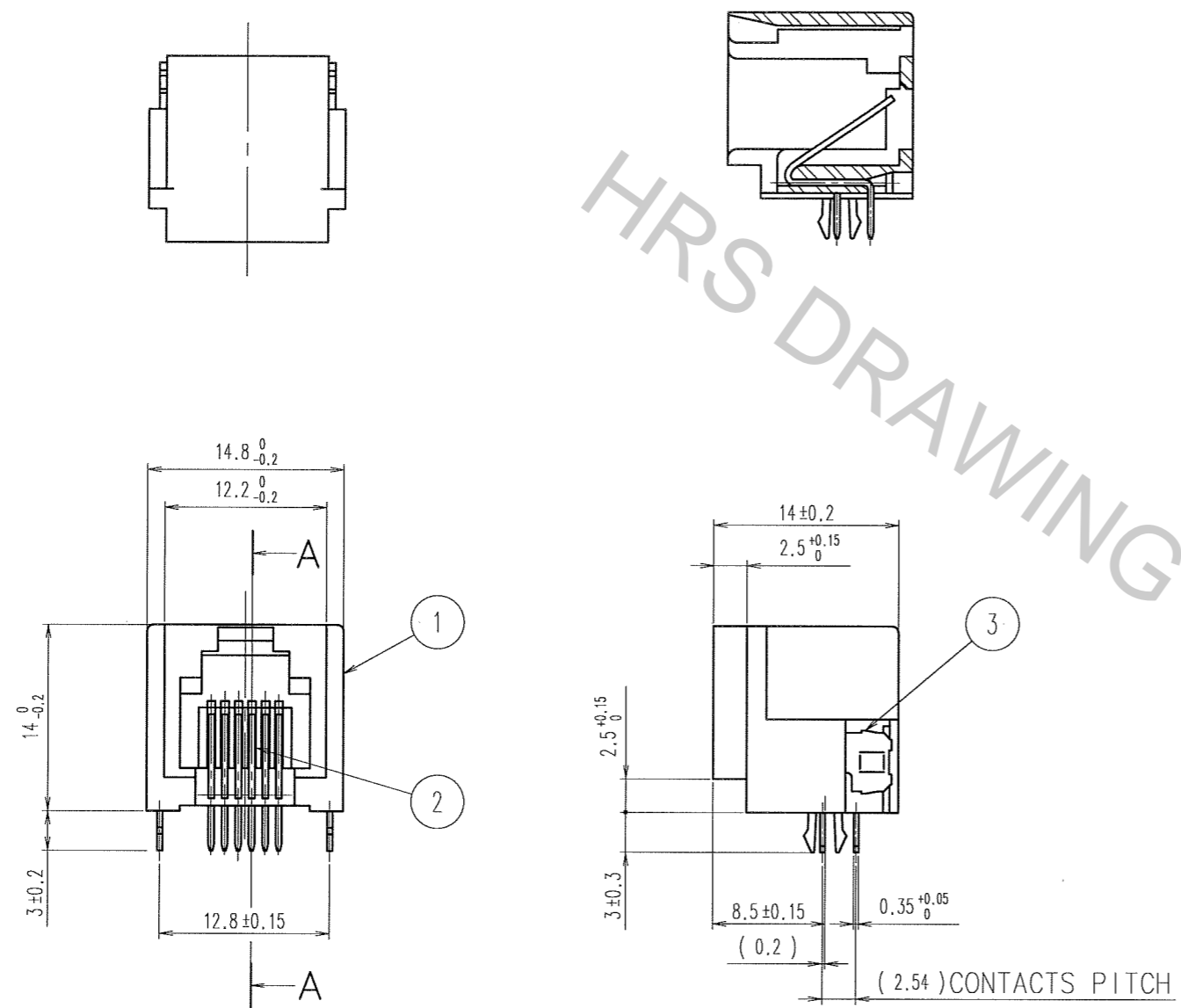


Jun.1.2018 Copyright 2018 HIROSE ELECTRIC CO., LTD. All Rights Reserved.  
 In case of consideration for using Automotive equipment /  
 device which demand high reliability, kindly contact our sales window correspondents.

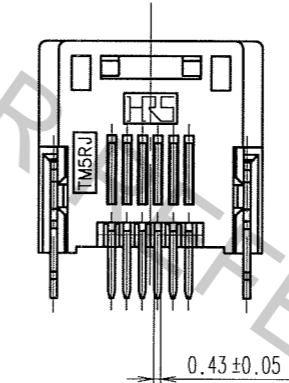
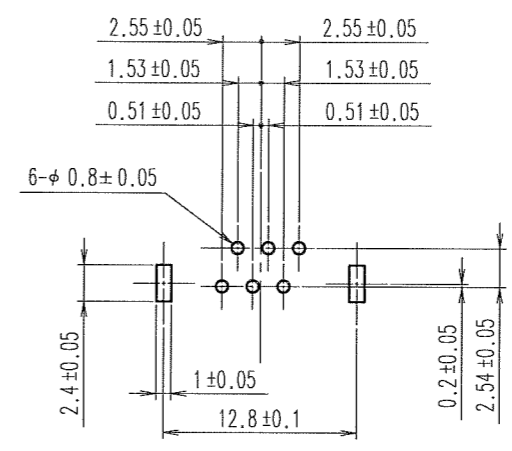
1 2 3 4 5 6 7 8

COUNT	DESCRIPTION OF REVISIONS	BY	CHKD	DATE	COUNT	DESCRIPTION OF REVISIONS	BY	CHKD	DATE

A-A



RECOMMENDED PC BOARD HOLE PATTERN  
 (MOUNTING SIDE)  
 (APPLICABLE THICKNESS OF PC BOARD t=1.6)



TO  
 Q2  
 USA

2	PHOSPHOR BRONZE	SELECTIVE GOLD PLATING			
1	PBT	UL94V-0 COLOR:GRAY	3	PHOSPHOR BRONZE	TIN REFLOW PLATING
NO.	MATERIAL	FINISH, REMARKS	NO.	MATERIAL	FINISH, REMARKS
CODE NO. (OLD)			DRAWN	DESIGNED	CHECKED
			05.09.21	05.10.03	05.10.07
			Y. Sato	T. Taniguchi	Y. Enami
					X. Miwa
					05.10.13
DRAWING NO.			PART NO.		
EDC3-023898-01			TM5RJ1-66(50)		
SCALE			CODE NO.		
2 : 1			CL222-1245-7-50		
UNITS			1		
mm			1		

1 2 3 4 5 6 7 8