

**PLEASE CHECK WWW.MOLEX.COM FOR LATEST PART INFORMATION**

**Part Number:** **0709821008**  
**Status:** **Active**  
**Overview:** TDP® Triad® Differential Pair  
**Description:** LFH™ and TDP® Panel Mount Hex Screw Kit

**Documents:**

[Drawing \(PDF\)](#) [RoHS Certificate of Compliance \(PDF\)](#)  
[Application Specification AS-70929-001 \(PDF\)](#)

**General**

Product Family	I/O Connectors
Series	70982
Application	Wire-to-Board
Comments	Includes (1) Hex Lock Screw, (1) Nylon Patch Hardware Kit
Component Type	Hex Screw
Material - Screw	Steel
Overview	TDP® Triad® Differential Pair
Product Name	LFH™, TDP®
Type	N/A
UPC	800756716152

**Physical**

Boot Color	N/A
Circuits (Loaded)	N/A
Gender	N/A
Keying to Mating Part	N/A
Lock to Mating Part	Yes
Material - Plating Mating	N/A
Net Weight	0.812/g
Number of Rows	0
Orientation	N/A
PCB Retention	N/A
Packaging Type	Bag
Panel Mount	Yes
Pitch - Mating Interface	N/A
Polarized to Mating Part	N/A
Polarized to PCB	N/A
Termination Interface: Style	N/A
Wire Size AWG	N/A

**Electrical**

Current - Maximum per Contact	N/A
Grounding to Panel	N/A

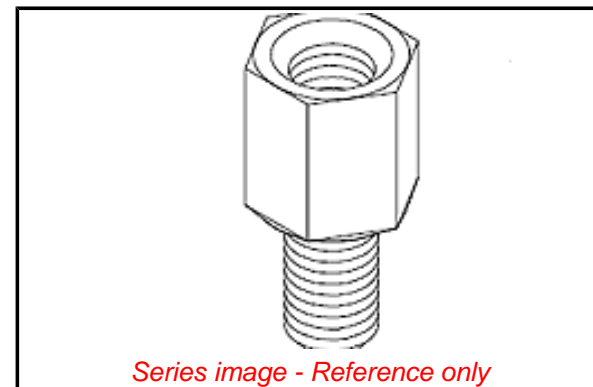
**Solder Process Data**

Lead-freeProcess Capability	N/A
-----------------------------	-----

**Material Info**

**Reference - Drawing Numbers**

Application Specification	AS-70929-001
Sales Drawing	SD-70982-002



**EU ELV**

**Not Relevant**

**EU RoHS**

**Compliant**

**REACH SVHC**

Not Contained Per -  
ED/108/2014 (17 Dec  
2014)

**Halogen-Free**

**Status**

**Low-Halogen**

**Need more information on product environmental compliance?**

Email [productcompliance@molex.com](mailto:productcompliance@molex.com)  
Please visit the [Contact Us](#) section for any non-product compliance questions.

China ROHS

ELV

Green Image

Not Relevant

**Search Parts in this Series**

[70982](#) Series

**Use With**

[70660](#), [70665](#), [70928](#), [70929](#), [71624](#), [71626](#),  
[71475](#), [71478](#), [71718](#), [74960](#)