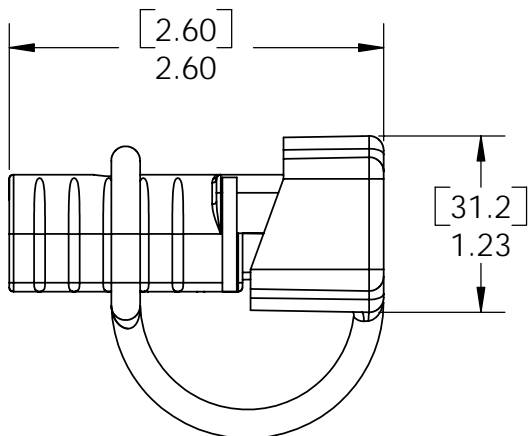
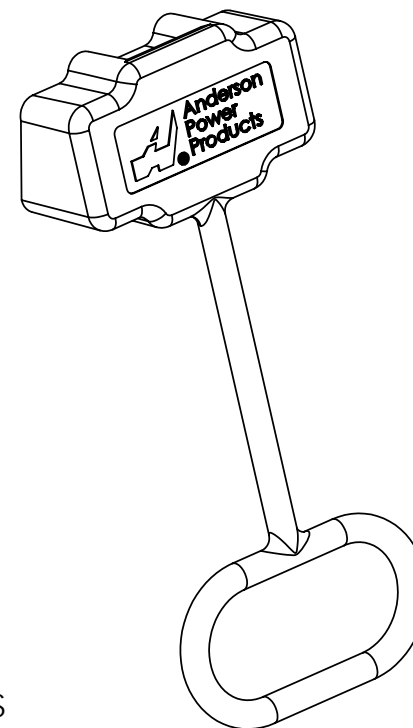
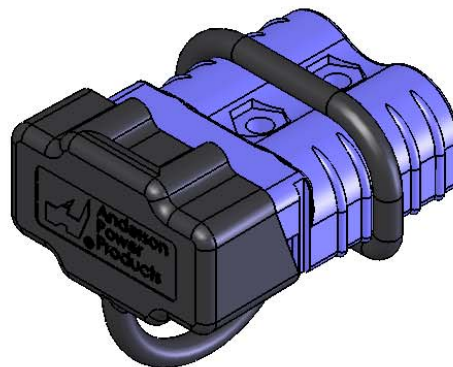
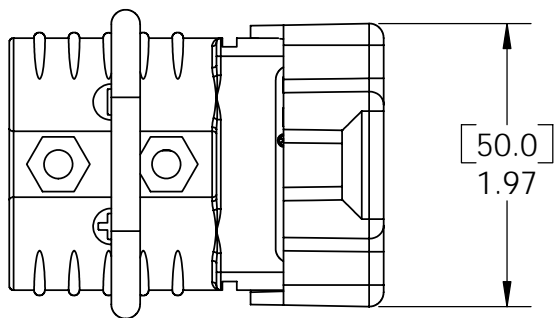


THE INFORMATION CONTAINED IN THIS DRAWING IS THE SOLE PROPERTY OF ANDERSON POWER PRODUCTS. ANY REPRODUCTION IN PART OR WHOLE WITHOUT THE WRITTEN PERMISSION OF ANDERSON POWER PRODUCTS IS PROHIBITED.

Copyright 2005

ANDERSON POWER PRODUCTS RESERVES THE RIGHT TO ALTER PRODUCT TYPES, THEIR TECHNICAL DATA, DIMENSION, STYLE AND ACCESSORIES WITHOUT PRIOR NOTIFICATION.



NOTES:

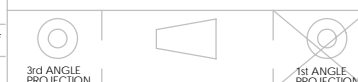
1. CONNECTORS SOLD SEPARATELY
2. DUST COVER DOES NOT PROVIDE HERMETIC SEAL
3. MAY BE USED WITH CABLE CLAMPS
4. CAT. NO. 134G4

DIMENSIONS ARE IN:		INCH[MM]	MM[INCH]	APPROVALS	
UNLESS OTHERWISE STATED				DRAWN	
TOLERANCES:				AMS	9/26/05
DECIMALS (INCH)	DECIMALS (MM)	ANGLES	CHECKED	DJD	9/27/05
XX ±.02	X ±.5	±2°	MFG APP	CHB	9/27/05
SURFACE FINISH:			QC APP	JJA	9/27/05
MACHINED	128 [3.2]	✓	ENG APP	DAM	9/26/05
MOLDED	64 [1.6]	✓			
MATERIAL:		BLACK ELASTOMER			
FINISH:		AS MOLDED			



**ANDERSON POWER PRODUCTS**  
**TITLE**  
**SALES OUTLINE**  
**SB120 DUST COVER**  
**WITH RETAINING STRAP**

SIZE	DWG NO.	REV.
A/A4	B02019S1	0
SCALE	CADFILE	SHEET
NONE	02372	1 OF 1



REV.	DESCRIPTION OF CHANGES	APPROVED	DATE