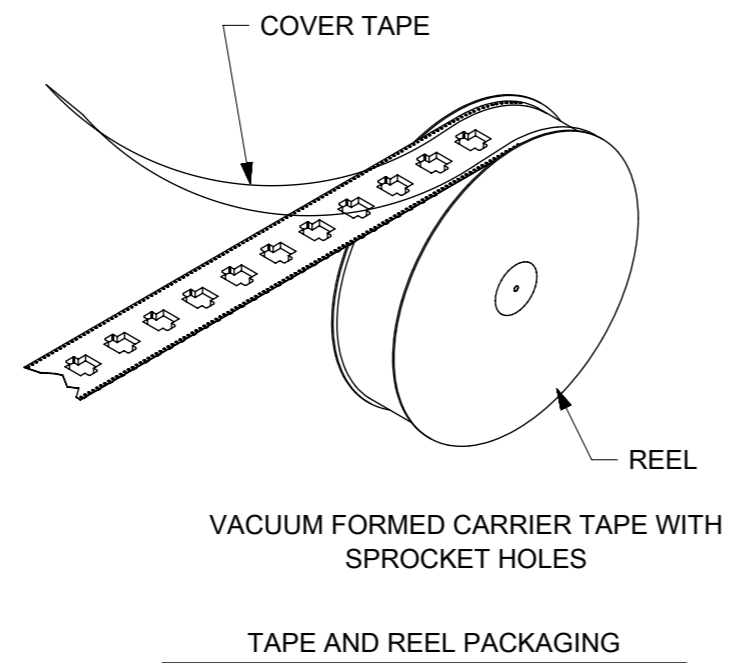
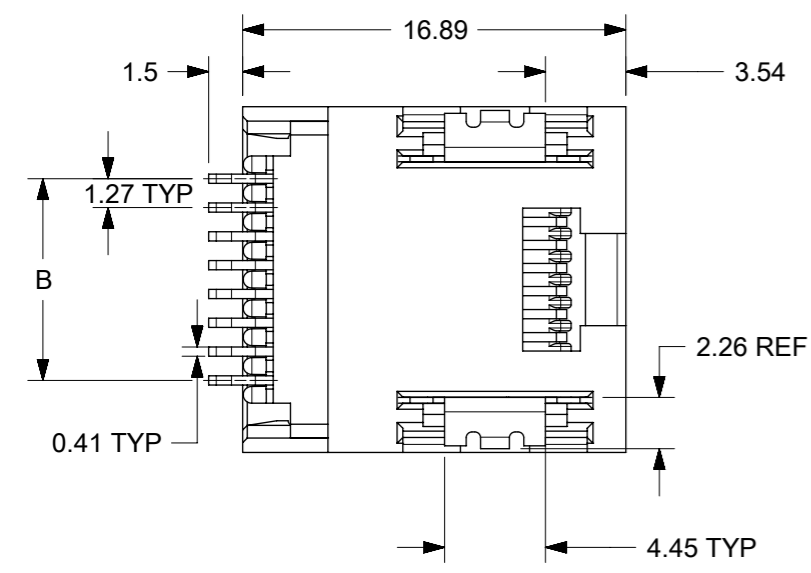
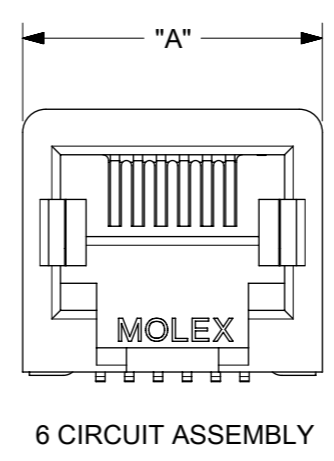
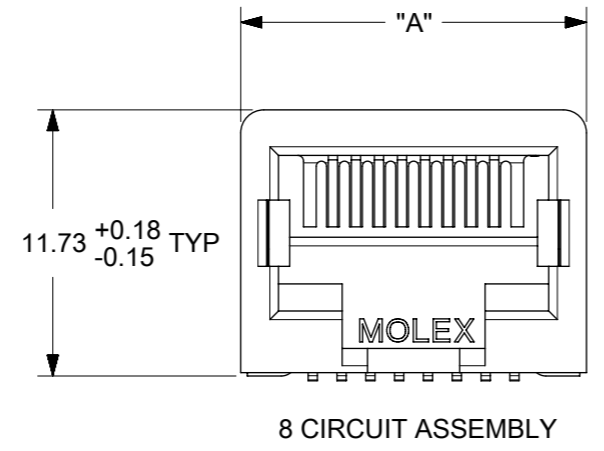
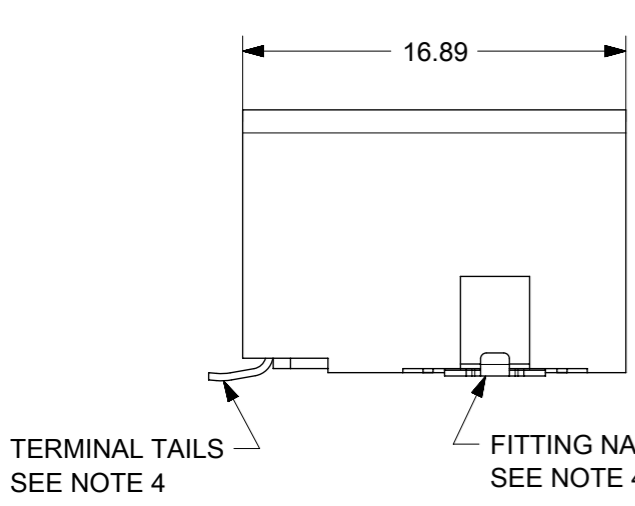


HOUSING SIZE	CIRCUIT SIZE	DIM. A	DIM. B
6	6	13.21	6.35
6	4	13.21	3.81
6	2	13.21	1.27
8	8	15.24	8.89
8	6	15.24	6.35

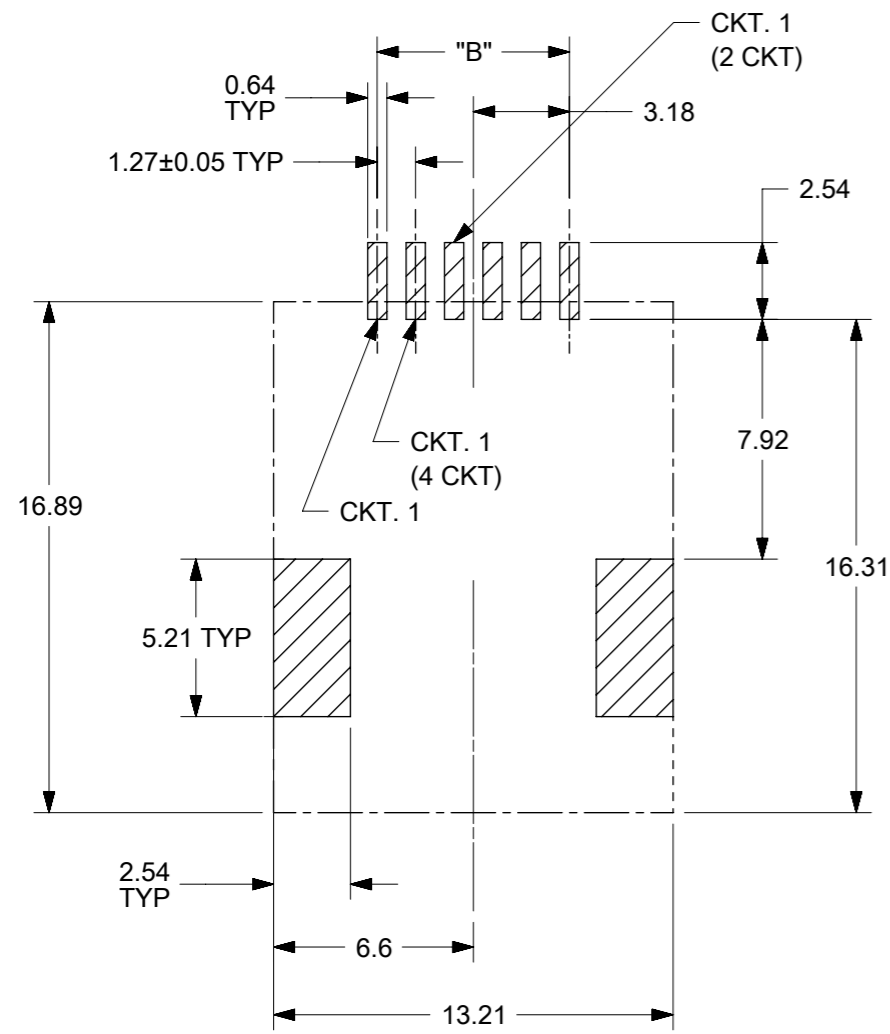


"X"=NOT TOOLED

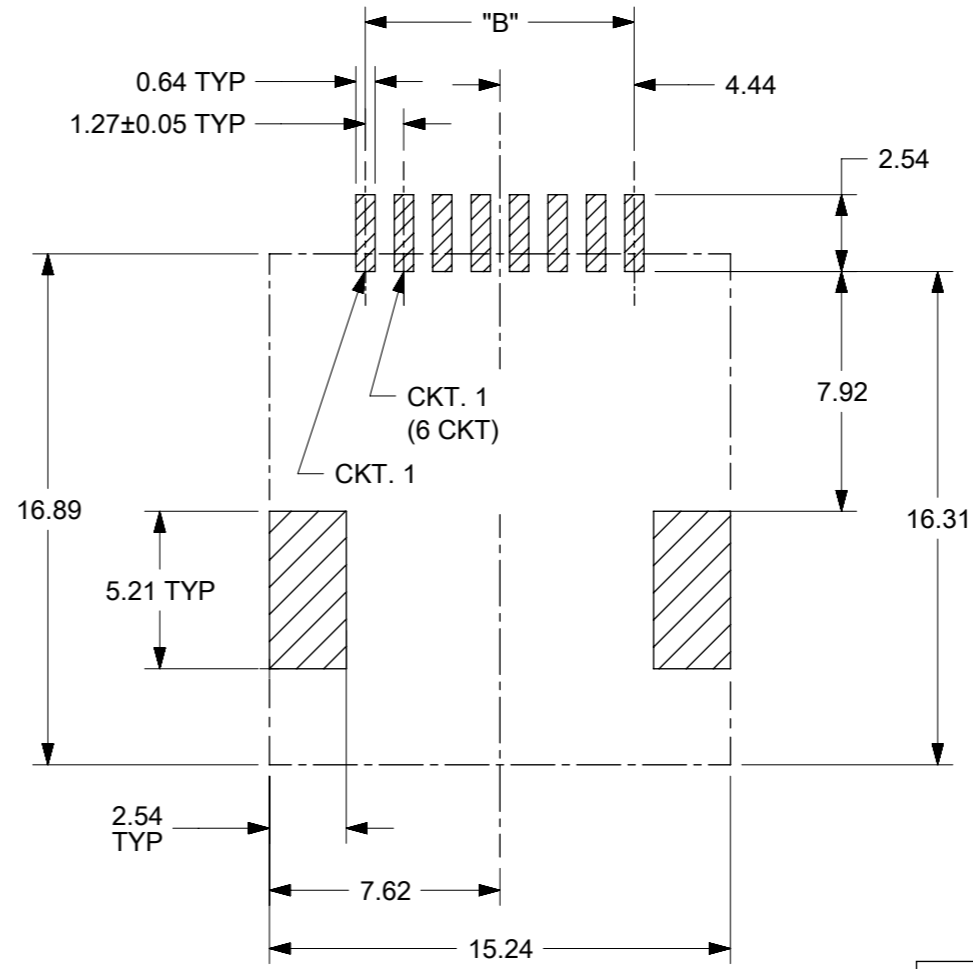
	ASSEMBLY ITEM NO.	CONNECTOR SIZE	CIRCUIT SIZE	TERMINAL PLATING	TAPE & REEL PACKAGING No.	VOIDED CIRCUITS	HOUSING COLOR
X	44144-0001	8	4	A	PK-70873-7002	NA	BLACK
X	44144-0002	8	6	A	PK-70873-7002		
	44144-0003	8	8	A	PK-70873-7002		
	44144-0004	6	4	A	PK-70873-7001		
	44144-0005	6	6	A	PK-70873-7001		
X	44144-0006	8	4	B	PK-70873-7002		
X	44144-0007	8	6	B	PK-70873-7002		
X	44144-0008	8	8	B	PK-70873-7002		
X	44144-0009	6	4	B	PK-70873-7001		
X	44144-0010	6	6	B	PK-70873-7001		
X	44144-0011	8	4	C	PK-70873-7002		
X	44144-0012	8	6	C	PK-70873-7002		
	44144-0013	8	8	C	PK-70873-7002		
	44144-0014	6	4	C	PK-70873-7001	▼	
X	44144-0015	6	6	C	PK-70873-7001	NA	
X	44144-0016	8	4	C	PK-70873-7001	2,3,6,7	
X	44144-0017	6	2	A	PK-70873-7001	NA	
X	44144-0018	6	2	B	PK-70873-7001		
X	44144-0019	6	2	C	PK-70873-7001	▼	
X	44144-0023	8	2	A	PK-70873-7002	NA	

- NOTES :
- MATERIALS:  
HOUSING: NYLON, GLASS-FILLED, UL94V-0; COLOR - SEE CHART  
TERMINALS: PHOSPHOR BRONZE, 0.30 mm THICK  
FITTING NAILS: BRASS ALLOY, 0.25 mm THICK
  - FINISH:  
TERMINALS:  
(A) SELECT GOLD IN CONTACT AREA: 0.00127 mm MIN.,  
\*SELECT MATTE TIN IN PC TAIL AREA: 0.00254 mm MIN.,  
WITH OVERALL NICKEL UNDERPLATE: 0.00127 mm MIN.  
(B) SELECT GOLD IN CONTACT AREA: 0.00076 mm MIN.,  
\*SELECT MATTE TIN IN PC TAIL AREA: 0.00254 mm MIN.,  
WITH OVERALL NICKEL UNDERPLATE: 0.00127 mm MIN.  
(C) SELECT GOLD IN CONTACT AREA: 0.00038 mm MIN.,  
\*SELECT MATTE TIN IN PC TAIL AREA: 0.00254 mm MIN.,  
WITH OVERALL NICKEL UNDERPLATE: 0.00127 mm MIN.  
FITTING NAILS:  
\*2.54 MICROMETER MATTE TIN OVER 1.27 MICROMETER NICKEL UNDERPLATE  
\*THE PRIMARY SHIPPING CARTON WILL BE LABELED "ELV AND RoHS COMPLIANT" CARTONS WITHOUT THIS LABEL MAY CONTAIN PRODUCT WITH TIN-LEAD IN THE PC TAIL AND/OR FITTING NAILS.
  - PRODUCT SPECIFICATION: PS-43743-0001
  - COPLANARITY SPECIFICATION:  
WITH THE MODULAR JACK SITTING ON A LEVEL SURFACE, THE MAXIMUM GAP BETWEEN THE LEVEL SURFACE AND ALL TERMINAL TAILS AND BOTH FITTING NAILS IS 0.15 mm.
  - FOR ASSEMBLIES HAVING VOIDED CIRCUITS, THE TAIL PORTION IS CUT AND REMOVED. THE MATING PORTION OF THE TERMINAL REMAINS INTACT.
  - CONVECTION SOLDERING TECHNOLOGY SHOULD BE USED WHEN GANGING MODULAR JACKS WITH INBOARD NAILS SIDE-BY-SIDE.
  - THIS PART CONFORMS TO CLASS B REQUIREMENTS OF COSMETIC SPECIFICATION PS-45499-002.

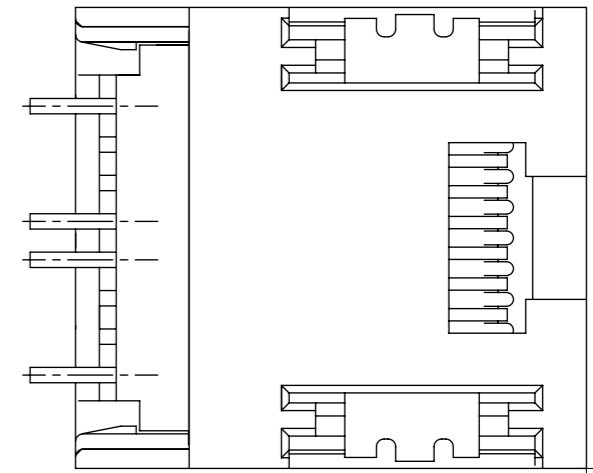
SYMBOLS	THIS DRAWING CONTAINS INFORMATION THAT IS PROPRIETARY TO MOLEX ELECTRONIC TECHNOLOGIES, LLC AND SHOULD NOT BE USED WITHOUT WRITTEN PERMISSION		CURRENT REV DESC: MIGRATED TO NX		<b>molex</b>		
	DIMENSION UNITS	SCALE					
▽ = 0	mm	3:1			4, 6, 8 CIRCUIT SMT MODULAR JACK W/ FLUSH FITTING NAILS		
▽ = 0	GENERAL TOLERANCES (UNLESS SPECIFIED)				PRODUCT CUSTOMER DRAWING		
▽ = 0	ANGULAR TOL ± 0.5°				DOCUMENT NUMBER		
▽ = 0	4 PLACES ±		EC NO: 173578		DOC TYPE		
▽ = 0	3 PLACES ±		DRWN: VK10 2018/01/10		DOC PART		
▽ = 0	2 PLACES ± 0.25		CHK'D: KLANG 2018/03/23		REVISION		
▽ = 0	1 PLACE ± 0.38		APPR: KLANG 2018/03/23		SD-44144-001		
▽ = 0	0 PLACES ±		INITIAL REVISION:		PSD 001 H7		
▽ = 0	DRAFT WHERE APPLICABLE MUST REMAIN WITHIN DIMENSIONS		DRWN: AFENG02 2017/02/23		MATERIAL NUMBER		
▽ = 0	THIRD ANGLE PROJECTION		APPR: KLANG 2017/02/27		CUSTOMER		
▽ = 0	DRAWING		SERIES		SHEET NUMBER		
▽ = 0	A3-SIZE		44144		1 OF 2		



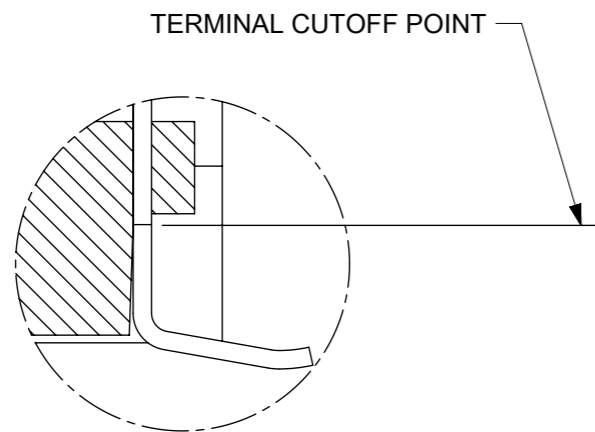
PCB LAYOUT FOR CONNECTOR SIZE 6  
(COMPONENT SIDE OF BOARD)



PCB LAYOUT FOR CONNECTOR SIZE 8  
(COMPONENT SIDE OF BOARD)

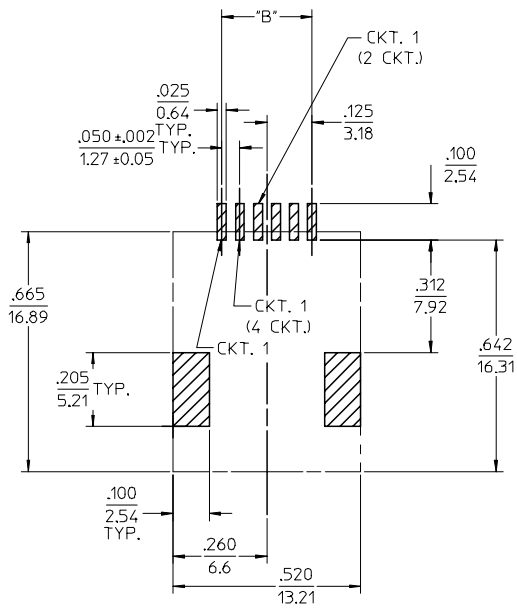


TYPICAL VIEW SHOWING VOIDED CIRCUIT  
44144-0016 SHOWN

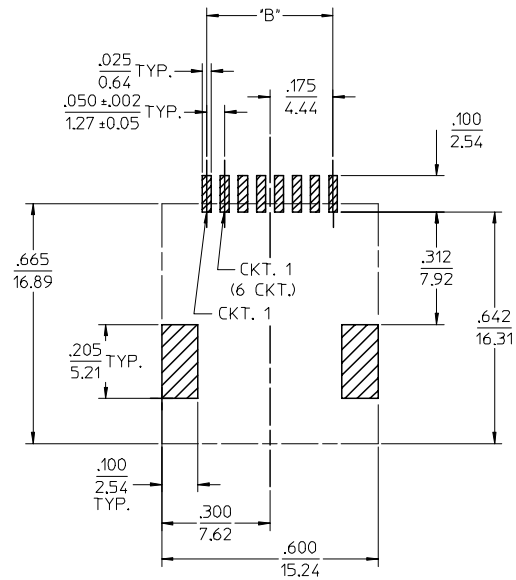


VIEW SHOWING TYPICAL TERMINAL  
CUTOFF OF TAIL (SEE NOTE 5) FOR VOIDED CIRCUITS.

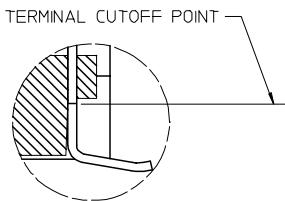
SYMBOLS	THIS DRAWING CONTAINS INFORMATION THAT IS PROPRIETARY TO MOLEX ELECTRONIC TECHNOLOGIES, LLC AND SHOULD NOT BE USED WITHOUT WRITTEN PERMISSION		CURRENT REV DESC: MIGRATED TO NX		<b>molex</b>
	mm	SCALE 4:1			
▽ = 0	GENERAL TOLERANCES (UNLESS SPECIFIED)		EC NO: 173578		4, 6, 8 CIRCUIT SMT MODULAR JACK W/ FLUSH FITTING NAILS
▽ = 0	ANGULAR TOL ± 0.5°		DRWN: VK10 2018/01/10		
▽ = 0	4 PLACES ±		CHK'D: KLANG 2018/03/23		PRODUCT CUSTOMER DRAWING
▽ = 0	3 PLACES ±		APPR: KLANG 2018/03/23		
▽ = 0	2 PLACES ± 0.25		INITIAL REVISION:		DOCUMENT NUMBER SD-44144-001
▽ = 0	1 PLACE ± 0.38		DRWN: AFENG02 2017/02/23		
▽ = 0	0 PLACES ±		APPR: KLANG 2017/02/27		DOC TYPE PSD
■ = 0	DRAFT WHERE APPLICABLE MUST REMAIN WITHIN DIMENSIONS		THIRD ANGLE PROJECTION	DRAWING A3-SIZE	SERIES 44144
▽ = 0			MATERIAL NUMBER SEE CHART	CUSTOMER GENERAL MARKET	REVISION H7
DOCUMENT STATUS P1			RELEASE DATE 2018/03/23	01:56:26	SHEET NUMBER 2 OF 2



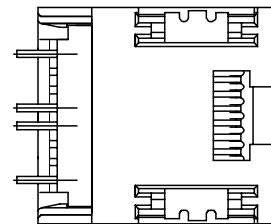
PCB LAYOUT FOR CONNECTOR SIZE 6  
(COMPONENT SIDE OF BOARD)



PCB LAYOUT FOR CONNECTOR SIZE 8  
(COMPONENT SIDE OF BOARD)



VIEW SHOWING TYPICAL TERMINAL  
CUTOFF OF TAIL (SEE NOTE 5) FOR VOIDED CIRCUITS.



TYPICAL VIEW SHOWING VOIDED CIRCUIT  
44144-0016 SHOWN

SEE SHEET ONE EC NO: UCP2004-0798 DRW:LSCHMIDT 2004/01/05 CHKD:LSCHMIDT 2004/01/05 APPR:FSMITH 2004/01/08	QUALITY SYMBOLS	GENERAL TOLERANCES (UNLESS SPECIFIED)	SCALE 4:1	DESIGN UNITS INCH	THIRD ANGLE PROJECTION	REVISE ON CAD ONLY																																		
	DESCRIPTION ▽ = 0 ▽ = 0	<table border="1"> <thead> <tr> <th></th> <th>mm</th> <th>INCH</th> </tr> </thead> <tbody> <tr> <td>4 PLACES</td> <td>± .010</td> <td>± .0004</td> </tr> <tr> <td>3 PLACES</td> <td>± .015</td> <td>± .0005</td> </tr> <tr> <td>2 PLACES</td> <td>± 0.25</td> <td>± .010</td> </tr> <tr> <td>1 PLACE</td> <td>± 0.38</td> <td>± .015</td> </tr> </tbody> </table>		mm	INCH	4 PLACES	± .010	± .0004	3 PLACES	± .015	± .0005	2 PLACES	± 0.25	± .010	1 PLACE	± 0.38	± .015	<table border="1"> <thead> <tr> <th colspan="2">DIMENSION STYLE</th> </tr> <tr> <th>IN/MM</th> <th>DATE</th> </tr> </thead> <tbody> <tr> <td>DRAWN BY</td> <td>00/04/07</td> </tr> <tr> <td>DATE</td> <td>00/04/07</td> </tr> <tr> <td>CHECKED BY</td> <td>00/04/07</td> </tr> <tr> <td>DATE</td> <td>00/04/07</td> </tr> <tr> <td>BWIRKUS</td> <td>00/04/07</td> </tr> <tr> <td>APPROVED BY</td> <td>00/04/07</td> </tr> <tr> <td>DATE</td> <td>00/04/07</td> </tr> <tr> <td>R EDGLEY</td> <td>00/04/07</td> </tr> </tbody> </table>	DIMENSION STYLE		IN/MM	DATE	DRAWN BY	00/04/07	DATE	00/04/07	CHECKED BY	00/04/07	DATE	00/04/07	BWIRKUS	00/04/07	APPROVED BY	00/04/07	DATE	00/04/07	R EDGLEY	00/04/07	TITLE	
			mm	INCH																																				
		4 PLACES	± .010	± .0004																																				
3 PLACES	± .015	± .0005																																						
2 PLACES	± 0.25	± .010																																						
1 PLACE	± 0.38	± .015																																						
DIMENSION STYLE																																								
IN/MM	DATE																																							
DRAWN BY	00/04/07																																							
DATE	00/04/07																																							
CHECKED BY	00/04/07																																							
DATE	00/04/07																																							
BWIRKUS	00/04/07																																							
APPROVED BY	00/04/07																																							
DATE	00/04/07																																							
R EDGLEY	00/04/07																																							
	DRAFT WHERE APPLICABLE MUST REMAIN WITHIN DIMENSIONS	THIS DRAWING CONTAINS INFORMATION THAT IS PROPRIETARY TO MOLEX INCORPORATED AND SHOULD NOT BE USED WITHOUT WRITTEN PERMISSION																																						
					4, 6, 8 CIRCUIT SMT MODULAR JACK W/ FLUSH FITTING NAILS MOLEX INCORPORATED	MATERIAL NO. SEE CHART	DOCUMENT NO. SD-44144-001	SHEET NO. 2 OF 2																																