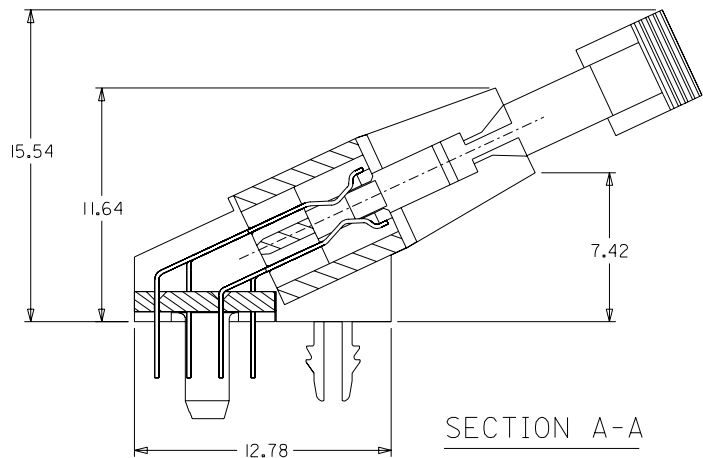
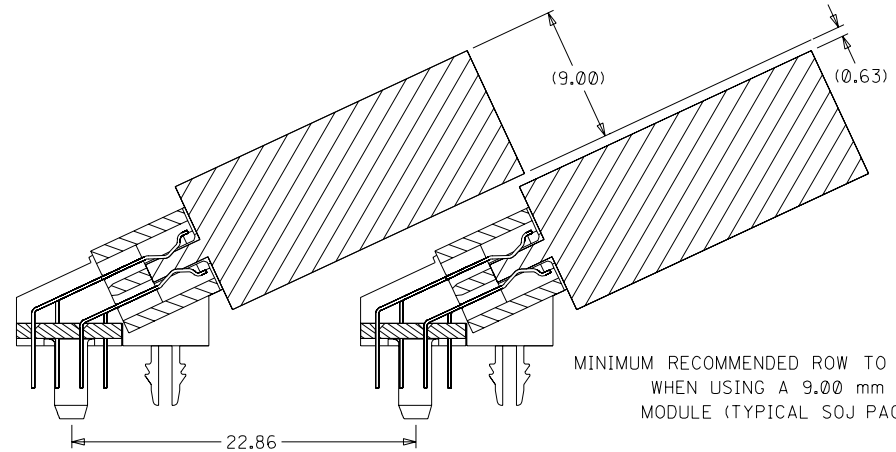


MINIMUM RECOMMENDED ROW TO ROW SPACING
WHEN USING A 4.00 mm THICK
MODULE (TYPICAL TSOP PACKAGING)



SECTION A-A

MATERIAL NO.	FUNCTION KEY	DATUM VOLTAGE KEY	TAIL LENGTH P±0.25	FINISHES: CONTACT AREA
87587-0048	LEFT	CENTER (3.3V)	2.79	SELECTIVE GOLD 0.38µM/15µ" MIN. GOLD OVER 1.27µM/50µ" MIN. NICKEL
87587-0049	CENTER			
87587-0050	RIGHT			
87587-0057	LEFT		3.18	
87587-0058	CENTER			SELECTIVE GOLD 0.76µM/30µ" MIN. GOLD OVER 1.27µM/50µ" MIN. NICKEL
87587-0059	RIGHT			
87587-0148	LEFT		2.79	
87587-0149	CENTER			
87587-0150	RIGHT			SELECTIVE GOLD 0.76µM/30µ" MIN. GOLD OVER 1.27µM/50µ" MIN. NICKEL
87587-0157	LEFT		3.18	
87587-0158	CENTER			
87587-0159	RIGHT			



MINIMUM RECOMMENDED ROW TO ROW SPACING
WHEN USING A 9.00 mm THICK
MODULE (TYPICAL SOJ PACKAGING)

EC NO. S2003-0620 DRWN: YSKHOANG030623 CHK: PT LIM 030701 APPR: SK TOH 030702	QUALITY SYMBOLS MAJOR ▼ = 0 CRITICAL ▽ = 0	GENERAL TOLERANCES: (UNLESS SPECIFIED)		SCALE NTS	DESIGN UNITS <input checked="" type="checkbox"/> mm <input type="checkbox"/> INCH	THIRD ANGLE PROJECTION	DIMENSIONS: <input type="checkbox"/> mm <input type="checkbox"/> INCH <input type="checkbox"/> mm <input type="checkbox"/> INCH	SHT	REV
		4 PLACES ±0.--- ±.	3 PLACES ±0.--- ±.	2 PLACES ±0.25 ±.	1 PLACE ±0.--- ±.	ANGULAR: ± 5°	DRAWN BY & DATE L.P.LIM 990319	TITLE: 1.27 MM PITCH 25 DEG I68 CKTS MULTI-KEY DIMM	
B I	REV	APPROVED BY & DATE S.K.TOH 990615			APPROVED BY & DATE K.C.LING 990614		MATERIAL NO. DRAWING NO. SHEET NO. SEE TABLE SD-87587-001 3 OF 3		
		CAD FILENAME SD-87587-001.S03			MATERIAL NO. DRAWING NO. SHEET NO. SEE TABLE SD-87587-001 3 OF 3			THIS DRAWING CONTAINS INFORMATION THAT IS PROPRIETARY TO MOLEX INCORPORATED AND SHOULD NOT BE USED WITHOUT WRITTEN PERMISSION.	