

**PLEASE CHECK WWW.MOLEX.COM FOR LATEST PART INFORMATION**

**Part Number:** [78011-0011](#)  
**Status:** **Active**  
**Overview:** Serial ATA Host Receptacles  
**Description:** 1.27mm Pitch Serial ATA Host Receptacle, 8.15mm Height, SMT, Vertical, with 1.00mm Plastic Locating Peg, Pick-and-Place Cap, 0.76µm Gold (Au) Selective Plating, 22 Circuits, Lead-Free

**Documents:**

[3D Model](#) [Product Specification PS-78011-002 \(PDF\)](#)  
[Drawing \(PDF\)](#) [RoHS Certificate of Compliance \(PDF\)](#)

**Agency Certification**

CSA LR19980  
 UL E29179

**General**

Product Family PCB Receptacles  
 Series [78011](#)  
 Application Board-to-Board, Signal  
 Comments <LI>1.00mm Plastic Locating Peg<LI> With Cap  
 Overview [Serial ATA Host Receptacles](#)  
 Product Name Serial ATA  
 UPC 822350343046

**Physical**

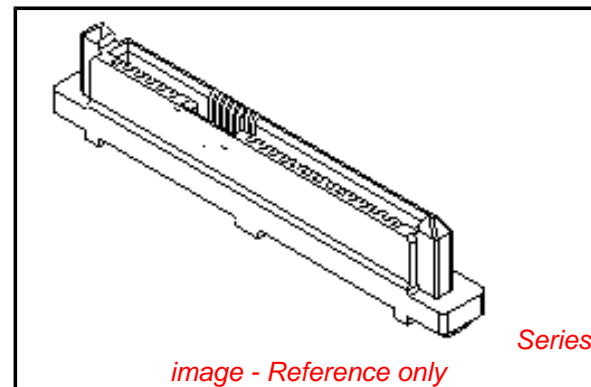
(p)ower-(s)ignal Configuration 15p - 7s  
 Circuits (Loaded) 22  
 Circuits (maximum) 22  
 Durability (mating cycles max) 500  
 Flammability 94V-0  
 Glow-Wire Compliant No  
 Lock to Mating Part Yes  
 Material - Metal Copper Alloy  
 Material - Plating Mating Gold  
 Material - Plating Termination Tin  
 Net Weight 1.852/g  
 Number of Rows 1  
 Orientation Vertical  
 PCB Locator Yes  
 PCB Retention Yes  
 Packaging Type Embossed Tape on Reel  
 Pitch - Mating Interface 1.27mm  
 Plating min - Mating 0.762µm  
 Plating min - Termination 2.540µm  
 Polarized to Mating Part Yes  
 Polarized to PCB Yes  
 Surface Mount Compatible (SMC) N/A  
 Temperature Range - Operating -40°C to +105°C  
 Termination Interface: Style Surface Mount

**Electrical**

Current - Maximum per Contact 1.5A  
 Voltage - Maximum 30V

**Solder Process Data**

Duration at Max. Process Temperature (seconds) 10  
 Lead-free Process Capability Reflow Capable (SMT only)



**EU RoHS**

**ELV and RoHS Compliant**  
**REACH SVHC Contains SVHC: No**  
**Low-Halogen Status Not Low-Halogen**

**China RoHS**



**Need more information on product environmental compliance?**

Email [productcompliance@molex.com](mailto:productcompliance@molex.com)  
 For a multiple part number RoHS Certificate of Compliance, [click here](#)

Please visit the [Contact Us](#) section for any non-product compliance questions.

**Search Parts in this Series**

[78011Series](#)

**Mates With**

[78012](#) Serial Attached SCSI Combo Device Plug, [87679](#) Serial ATA Combo Plug, [87703](#) Serial ATA Combo Plug, [87799](#) Serial ATA Combo Plug

Max. Cycles at Max. Process Temperature	1
Process Temperature max. C	260

### **Material Info**

### **Reference - Drawing Numbers**

Electrical Model Document	EE-78011-001
Product Specification	PS-78011-002
S-Parameter Model	SP-78011-001
Sales Drawing	SD-78011-101

This document was generated on 10/25/2012

**PLEASE CHECK [WWW.MOLEX.COM](http://WWW.MOLEX.COM) FOR LATEST PART INFORMATION**