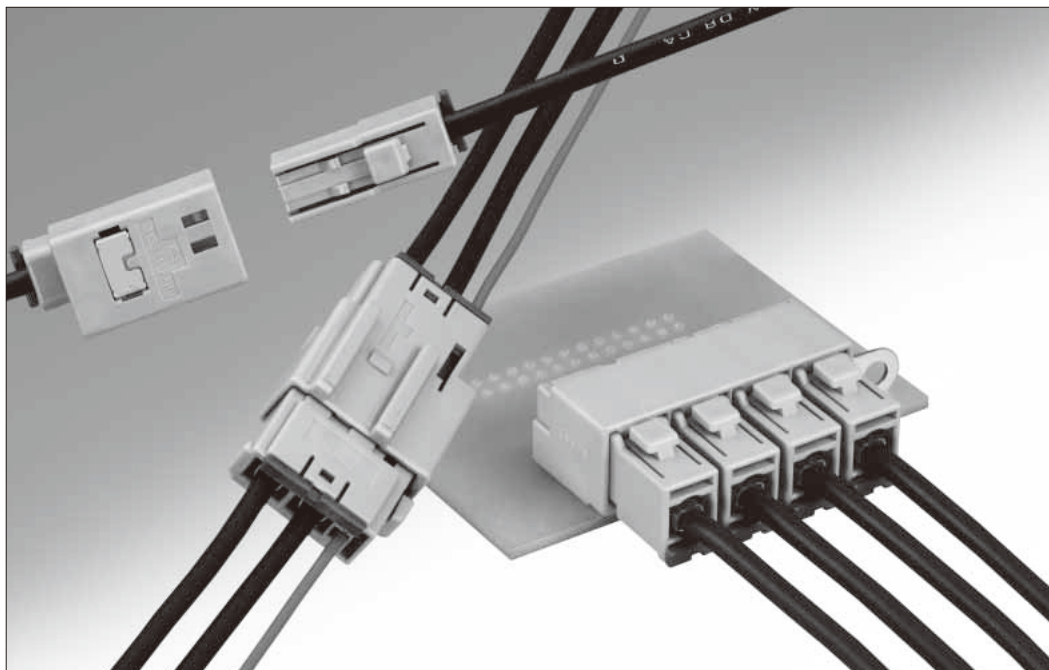


Shielded connectors using twin crimp technology for in-vehicle application

GT13 Series

– Space-saving connectors for coaxial cables –

<In-line and PCB type.>



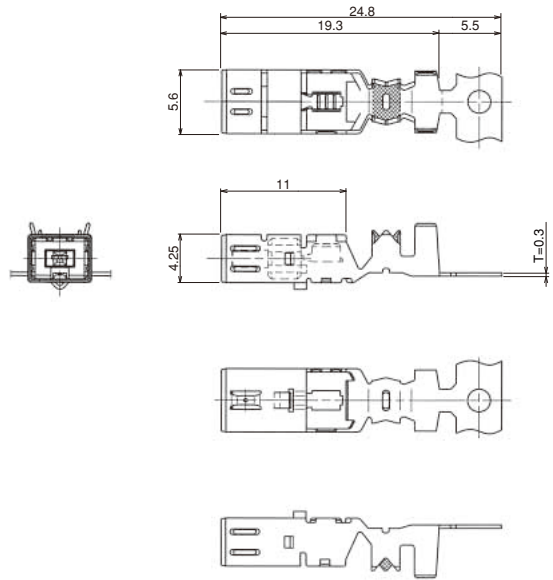
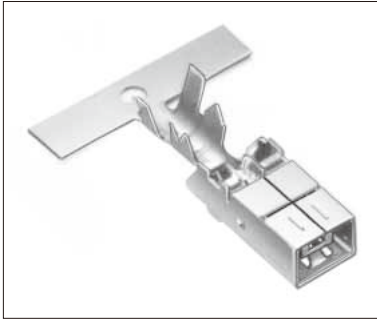
■ Features

- **Low cost cable assembly**
Highly efficient and reliable one step crimp termination allows high volume production with semi-automatic equipment.
- **Space-saving design**
Compact and light comparing to HRS GT5 series.

■ Applications

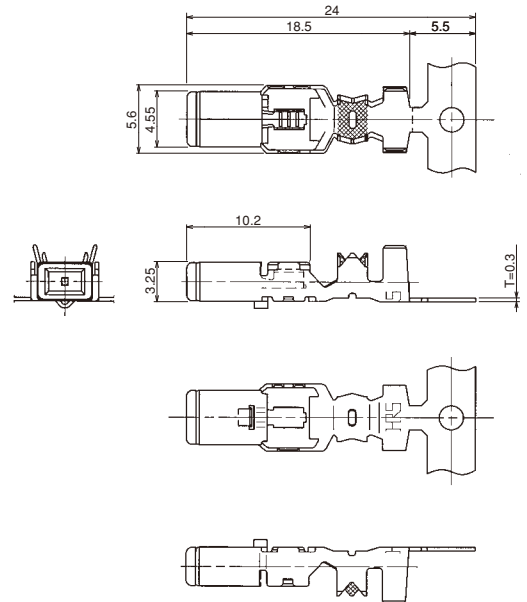
automotive audio systems.

F Terminals



| Part No. | HRS No. | Material/Plating or Color | Conductor Size (AWG) | Inner Insulation Diameter | Outer Diameter | Packaging | RoHS |
|--------------------------|---------------|--|----------------------|---------------------------|----------------|-----------------|------|
| GT13-2428/1.6-2.9SCF(70) | 763-0001-3 70 | Insulator : PBT/Dark Gray Center terminal : Copper alloy / Tin plating Outer terminal : Copper alloy / Tin plating | 24 to 28 AWG | φ1.5 to 2.0 | φ2.7 to 3.4 | 3,000 pcs /reel | YES |
| GT13-30/1.6-2.9SCF(70) | 763-0012-0 70 | | 30 AWG | | φ2.3 to 2.7 | | |
| GT13-2428/1.6-2.5SCF(70) | 763-0042-0 70 | | 24 to 28 AWG | φ3.0 to 3.6 | φ4.6 to 5.0 | 2,200 pcs /reel | |
| GT13-2428/F4-5SCF(70) | 763-0051-1 70 | | 30 AWG | | φ4.6 to 5.0 | | |
| GT13-30/F4-5SCF(70) | 763-0067-1 70 | | 20 to 22 AWG | φ3.0 to 3.6 | φ4.6 to 5.0 | | |
| GT13-30/F3.3-3.8SCF(70) | 763-0052-4 70 | | | φ2.5 to 2.9 | φ3.6 to 4.0 | | |
| GT13-2022/F4-5SCF(70) | 763-0068-4 70 | | φ3.0 to 3.6 | φ4.6 to 5.0 | | | |

M Terminals

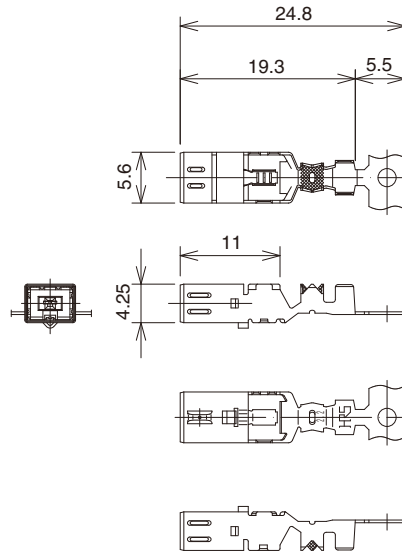
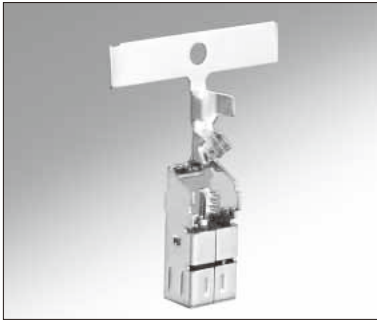


| Part No. | HRS No. | Material/Plating or Color | Conductor Size (AWG) | Inner Insulation Diameter | Outer Diameter | Packaging | RoHS |
|---------------------------|---------------|--|----------------------|---------------------------|----------------|-----------------|------|
| GT13-2428/1.6-2.9PCF(70) | 763-0002-6 70 | Insulator : PBT/Dark Gray Center terminal : Copper alloy / Tin plating Outer terminal : Copper alloy / Tin plating | 24 to 28 AWG | φ1.5 to 2.0 | φ2.7 to 3.4 | 4,000 pcs /reel | YES |
| GT13-30/1.6-2.9PCF(70) | 763-0041-8 70 | | 30 AWG | | φ2.3 to 2.7 | | |
| GT13-2428/1.6-2.5PCF(70) | 763-0069-7 70 | | 24 to 28 AWG | φ3.0 to 3.6 | φ4.6 to 5.0 | 2,200 pcs /reel | |
| GT13-2428/F4-5PCF(70) | 763-0054-0 70 | | 30 AWG | | φ4.6 to 5.0 | | |
| GT13-30/F4-5PCF(70) | 763-0066-9 70 | | 24 to 28 AWG | φ2.5 to 2.9 | φ3.6 to 4.0 | | |
| GT13-30/F3.3-3.8PCF(70) | 763-0053-7 70 | | | φ3.0 to 3.6 | φ4.6 to 5.0 | | |
| GT13-2428/F3.3-3.8PCF(70) | 763-0079-0 70 | | φ3.0 to 3.6 | φ4.6 to 5.0 | | | |
| GT13-2022/F4-5PCF(70) | 763-0070-6 70 | | φ3.0 to 3.6 | φ4.6 to 5.0 | | | |

For Antenna

- GT5
- GT13
- GT16
- PO5G
- GT19
- GT21
- GT26
- GT36
- GT111
- GT17
- GT32
- GT3
- GT7
- GT10
- GT18W
- GT25
- GT8E
- GT9
- GT15

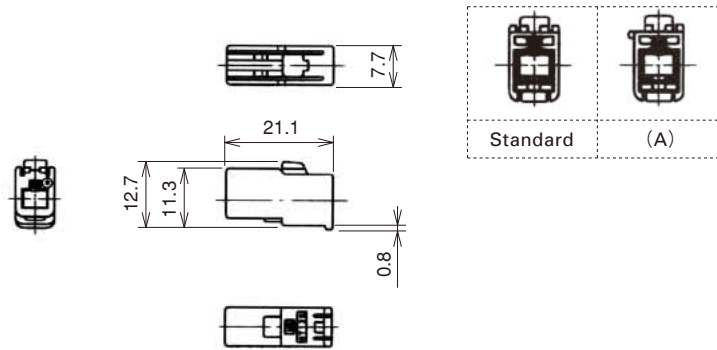
Low insertion F Terminals



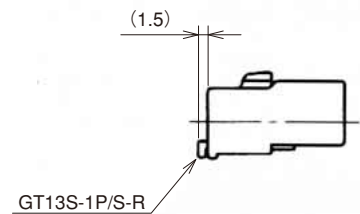
| Part No. | HRS No. | Material/Plating or Color | Conductor Size (AWG) | Inner Insulation Diameter | Outer Diameter | Packaging | RoHS |
|-----------------------|---------------|--|----------------------|---------------------------|----------------|----------------|------|
| GT13L-2428/1.1-2.2SCF | 763-0115-2 00 | Insulator : PBT/Dark Gray Center terminal : Copper alloy/ Tin plating Outer terminal : Copper alloy/ Tin plating | 24 to 28 AWG | φ1.0 to 1.4 | φ2.0 to 2.4 | 3,000 pcs/reel | YES |

13S Series

F Housing (1 coaxial)



◆ Retainer assembled

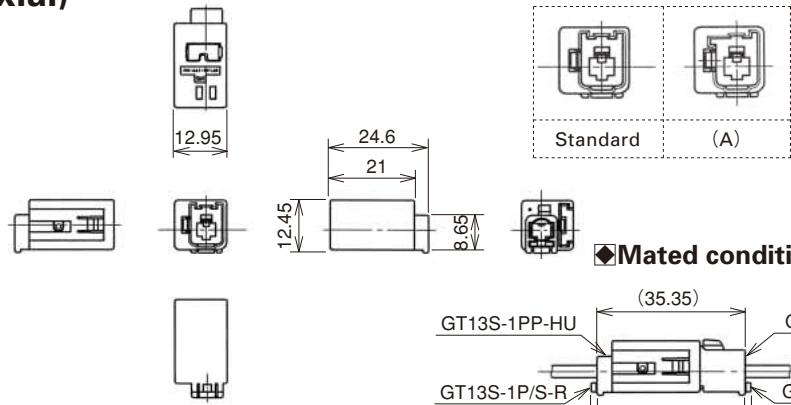


| Part No. | HRS No. | Material | Color | Key polarizing code | Packaging | RoHS |
|----------------|---------------|----------|------------|---------------------|-----------|------|
| GT13S-1S-HU | 763-0024-9 00 | PBT | Light Gray | Standard | 1 | YES |
| GT13S-1S-HU(A) | 763-0025-1 00 | | Brown | (A) | | |

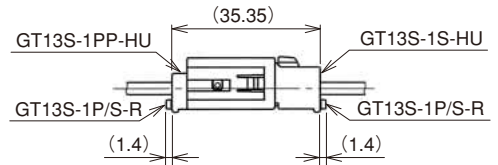
Jun.1.2018 Copyright 2018 HIROSE ELECTRIC CO., LTD. All Rights Reserved.

- GT5
- GT13
- GT16
- PO5G
- GT19
- GT21
- GT26
- GT36
- GT11
- GT17
- GT32
- GT3
- GT7
- GT10
- GT18W
- GT25
- GT8E
- GT9
- GT15

M Housing (1 coaxial)

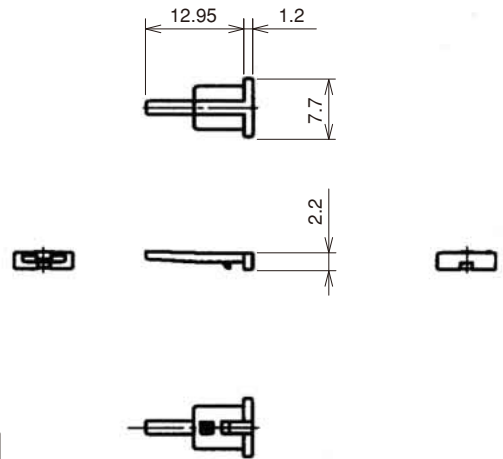


◆ Mated condition



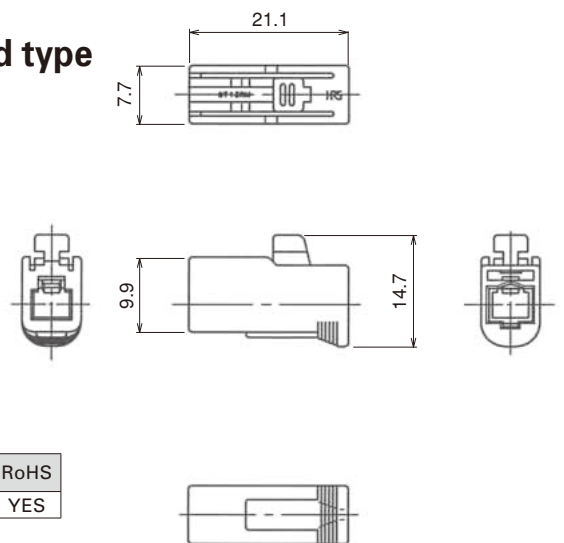
| Part No. | HRS No. | Material/Plating | Color | Key polarizing code | Packaging | RoHS |
|-----------------|---------------|--|------------|---------------------|-----------|------|
| GT13S-1PP-HU | 763-0030-1 00 | Housing : PBT | Light Gray | Standard | 1 | YES |
| GT13S-1PP-HU(A) | 763-0031-4 00 | Ground terminal : Copper alloy/Tin plating | Brown | (A) | | |

Retainer



| Part No. | HRS No. | Material | Color | Packaging | RoHS |
|--------------|---------------|----------|-----------|-----------|------|
| GT13S-1P/S-R | 763-0033-0 00 | PBT | Dark Gray | 1 | YES |

F Housing (1 coaxial) No retainer required type

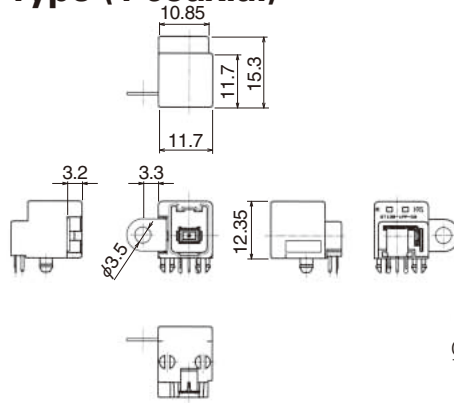


| Part No. | HRS No. | Material | Color | Packaging | RoHS |
|--------------|---------------|----------|------------|-----------|------|
| GT13RM-1S-HU | 763-0099-8 00 | PBT | Light Gray | 1 | YES |

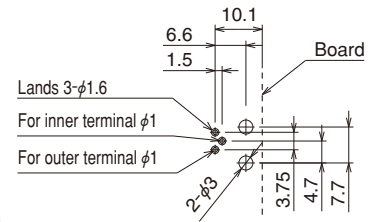
For Antenna

GT5
GT13
GT16
PO5G
GT19
GT21
GT26
GT36
GT11
GT17
GT32
GT3
GT7
GT10
GT18W
GT25
GT8E
GT9
GT15

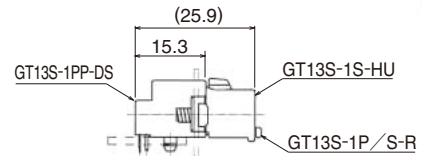
Printed Circuit Board Type (1 coaxial)



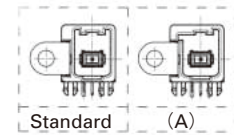
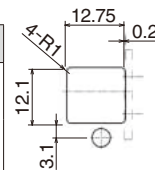
Recommended PCB pattern



Mated condition



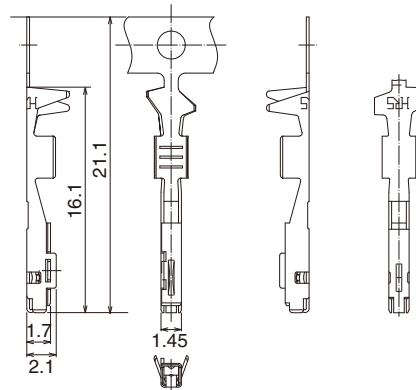
Recommended panel cutout dimension



| Part No. | HRS No. | Material/Plating | Color | Key polarizing code | Packaging | RoHS |
|-----------------|---------------|---|------------|---------------------|-----------|------|
| GT13S-1PP-DS | 763-0027-7 00 | Housing: PBT Center terminal: Copper alloy/Tin plating | Light Gray | Standard | 1 | YES |
| GT13S-1PP-DS(A) | 763-0028-0 00 | Outer terminal: Copper alloy/Tin plating Metal bracket: Copper alloy/Tin plating | Brown | (A) | | |

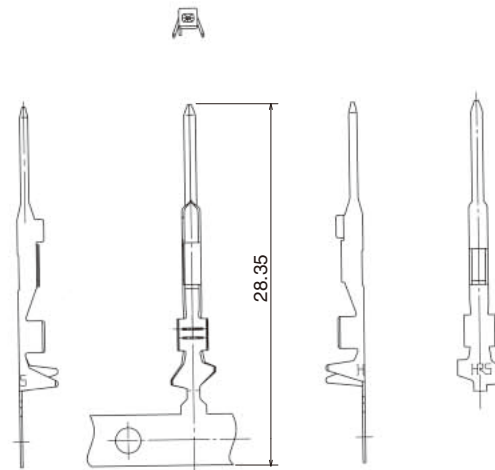
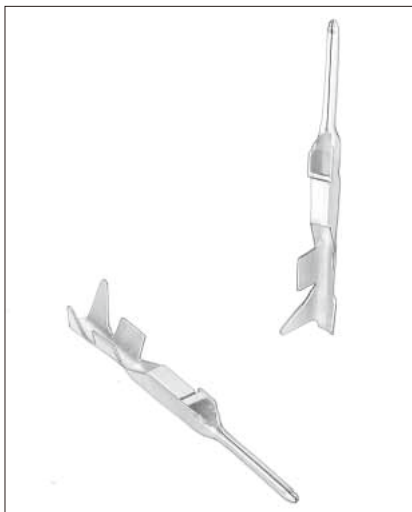
GT13SC Series

F Connector Power Supply Terminal



| Part No. | HRS No. | Material | Plating | Conductor Size (AWG) | Outer Diameter | Packaging | RoHS |
|---------------|------------|--------------|-------------|----------------------|----------------|----------------|------|
| GT10A-2022SCF | 760-0014-6 | Copper alloy | Tin plating | 20 to 22 AWG | $\phi 2.0$ Max | 8,000 pcs/reel | YES |

M Connector Power Supply Terminal

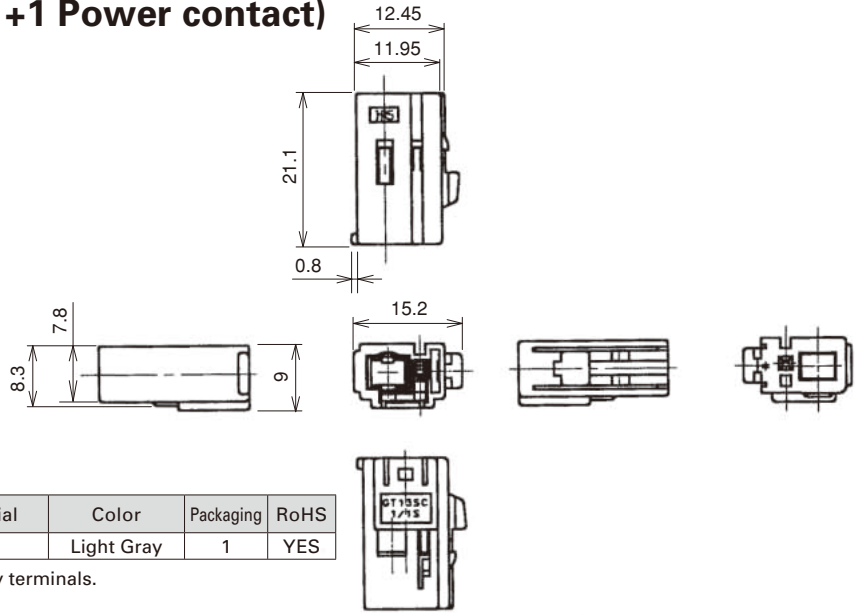
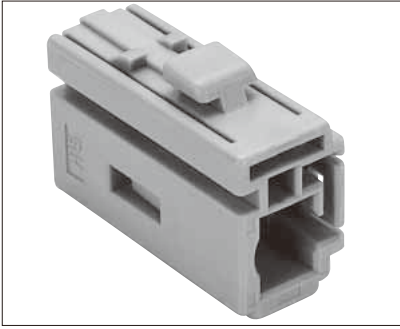


| Part No. | HRS No. | Material | Plating | Conductor Size (AWG) | Outer Diameter | Packaging | RoHS |
|----------------|---------------|--------------|-------------|----------------------|-------------------|-----------------|------|
| GT10SC-2022PCF | 760-0016-1 00 | Copper alloy | Tin plating | 20 to 22 AWG | $\phi 1.5$ to 2.0 | 7,000 pcs/reel | YES |
| GT10A-2022PCF | 760-0015-9 00 | | | | $\phi 2.0$ Max | 10,000 pcs/reel | |

Jun.1.2018 Copyright 2018 HIROSE ELECTRIC CO., LTD. All Rights Reserved. For Antenna

- GT5
- GT13
- GT16
- PO5G
- GT19
- GT21
- GT26
- GT36
- GT11
- GT17
- GT32
- GT3
- GT7
- GT10
- GT18W
- GT25
- GT8E
- GT9
- GT15

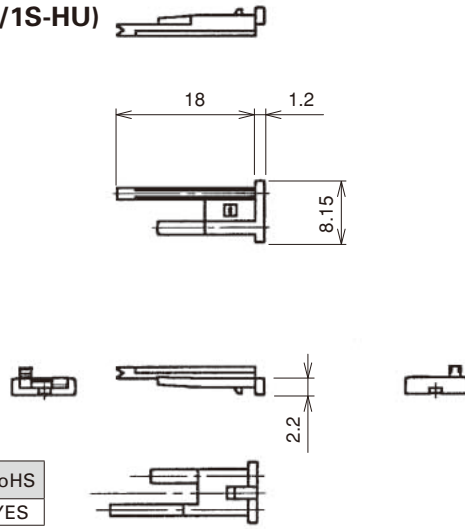
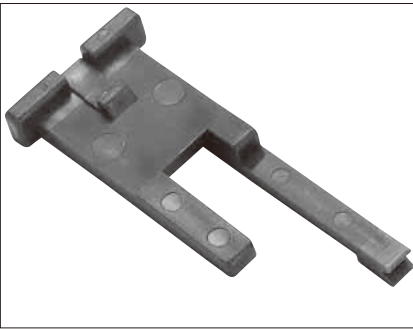
■ F Housing (1 Coaxial +1 Power contact)



| Part No. | HRS No. | Material | Color | Packaging | RoHS |
|----------------|---------------|----------|------------|-----------|------|
| GT13SC-1/1S-HU | 763-0010-4 00 | PBT | Light Gray | 1 | YES |

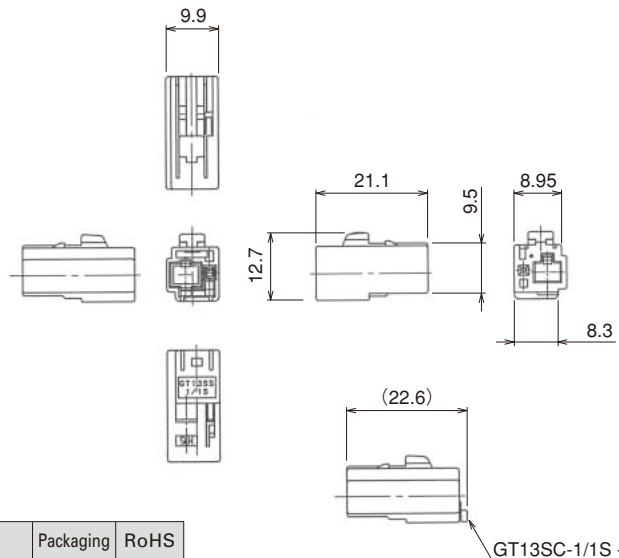
Note : GT10A-2022SCF is used for power supply terminals.

● Retainer (Used with GT13SC-1/1S-HU, GT13SS-1/1S-HU)



| Part No. | HRS No. | Material | Color | Packaging | RoHS |
|---------------|---------------|----------|-----------|-----------|------|
| GT13SC-1/1S-R | 763-0011-7 00 | PBT | Dark Gray | 1 | YES |

■ F Housing (1 Coaxial + 1 Power contact)

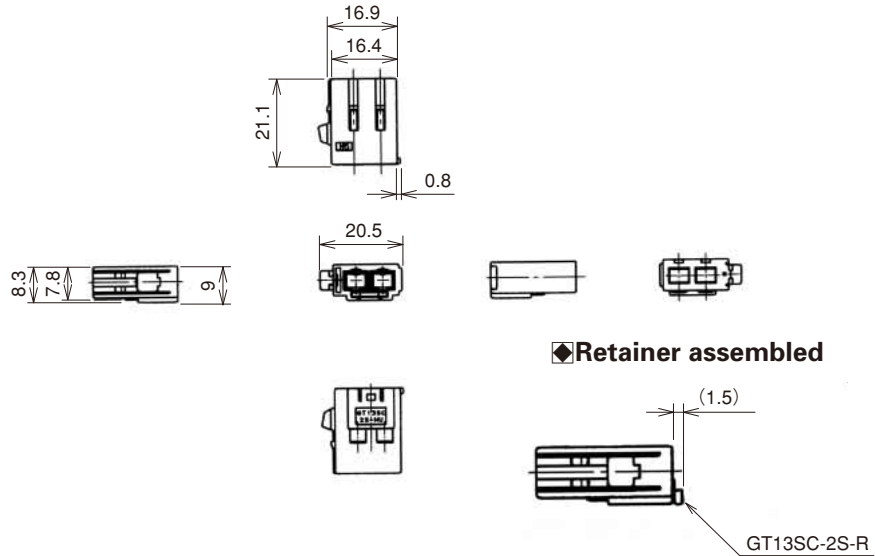


| Part No. | HRS No. | Material | Color | Packaging | RoHS |
|----------------|---------------|----------|------------|-----------|------|
| GT13SS-1/1S-HU | 763-0093-1 00 | PBT | Light Gray | 1 | YES |

Note : GT10A-2022SCF is used for power supply terminals.

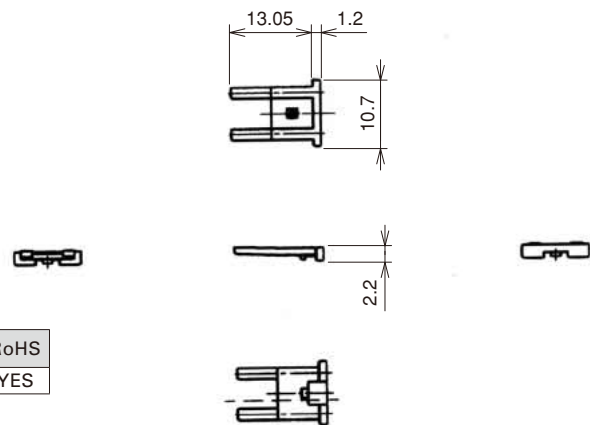
◆ Retainer assembled

■ F Housing (2 coaxials)



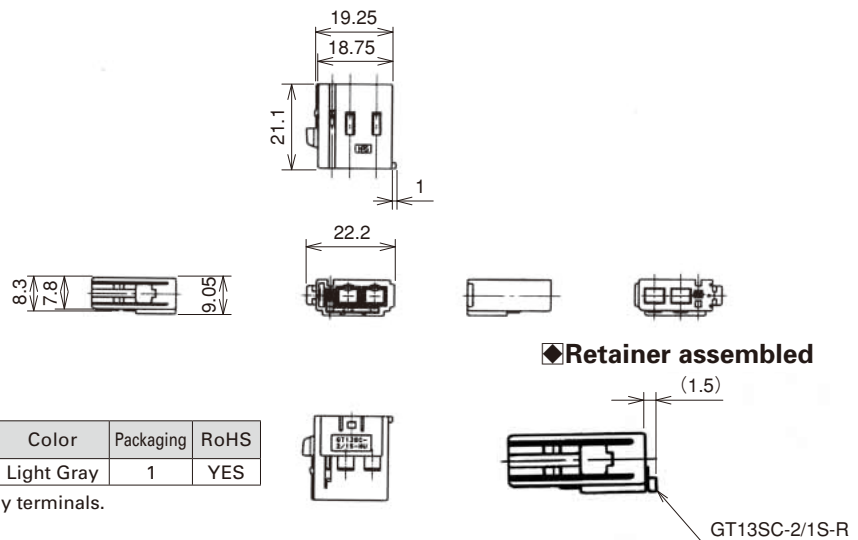
| Part No. | HRS No. | Material | Color | Key polarizing code | Packaging | RoHS |
|--------------|---------------|----------|------------|---------------------|-----------|------|
| GT13SC-2S-HU | 763-0014-5 00 | PBT | Light Gray | Standard | 1 | YES |

● Retainer (Used with GT13SC-2S-HU,GT13SCN-2PP-HU and GT13SCH-2PP-HU)



| Part No. | HRS No. | Material | Color | Packaging | RoHS |
|-------------|---------------|----------|-----------|-----------|------|
| GT13SC-2S-R | 763-0015-8 00 | PBT | Dark Gray | 1 | YES |

■ F Housing (2 Coaxials + 1 Power contact)



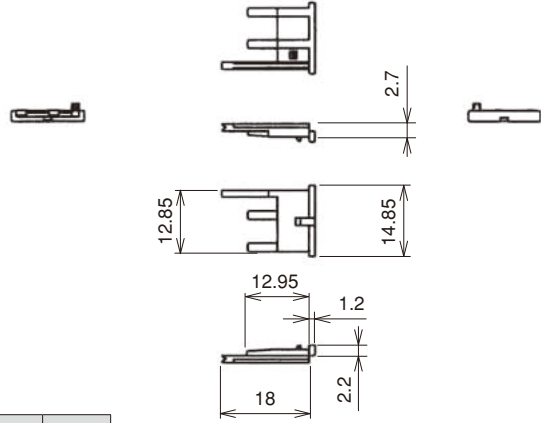
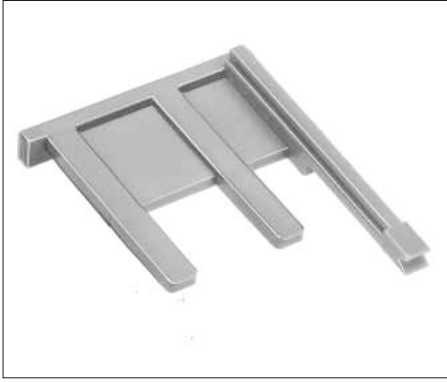
| Part No. | HRS No. | Material | Color | Packaging | RoHS |
|----------------|---------------|----------|------------|-----------|------|
| GT13SC-2/1S-HU | 763-0016-0 00 | PBT | Light Gray | 1 | YES |

Note : GT10A-2022SCF is used for power supply terminals.

Jun.1.2018 Copyright 2018 HIROSE ELECTRIC CO., LTD. All Rights Reserved for Antenna

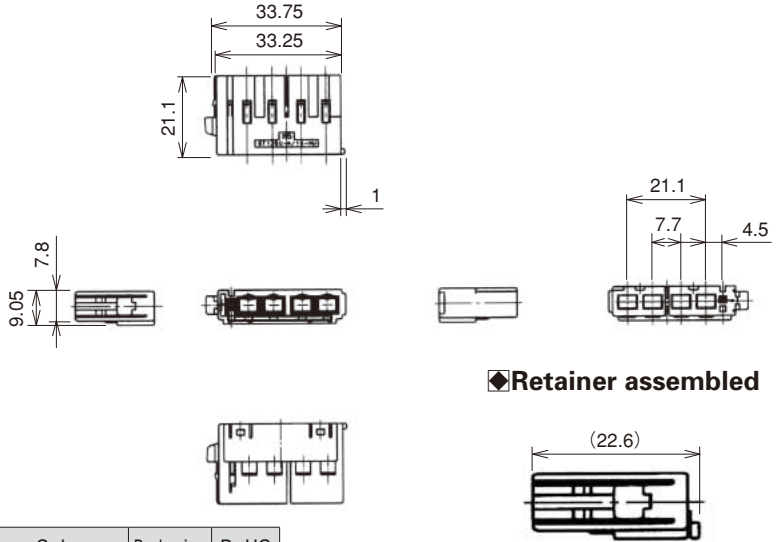
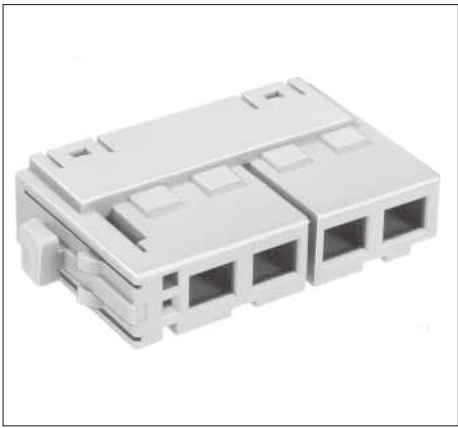
- GT5
- GT13**
- GT16
- PO5G
- GT19
- GT21
- GT26
- GT36
- GT11
- GT17
- GT32
- GT3
- GT7
- GT10
- GT18W
- GT25
- GT8E
- GT9
- GT15

● Retainer (Only for GT13SC-2/1S-HU)



| Part No. | HRS No. | Material | Color | Packaging | RoHS |
|---------------|---------------|----------|-----------|-----------|------|
| GT13SC-2/1S-R | 763-0017-3 00 | PBT | Dark Gray | 1 | YES |

■ F Housing (4 Coaxials + 1 Power contact)

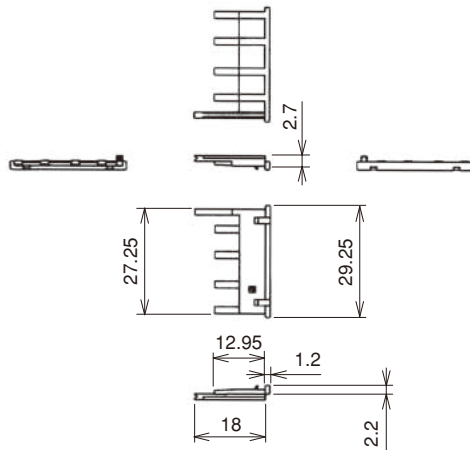
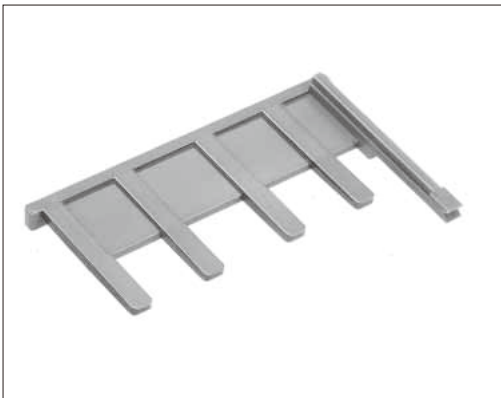


◆ Retainer assembled

| Part No. | HRS No. | Material | Color | Packaging | RoHS |
|-------------------|---------------|----------|------------|-----------|------|
| GT13SC-4/1S-HU | 763-0021-0 00 | PBT | Light Gray | 1 | YES |
| GT13SC-4/1S-HU(A) | 763-0022-3 00 | | Brown | | |

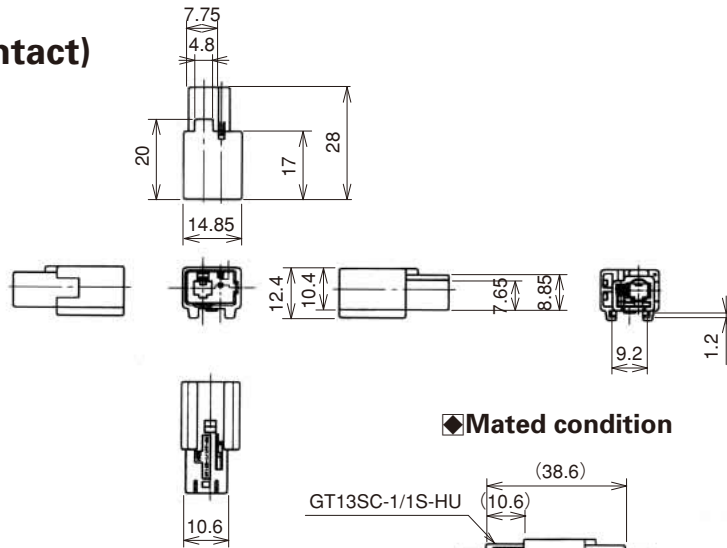
Note : GT10A-2022SCF is used for power supply terminals.

● Retainer (Only for GT13SC-4/1S-R)



| Part No. | HRS No. | Material | Color | Packaging | RoHS |
|---------------|---------------|----------|-----------|-----------|------|
| GT13SC-4/1S-R | 763-0023-6 00 | PBT | Dark Gray | 1 | YES |

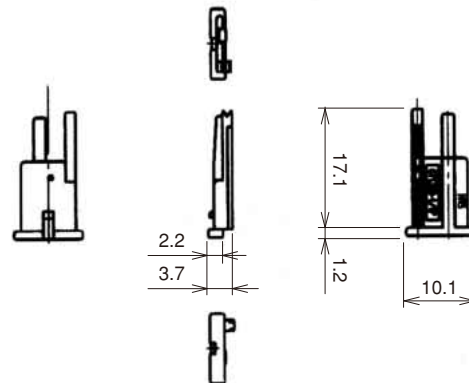
■ M Housing (1 Coaxial + 1 Power contact)



| Part No. | HRS No. | Material | Color | Packaging | RoHS |
|------------------|---------------|----------|------------|-----------|------|
| GT13SCN-1/1PP-HU | 763-0036-8 00 | PBT | Light Gray | 1 | YES |

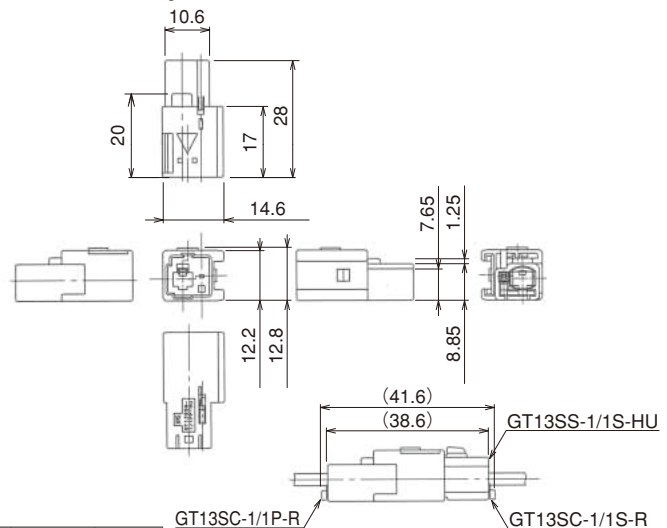
Note : GT10SC-2022PCF or GT10A-2022PCF is used for power supply terminals.

● Retainer



| Part No. | HRS No. | Material | Color | Packaging | RoHS |
|---------------|---------------|----------|-----------|-----------|------|
| GT13SC-1/1P-R | 763-0039-6 00 | PBT | Dark Gray | 1 | YES |

■ M Housing (1 Coaxial + 1 Power contact)



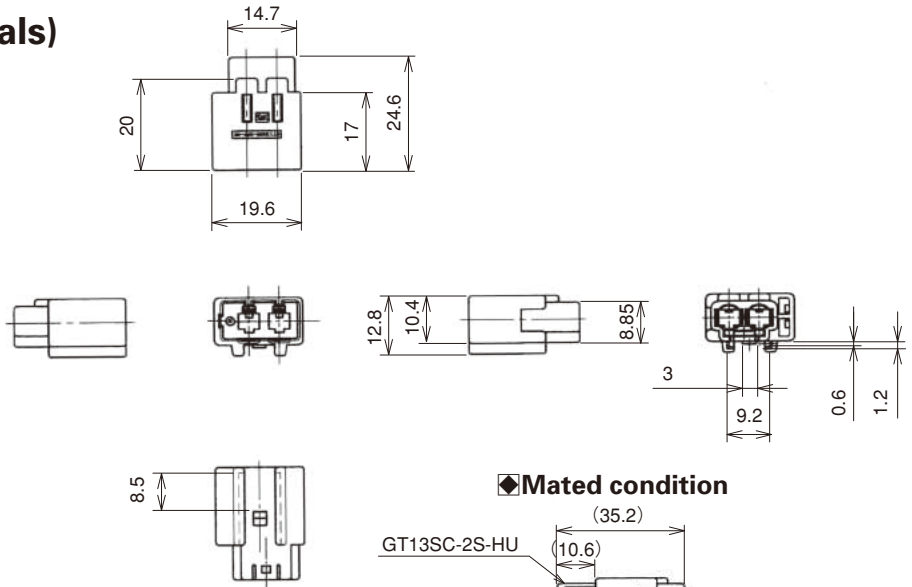
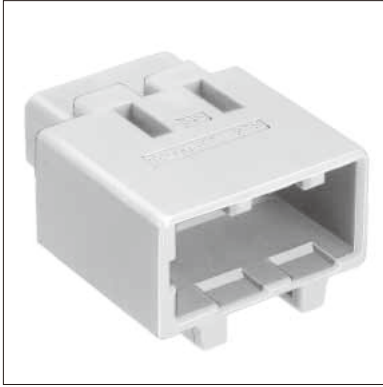
| Part No. | HRS No. | Material | Color | Packaging | RoHS |
|------------------|---------------|----------|------------|-----------|------|
| GT13SSN-1/1PP-HU | 763-0092-9 00 | PBT | Light Gray | 1 | YES |

Note : GT10SC-2022PCF or GT10A-2022PCF is used for power supply terminals.

Jun.1.2018 Copyright 2018 HIROSE ELECTRIC CO., LTD. All Rights Reserved for Antenna

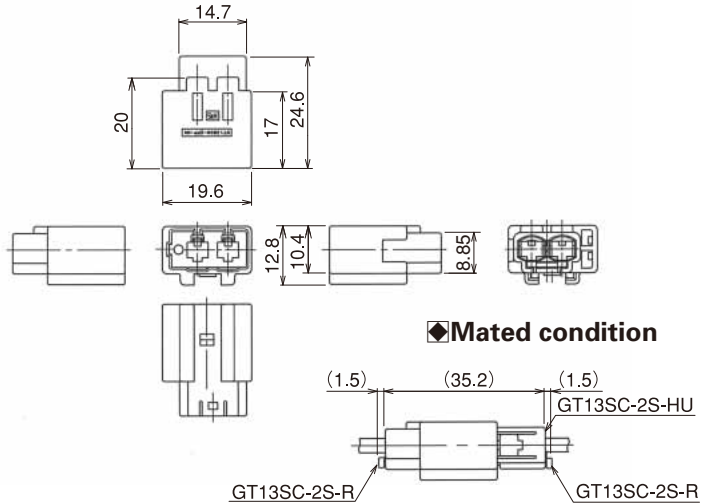
- GT5
- GT13
- GT16
- PO5G
- GT19
- GT21
- GT26
- GT36
- GT11
- GT17
- GT32
- GT3
- GT7
- GT10
- GT18W
- GT25
- GT8E
- GT9
- GT15

■ M Housing (2 coaxials)



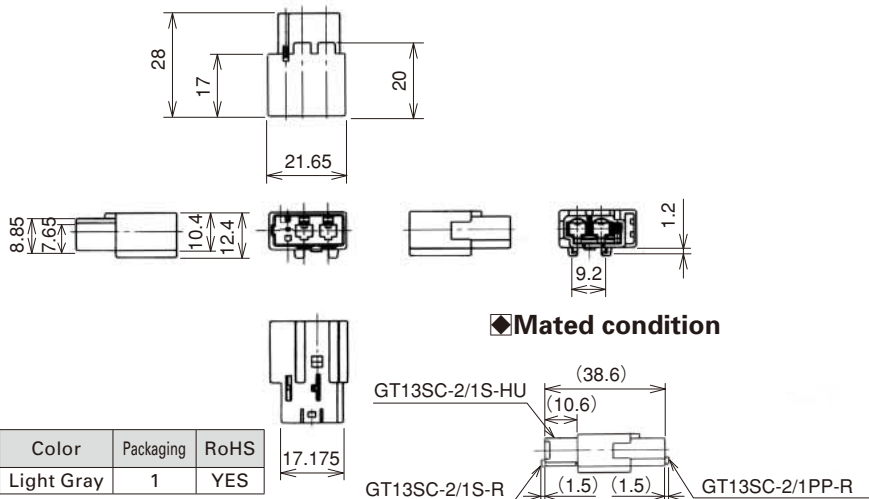
| Part No. | HRS No. | Material | Color | Packaging | RoHS |
|----------------|---------------|----------|------------|-----------|------|
| GT13SCN-2PP-HU | 763-0046-1 00 | PBT | Light Gray | 1 | YES |

■ M Housing (2 coaxials)



| Part No. | HRS No. | Material | Color | Packaging | RoHS |
|----------------|---------------|----------|------------|-----------|------|
| GT13SCH-2PP-HU | 763-0072-1 00 | PBT | Light Gray | 1 | YES |

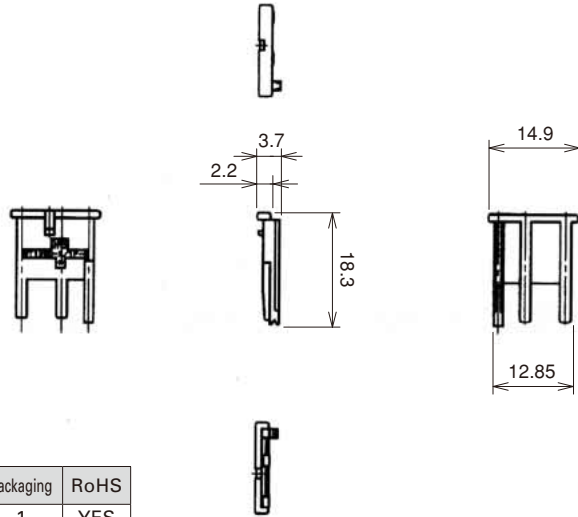
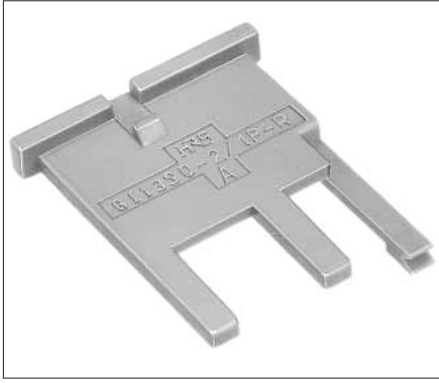
■ M Housing (2 Coaxials + 1 Power contact)



| Part No. | HRS No. | Material | Color | Packaging | RoHS |
|------------------|---------------|----------|------------|-----------|------|
| GT13SCN-2/1PP-HU | 763-0038-3 00 | PBT | Light Gray | 1 | YES |

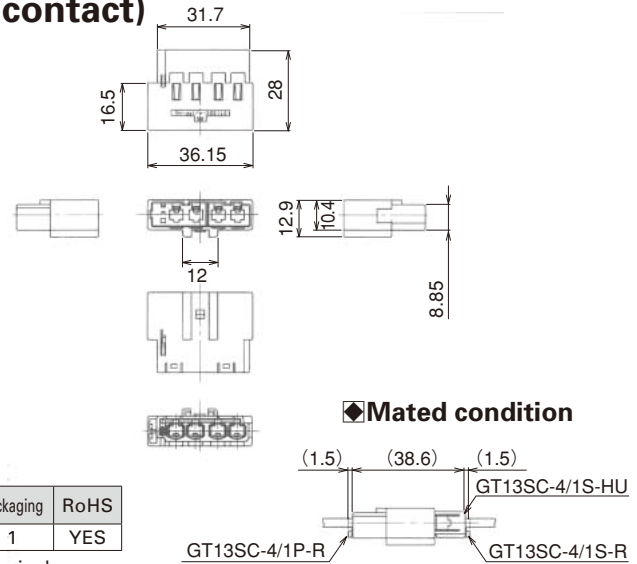
Note : GT10SC-2022PCF or GT10A-2022PCF is used for power supply terminals.

● Retainer (Only for GT13SCN-2/1PP-HU)



| Part No. | HRS No. | Material | Color | Packaging | RoHS |
|----------------|---------------|----------|-----------|-----------|------|
| GT13SC-2/1PP-R | 763-0040-5 00 | PBT | Dark Gray | 1 | YES |

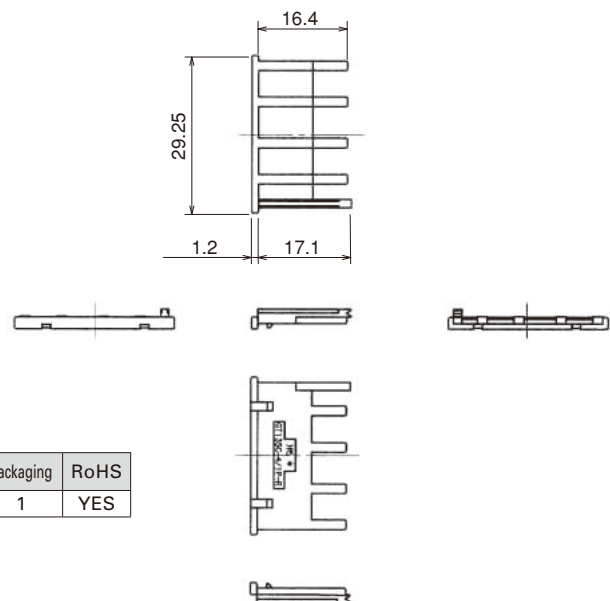
■ M Housing (4 Coaxials + 1 Power contact)



| Part No. | HRS No. | Material | Color | Packaging | RoHS |
|------------------|---------------|----------|------------|-----------|------|
| GT13SCH-4/1PP-HU | 763-0060-2 00 | PBT | Light Gray | 1 | YES |

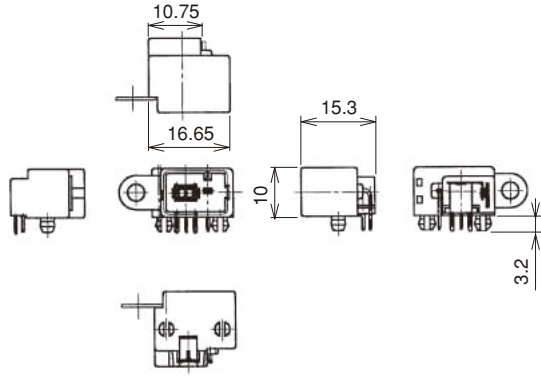
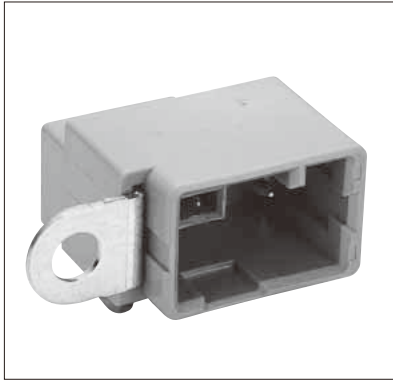
Note : GT10SC-2022PCF or GT10A-2022PCF is used for power supply terminals.

● Retainer

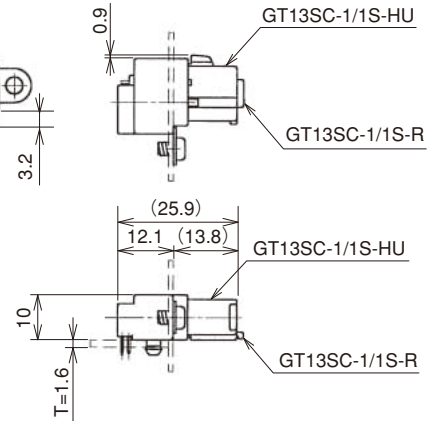


| Part No. | HRS No. | Material | Color | Packaging | RoHS |
|---------------|---------------|----------|-----------|-----------|------|
| GT13SC-4/1P-R | 763-0061-5 00 | PBT | Dark Gray | 1 | YES |

Printed Circuit Board Type (1 Coaxial +1 Power contact)

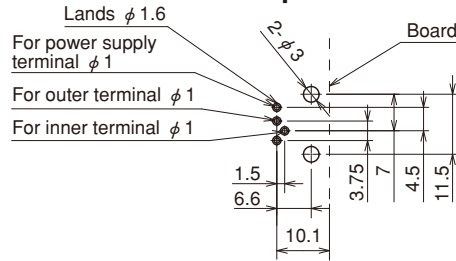


◆ Mated condition

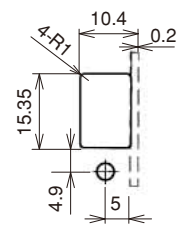


| Part No. | HRS No. | Material/Plating or Color | Packaging | RoHS |
|---------------------|---------------|---|-----------|------|
| GT13SC-1/1PP-DS(70) | 763-0009-5 70 | Housing: PBT/Light Gray Center terminal: Copper alloy/Tin plating Outer terminal: Copper alloy/Tin plating Power terminal: Copper alloy/Tin plating Metal bracket: Copper alloy/Tin plating | 1 | YES |

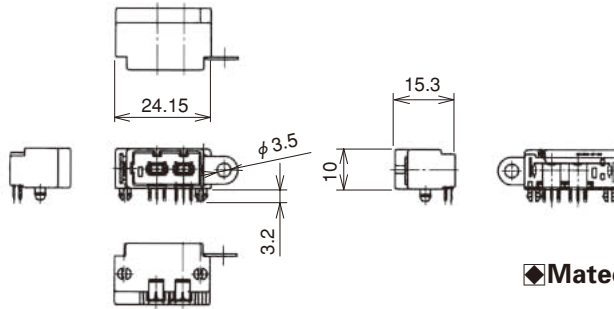
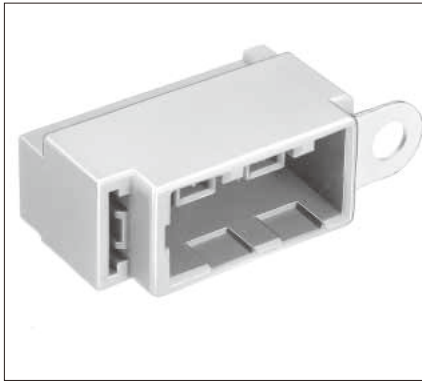
◆ Recommended PCB pattern



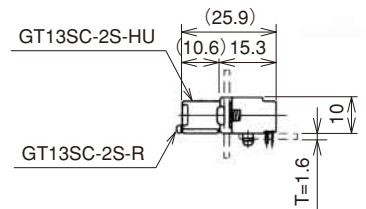
◆ Recommended panel cutout dimension



Printed Circuit Board Type (2 Coaxials)

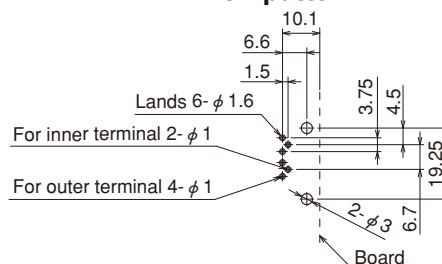


◆ Mated condition

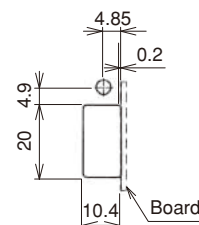


| Part No. | HRS No. | Material | Color | Key polarizing code | Packaging | RoHS |
|---------------|------------|--|------------|---------------------|-----------|------|
| GT13SC-2PP-DS | 763-0013-2 | Housing: PBT Center terminal: Copper alloy/Tin plating Outer terminal: Copper alloy/Tin plating Metal bracket: Copper alloy/Tin plating | Light Gray | Standard | 1 | YES |

◆ Recommended PCB pattern



◆ Recommended panel cutout dimension

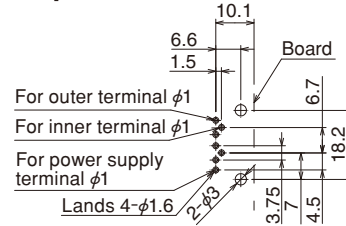


- GT5
- GT13
- GT16
- PO5G
- GT19
- GT21
- GT26
- GT36
- GT11
- GT17
- GT32
- GT3
- GT7
- GT10
- GT18W
- GT25
- GT8E
- GT9
- GT15

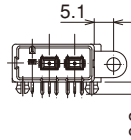
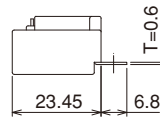
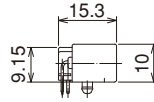
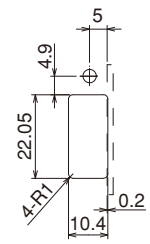
Printed Circuit Board Type (2 Coaxials + 1 Power contact)



Recommended PCB pattern

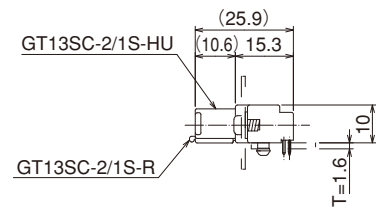


Recommended panel cutout dimension

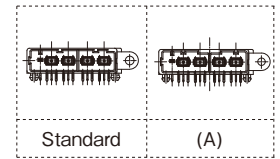
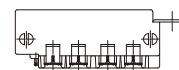
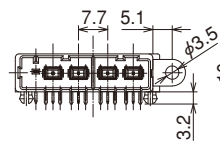
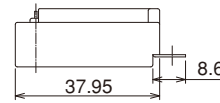
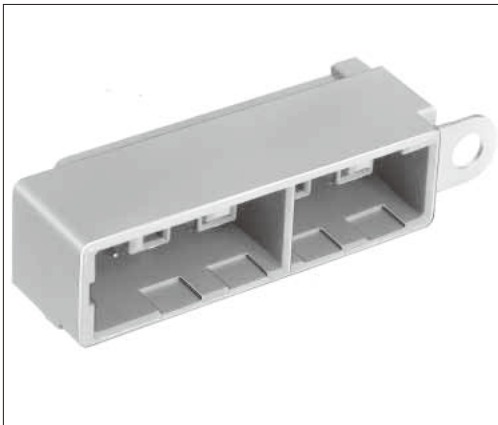


| Part No. | HRS No. | Material/Plating or Color | Packaging | RoHS |
|---------------------|---------------|--|-----------|------|
| GT13SC-2/1PP-DS(70) | 763-0018-6 70 | Housing : PBT/Light Gray Center terminal : Copper alloy/Tin plating Outer terminal : Copper alloy/Tin plating Power terminal : Copper alloy/Tin plating Metal bracket : Copper alloy/Tin plating | 1 | YES |

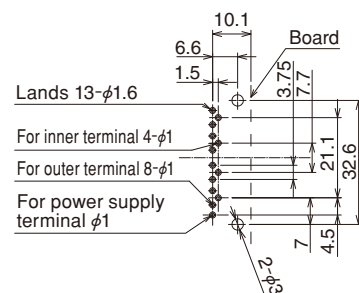
Mated condition



Printed Circuit Board Type (4 Coaxials + 1 Power contact)

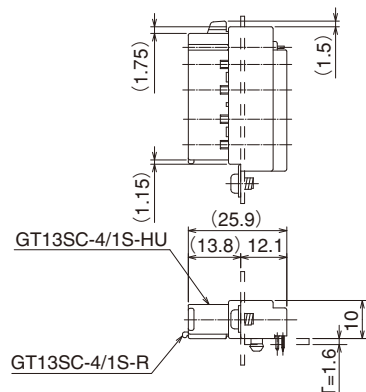


Recommended PCB pattern

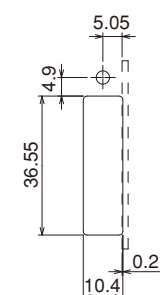


| Part No. | HRS No. | Material | Color | Key polarizing code | Packaging | RoHS |
|------------------------|---------------|---|------------|---------------------|-----------|------|
| GT13SC-4/1PP-DS(70) | 763-0019-9 70 | Housing : PBT Center terminal : Copper alloy/Tin plating Outer terminal : Copper alloy/Tin plating Power terminal : Copper alloy/Tin plating Metal bracket : Copper alloy/Tin plating | Light Gray | Standard | 1 | YES |
| GT13SC-4/1PP-DS(A)(70) | 763-0020-8 70 | | Brown | (A) | | |

Mated condition



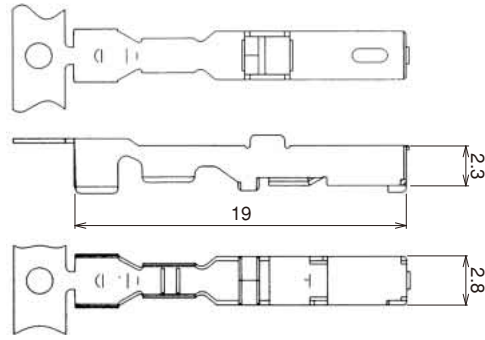
Recommended panel cutout dimension



GT13SH Series

Power Supply Terminals

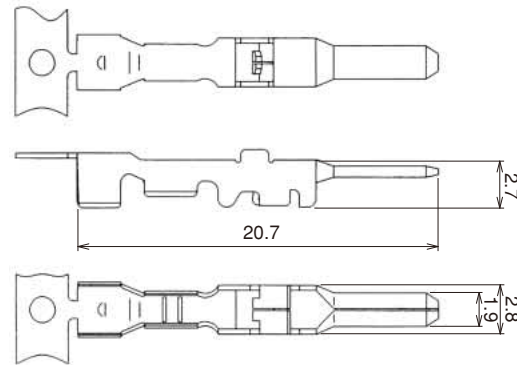
F Connector Terminals



| Part No. | HRS No. | Material | Plating | Conductor Size (AWG) | Outer Diameter | Packaging | RoHS |
|------------------|---------------|--------------|-------------|----------------------|----------------|----------------|------|
| GT7-2022SCF(70) | 757-0001-1 70 | Copper alloy | Tin plating | 20 to 22 AWG | φ1.4 to 2.4 | 5,000 pcs/reel | YES |
| GT7A-2022SCF(70) | 757-0003-7 70 | | | | φ2.6 to 3.1 | 3,000 pcs/reel | |

Note1 : Sold by the reel.(See above table for number of Packaging.)
 Note2 : This component is used only with applicable HRS housings.

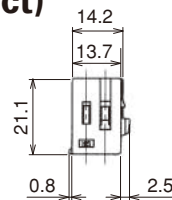
Terminals for M Connector



| Part No. | HRS No. | Material | Plating | Conductor Size (AWG) | Outer Diameter | Packaging | RoHS |
|------------------|---------------|----------|-------------|----------------------|----------------|----------------|------|
| GT7-2022PCF(70) | 757-0002-4 70 | Brass | Tin plating | 20 to 22 AWG | φ1.4 to 2.4 | 5,000 pcs/reel | YES |
| GT7A-2022PCF(70) | 757-0004-0 70 | | | | φ2.6 to 3.1 | 3,000 pcs/reel | |

Note1 : Sold by the reel.(See above table for number of Packaging.)
 Note2 : This component is used only with applicable HRS housings.

F Housing (1 Coaxial + 1 Power contact)



| Part No. | HRS No. | Material | Color | Packaging | RoHS |
|-------------------|---------------|----------|------------|-----------|------|
| GT13SH-1/1S-HU | 763-0048-7 00 | PBT | Light Gray | 1 | YES |
| GT13SH-1/1S-HU(A) | 763-0059-3 00 | | Brown | | |

Note : GT7-2022SCF(70) or GT7A-2022SCF(70) is used for power supply terminals.



Jun.1.2018 Copyright 2018 HIROSE ELECTRIC CO., LTD. All Rights Reserved. or Antenna

GT5

GT13

GT16

PO5G

GT19

GT21

GT26

GT36

GT11

GT17

GT32

GT3

GT7

GT10

GT18W

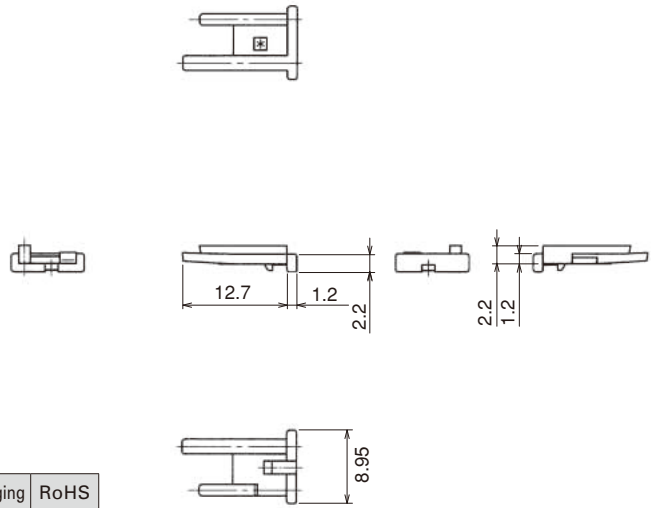
GT25

GT8E

GT9

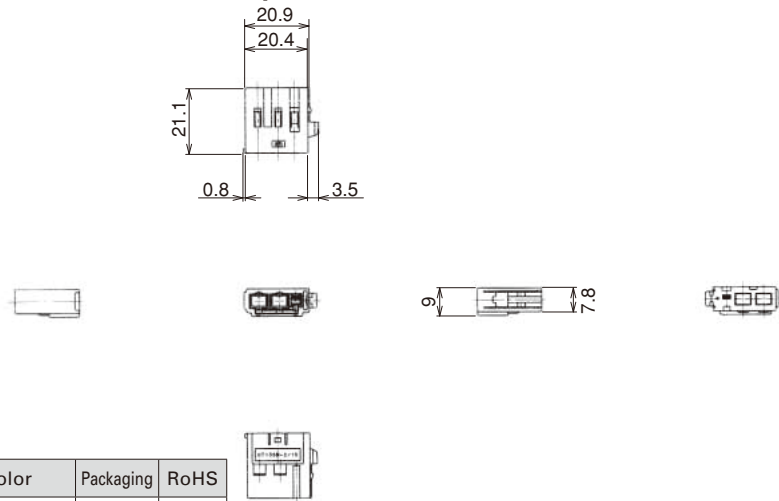
GT15

● Retainer



| Part No. | HRS No. | Material | Color | Packaging | RoHS |
|---------------|---------------|----------|-----------|-----------|------|
| GT13SH-1/1S-R | 763-0049-0 00 | PBT | Dark Gray | 1 | YES |

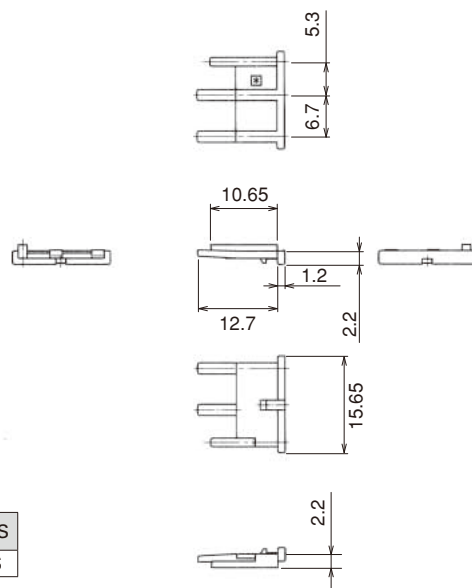
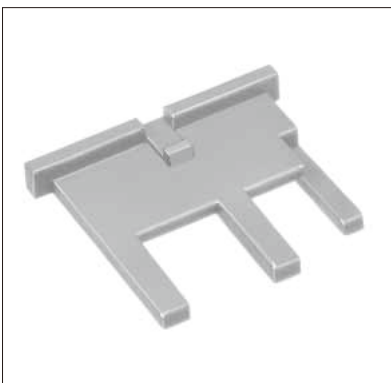
■ F Housing (2 Coaxials + 1 Power contact)



| Part No. | HRS No. | Material | Color | Packaging | RoHS |
|----------------|---------------|----------|------------|-----------|------|
| GT13SH-2/1S-HU | 763-0065-6 00 | PBT | Light Gray | 1 | YES |

Note : GT7-2022SCF(70) or GT7A-2022SCF(70) is used for power supply terminals.

● Retainer



| Part No. | HRS No. | Material | Color | Packaging | RoHS |
|---------------|---------------|----------|-----------|-----------|------|
| GT13SH-2/1S-R | 763-0064-3 00 | PBT | Dark Gray | 1 | YES |

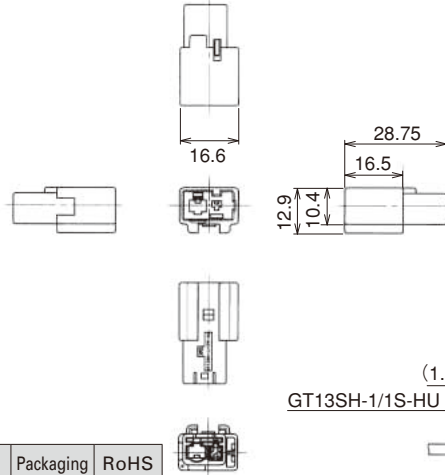
For Antenna

- GT5
- GT13**
- GT16
- PO5G
- GT19
- GT21
- GT26
- GT36
- GT11
- GT17
- GT32
- GT3
- GT7
- GT10
- GT18W
- GT25
- GT8E
- GT9
- GT15

Jun.1.2018 Copyright 2018 HIROSE ELECTRIC CO., LTD. All Rights Reserved. For Antenna

- GT5
- GT13
- GT16
- PO5G
- GT19
- GT21
- GT26
- GT36
- GT11
- GT17
- GT32
- GT3
- GT7
- GT10
- GT18W
- GT25
- GT8E
- GT9
- GT15

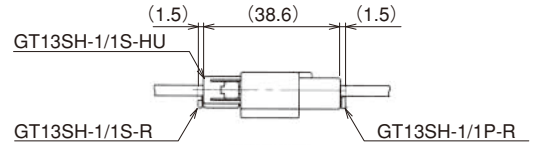
■ M Housing (1 Coaxial + 1 Power contact)



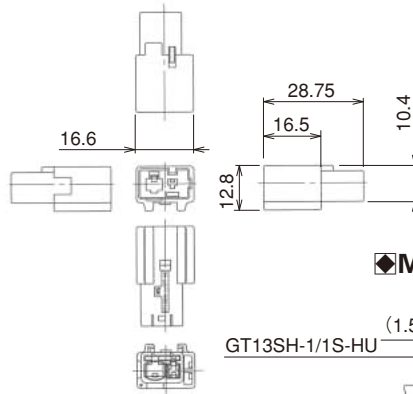
| Part No. | HRS No. | Material | Color | Packaging | RoHS |
|-----------------|---------------|----------|------------|-----------|------|
| GT13SH-1/1PP-HU | 763-0055-2 00 | PBT | Light Gray | 1 | YES |

Note : Power supply terminal is GT7-2022PCF(70) or GT7A-2022PCF(70).

◆ Mated condition



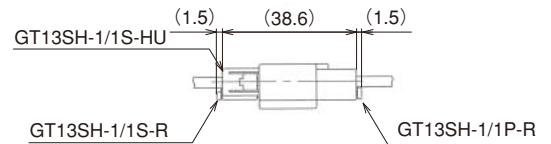
■ M Housing (1 Coaxial + 1 Power contact)



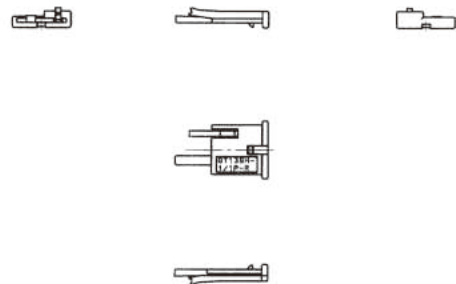
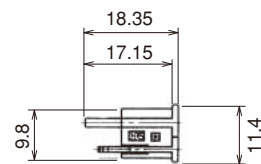
| Part No. | HRS No. | Material | Color | Packaging | RoHS |
|------------------|---------------|----------|------------|-----------|------|
| GT13SHN-1/1PP-HU | 763-0078-8 00 | PBT | Light Gray | 1 | YES |

Note : Power supply terminal is GT7-2022PCF(70) or GT7A-2022PCF(70).

◆ Mated condition



● Retainer

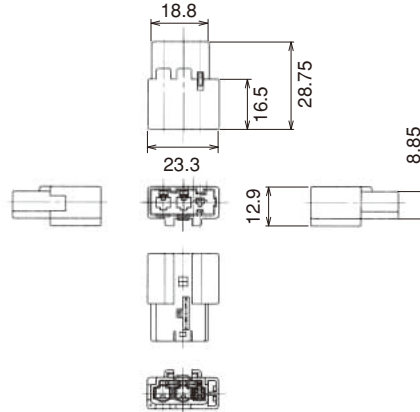


| Part No. | HRS No. | Material | Color | Packaging | RoHS |
|---------------|---------------|----------|-----------|-----------|------|
| GT13SH-1/1P-R | 763-0056-5 00 | PBT | Dark Gray | 1 | YES |

For Antenna

- GT5
- GT13**
- GT16
- PO5G
- GT19
- GT21
- GT26
- GT36
- GT11
- GT17
- GT32
- GT3
- GT7
- GT10
- GT18W
- GT25
- GT8E
- GT9
- GT15

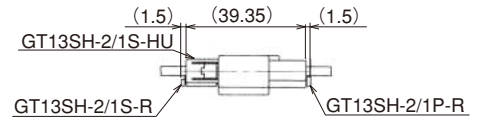
■ M Housing (2 Coaxials + 1 Power contact)



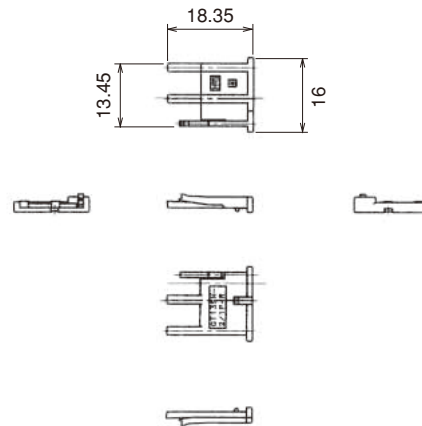
| Part No. | HRS No. | Material | Color | Packaging | RoHS |
|-----------------|---------------|----------|------------|-----------|------|
| GT13SH-2/1PP-HU | 763-0076-2 00 | PBT | Light Gray | 1 | YES |

Note : GT7-2022SCF(70) or GT7A-2022SCF(70) is used for power supply terminals.

◆ Mated condition

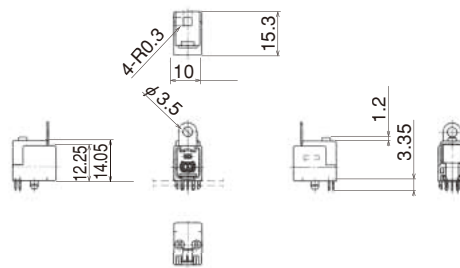


● Retainer

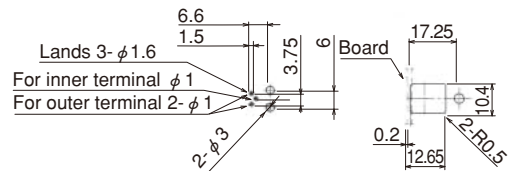


| Part No. | HRS No. | Material | Color | Packaging | RoHS |
|---------------|---------------|----------|-----------|-----------|------|
| GT13SH-2/1P-R | 763-0077-5 00 | PBT | Dark Gray | 1 | YES |

■ Printed Circuit Board Type (1 Coaxial)

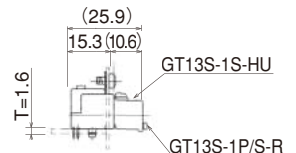


◆ Recommended PCB pattern



◆ Recommended panel cutout dimension

◆ Mated condition



| Part No. | HRS No. | Material / Plating or Color | Packaging | RoHS |
|----------------|---------------|---|-----------|------|
| GT13SHA-1PP-DS | 763-0062-8 00 | Housing : PBT / Light Gray Center terminal : Copper alloy / Tin plating Outer terminal : Copper alloy / Tin plating Metal bracket : Copper alloy / Tin plating | 1 | YES |

Jun.1.2018 Copyright 2018 HIROSE ELECTRIC CO., LTD. All Rights Reserved for Antenna

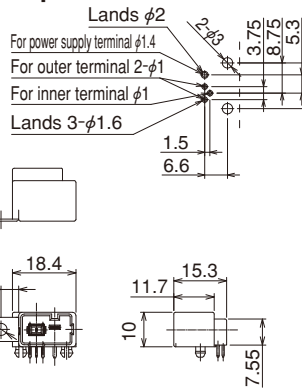
- GT5
- GT13
- GT16
- PO5G
- GT19
- GT21
- GT26
- GT36
- GT11
- GT17
- GT32
- GT3
- GT7
- GT10
- GT18W
- GT25
- GT8E
- GT9
- GT15

Printed Circuit Board Type (1 Coaxial + 1 Power contact)

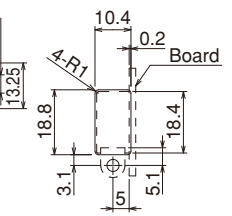


| Part No. | HRS No. | Material/Plating or Color | Packaging | RoHS |
|-----------------|---------------|--|-----------|------|
| GT13SH-1/1PP-DS | 763-0050-9 00 | Housing : PBT/Light Gray Center terminal : Copper alloy/Tin plating Outer terminal : Copper alloy/Tin plating Power terminal : Copper alloy/Tin plating Metal bracket : Copper alloy/Tin plating | 1 | YES |

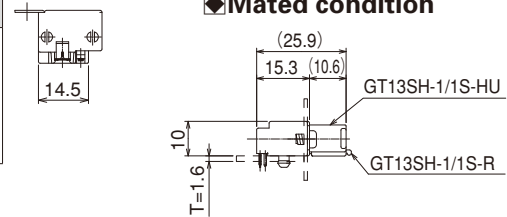
Recommended PCB pattern



Recommended panel cutout dimension



Mated condition

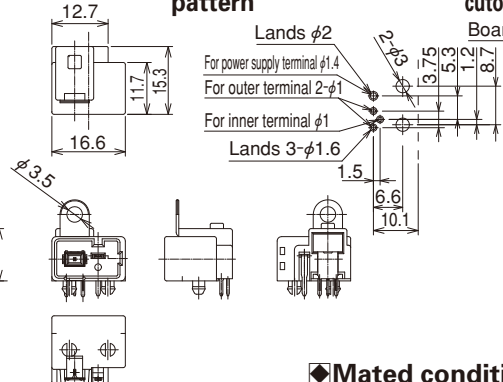


Printed Circuit Board Type (1 Coaxial + 1 Power contact)

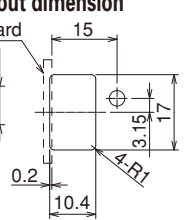


| Part No. | HRS No. | Material/Plating | Color | Packaging | RoHS |
|------------------|---------------|---|------------|-----------|------|
| GT13SHA-1/1PP-DS | 763-0057-8 00 | Housing : PBT Center terminal : Copper alloy/Tin plating Outer terminal : Copper alloy/Tin plating Power terminal : Copper alloy/Tin plating Metal bracket : Copper alloy/Tin plating | Light Gray | 1 | YES |

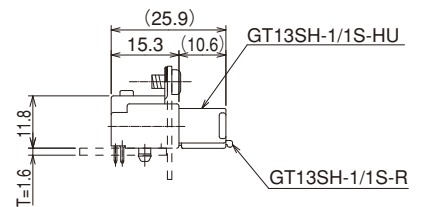
Recommended PCB pattern



Recommended panel cutout dimension



Mated condition

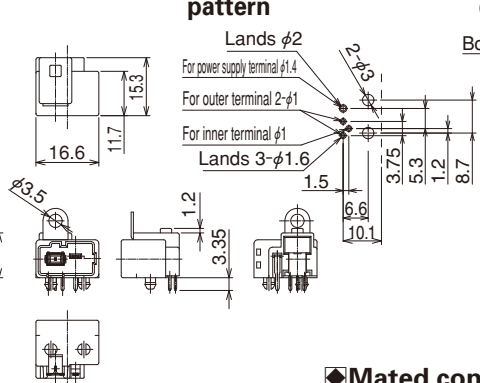


Printed Circuit Board Type (1 Coaxial + 1 Power contact)

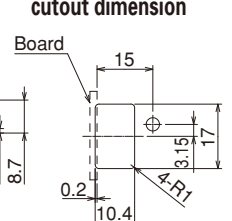


| Part No. | HRS No. | Material/Plating | Color | Packaging | RoHS |
|---------------------|---------------|---|-------|-----------|------|
| GT13SHA-1/1PP-DS(A) | 763-0058-0 00 | Housing : PBT Center terminal : Copper alloy/Tin plating Outer terminal : Copper alloy/Tin plating Power terminal : Copper alloy/Tin plating Metal bracket : Copper alloy/Tin plating | Brown | 1 | YES |

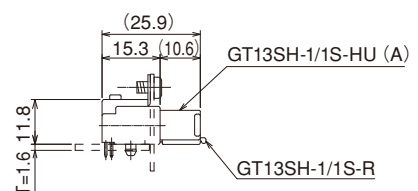
Recommended PCB pattern



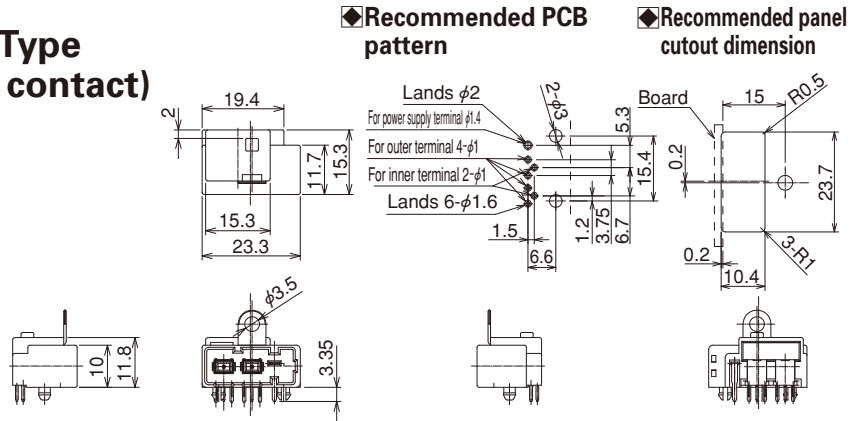
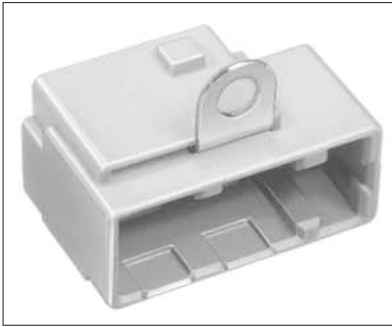
Recommended panel cutout dimension



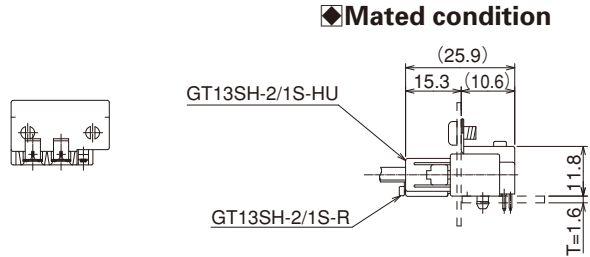
Mated condition



Printed Circuit Board Type (2 Coaxials + 1 Power contact)



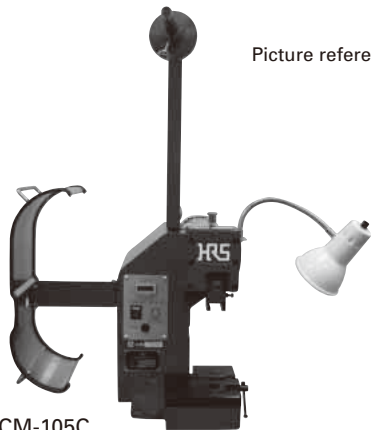
| Part No. | HRS No. | Material / Plating or Color | Packaging | RoHS |
|------------------|------------|--|-----------|------|
| GT13SHA-2/1PP-DS | 763-0063-0 | Housing : PBT / Light Gray Center terminal : Copper alloy / Tin plating Outer terminal : Copper alloy / Tin plating Power terminal : Copper alloy / Tin plating Metal bracket : Copper alloy / Tin plating | 1 | YES |



◆ Crimping tools

User's manuals are available. Please contact a Hirose Electric account representative.

Automatic Crimping Machine



Picture reference only

Part No. CM-105C

Specifications

| Item | Specification | Remarks |
|-------------------|-------------------|---------------|
| Press capacity | 1.5tons | |
| Stroke Length | 30mm | |
| Number of strokes | 200spm (50Hz) | 200spm (60Hz) |
| Weight | 75kg | |
| Motor | 0.2kW | AC 100V |
| Crimping speed | 2000 to 4000pcs/h | |

* Crimp height setting tables are available for each cable type. Please contact your nearest Hirose Electric account representative.

Different cables will require different crimp height settings.

● Special reel stand is required.

● Harness tools

| Terminal Product No. | Terminal HRS No. | Tool No. | Tool HRS No. |
|--------------------------|------------------|---------------------------|--------------|
| GT13-2428/1.6-2.9SCF(70) | 763-0001-3 70 | AP105-GT13-2428/1.6-2.9S | 901-5073-1 |
| GT13-2428/1.6-2.9PCF(70) | 763-0002-6 70 | AP105-GT13-2428/1.6-2.9P | 901-5074-7 |
| GT13-30/1.6-2.9SCF(70) | 763-0012-0 70 | AP105-GT13-30/1.6-2.9S-ID | 901-5099-5 |
| GT13-30/1.6-2.9PCF(70) | 763-0041-8 70 | AP105-GT13-30/1.6-2.9P-ID | 901-5118-8 |
| GT13-30/1.6-2.9SCF(70) | 763-0012-0 70 | AP105-GT13-30/1.6-2.9S | 901-5116-2 |
| GT13-30/1.6-2.9PCF(70) | 763-0041-8 70 | AP105-GT13-30/1.6-2.9P | 901-5119-0 |