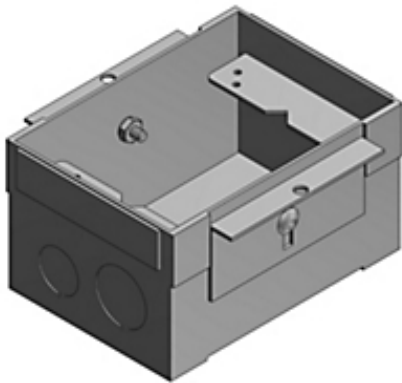




Actual



Representative

Catalog Number: 61W
Product ID: 7TAA003020R0000
UPC Number: 78599161555
Status: Active

Single Gang Floor Box, 31 Cubic Inches, Length 3-11/16 Inches, Width 5-5/16 Inches, Depth 2-13/16 Inches, 1/2 Inch, 3/4 Inch, and 1 Inch Knockouts, Galvanized Steel, For Wood Sub-floors

- Adjustable mounting brackets allow for various finished floor material heights, hardwoods, tile or carpet.
- Voltage dividers are included with multi-gang boxes to accommodate power, voice and data services in the same floor box.
- Full range of metallic and non-metallic cover and flange options.

North American Specifications (UNSPSC)

UNSPSC	39121307 Floor boxes
IGCC	4432 Floor boxes
Brand Name	Steel City
Type	Flush Service
Special Features	3/4 in. and 1 in. knockouts provide application flexibility.
Application	Provide flush service for power, communications and data in wood floors
Standard	UL E2969
Material	Stamped Steel
Cubic Capacity	31 Cubic Inches
Knockouts	6

European Specifications (ETIM)

ETIM	EC000024 Installation box for underfloor-installation
Cover model	Rectangular
Suitable for wet cleaning	N
Suitable for hollow floor	Y
Material	Other
With opening carpeting	N
Min. built-in depth	92.075mm
Colour	Other
Length external dimension	93.6498mm
Width outside dimension	134.9248mm

Packaging

Inner Quantity	1
Inner Dimensions (inches)	5x5x3
Outer Quantity	4
Outer Dimensions (inches)	11x8x6
Weight Uom	226.5 lbs. per 100

Documents / Support Tools

Technical Drawing / Data Sheet	WSD-000515
Technical Drawing / Data Sheet Canada	Available on Website
Instruction Sheet	TA01099-TB2

For further technical assistance, please contact us...

Thomas & Betts - USA
 8155 T&B Blvd.
 Memphis, TN 38125

T&B Technical Support
 MS 3B-50
 8155 T&B Blvd.

Hours: 7AM - 6PM CDT
 Monday-Friday
 Phone: (888) 862-3289

