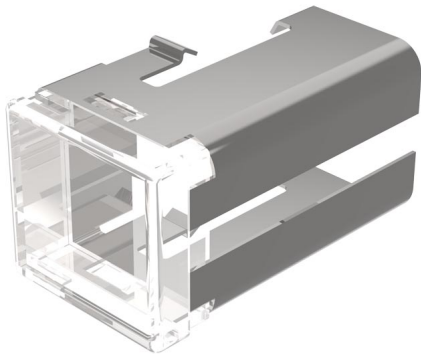


EAO – Your Expert Partner for Human Machine Interfaces

03-921.9 - Lens halved for pushbutton double-headed

03-921.9 - Lens halved for pushbutton double-headed



Attention: The preview is based on a sample product. This can differ from your current configuration.

Mounting

Design flush

Other Attributes

Weight 0,005 kg
Dimension 18 x 19 mm

Operating-/Indication part

Lens optics translucent
Lens material Plastic
Lens colour white ribbed
Lens illumination illuminative
Lens profile flat