

PLEASE CHECK WWW.MOLEX.COM FOR LATEST PART INFORMATION

Part Number: [0432024104](#)
Status: **Active**
Overview: [Modular Jacks and Plugs](#)
Description: [Modular Jack, Right Angle, Low Profile, 4/2](#)

Documents:

[3D Model](#) [Packaging Specification PK-43202-003 \(PDF\)](#)
[Drawing \(PDF\)](#) [RoHS Certificate of Compliance \(PDF\)](#)

Agency Certification

CSA LR19980
 UL E107635

General

Product Family [Modular Jacks/Plugs](#)
 Series [43202](#)
 Comments [Enhanced panel grounding tabs](#)
 Component Type [PCB Jack](#)
 Magnetic [No](#)
 Overview [Modular Jacks and Plugs](#)
 Performance Category [3, 4](#)
 Power over Ethernet (PoE) [N/A](#)
 Product Name [N/A](#)
 UPC [800754236850](#)

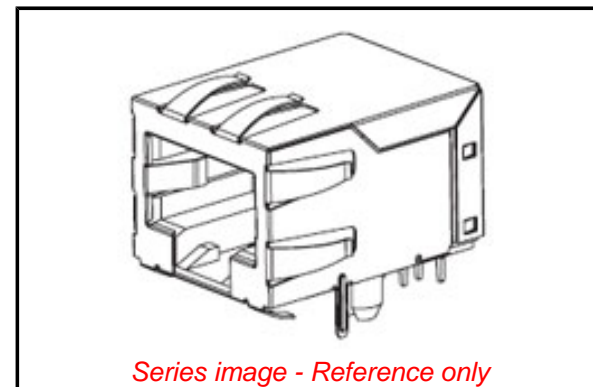
Physical

Color - Resin [Black](#)
 Durability (mating cycles max) [500](#)
 Flammability [94V-0](#)
 Inverted / Top Latch [No](#)
 Jack Height [11.58mm](#)
 Lightpipes/LEDs [None](#)
 Material - Metal [Phosphor Bronze](#)
 Material - Plating Mating [Gold](#)
 Material - Plating Termination [Tin](#)
 Material - Resin [High Temperature Thermoplastic](#)
 Net Weight [1.680/g](#)
 Orientation [Right Angle \(Side Entry\)](#)
 PCB Retention [Yes](#)
 PCB Thickness - Recommended [1.60mm](#)
 Packaging Type [Tray](#)
 Pitch - Mating Interface [1.02mm](#)
 Pitch - Termination Interface [1.27mm](#)
 Plating min - Mating [1.270µm](#)
 Plating min - Termination [2.540µm](#)
 Ports [1](#)
 Positions / Loaded Contacts [4/2](#)
 Surface Mount Compatible (SMC) [Yes](#)
 Temperature Range - Operating [-40°C to +85°C](#)
 Termination Interface: Style [Through Hole](#)
 Wire/Cable Type [N/A](#)

Electrical

Current - Maximum per Contact [1.5A](#)
 Shielded [No](#)
 Voltage - Maximum [125V](#)

Solder Process Data



Series image - Reference only

EU ELV

Not Relevant

EU RoHS

Compliant

REACH SVHC

Not Contained Per -
 ED/21/2016 (20 June
 2016)

Halogen-Free

Status

Not Low-Halogen

**Need more information on product
 environmental compliance?**

Email productcompliance@molex.com
 Please visit the [Contact Us](#) section for any
 non-product compliance questions.

China ROHS

ELV

Green Image

Not Relevant

Search Parts in this Series

[43202 Series](#)

Mates With

[FCC 68 Plugs](#)

Lead-freeProcess Capability

WAVE

Material Info

Old Part Number

A432024104

Reference - Drawing Numbers

Packaging Specification

PK-43202-003

Sales Drawing

SDA-43202

This document was generated on 07/11/2016

PLEASE CHECK WWW.MOLEX.COM FOR LATEST PART INFORMATION