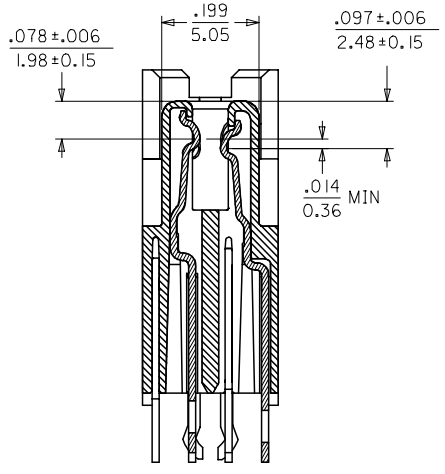
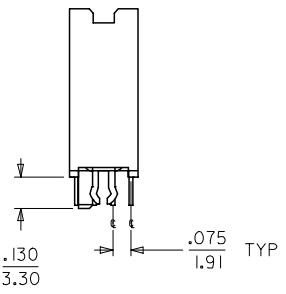
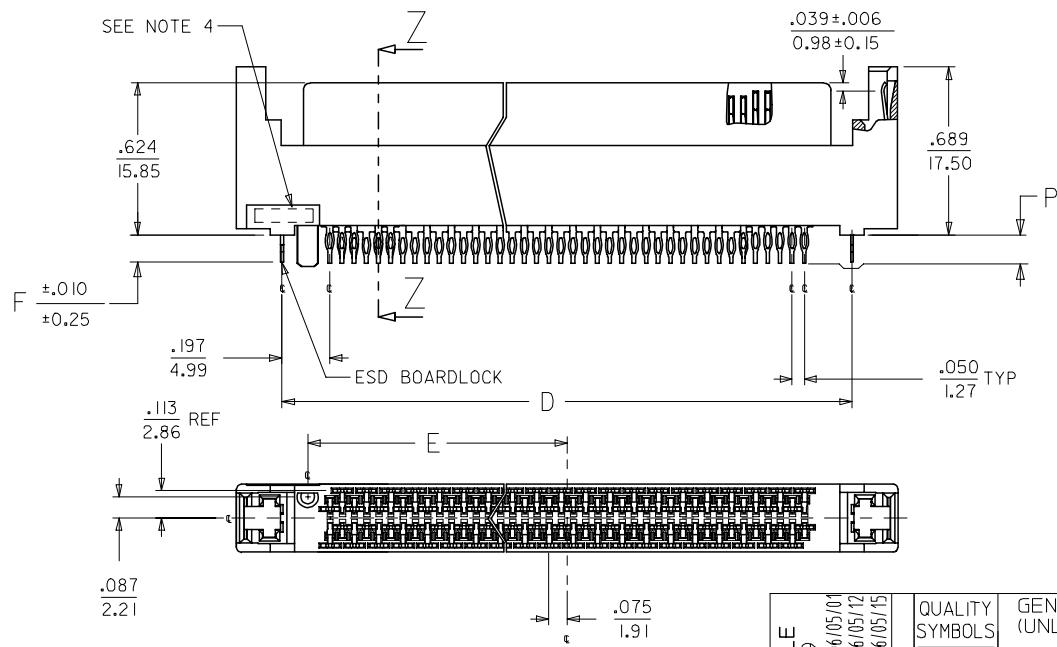
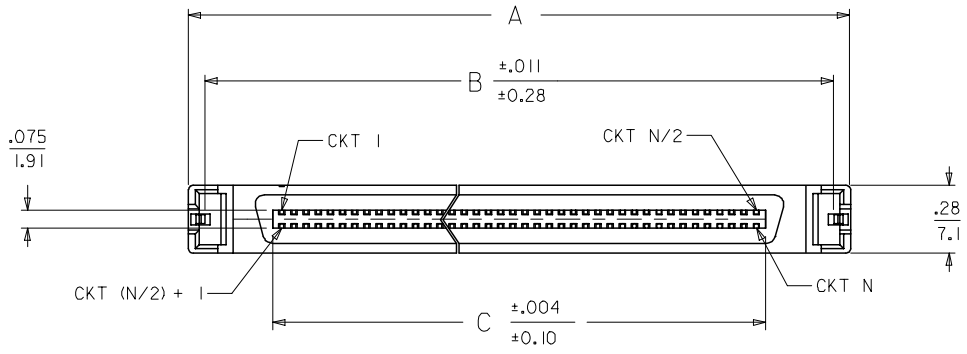


NOTES:

1. MATERIAL:
HOUSING: I.R. COMPATIBLE POLYMER, GLASS FILLED, UL 94 V 0, BLACK
TERMINALS: COPPER ALLOY
BOARDLOCK: COPPER ALLOY
2. FINISH:
TERMINALS: SELECTIVE GOLD IN CONTACT AREA
THICKNESS = 30 MICROINCHES / 0.763 MICROMETERS
SELECTIVE TIN IN TAIL AREA
THICKNESS = 100 MICROINCHES / 2.54 MICROMETERS
NICKEL UNDERPLATE OVERALL.
ESD BOARDLOCK:
TIN OVERALL.
3. PRODUCT SPECIFICATION: PS-73826-0000
4. FOUR DIGIT DATE CODE IN THIS LOCATION (WK YR).
5. CONTACT GAP WILL ACCOMMODATE MATING CONNECTOR OF:
.063+/--.003 (1.60+/- 0.08)



NOTE FOR LEAD FREE CONVERSION:
THE PRIMARY SHIPPING CARTON WILL BE LABELED "COMPLIANT TO RoHS DIRECTIVE 2002/95/EC AND ELV ANNEX II OF DIRECTIVE 2000/53/EC". CARTONS WITHOUT THIS LABEL MAY CONTAIN PRODUCT WITH LEAD.

SECTION Z-Z
SCALE - 4:1

2	B
1	B

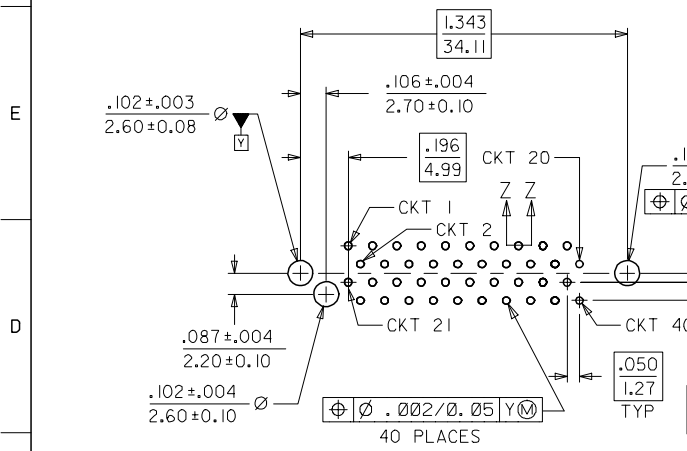
CLARIFY PCB HOLE	QUALITY SYMBOLS
EC NO: UCP2006-2509	$\nabla=0$
DRWN: BARKER 2006/05/01	$\nabla=0$
CHKD: BSMART 2006/05/12	
APPR: SMILLER 2006/05/15	
REV	DESCRIPTION
B	

GENERAL TOLERANCES (UNLESS SPECIFIED)	
mm	INCH
4 PLACES	$\pm .005$
3 PLACES	$\pm .005$
2 PLACES	± 0.13 / $\pm .010$
1 PLACE	± 0.25 / $\pm .---$
ANGULAR $\pm 1/2^\circ$	
DRAFT WHERE APPLICABLE MUST REMAIN WITHIN DIMENSIONS	

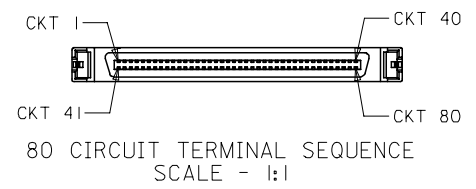
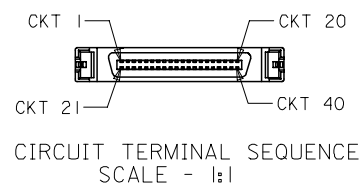
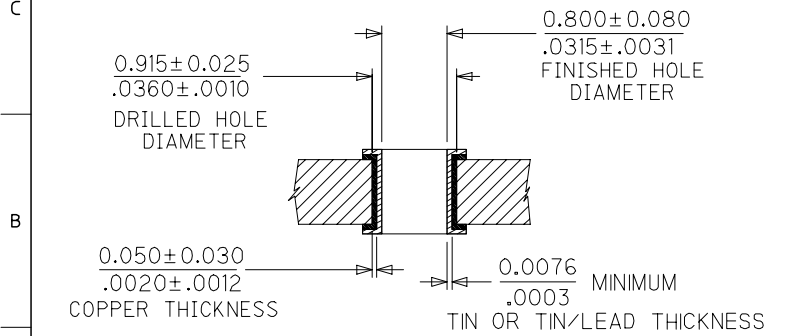
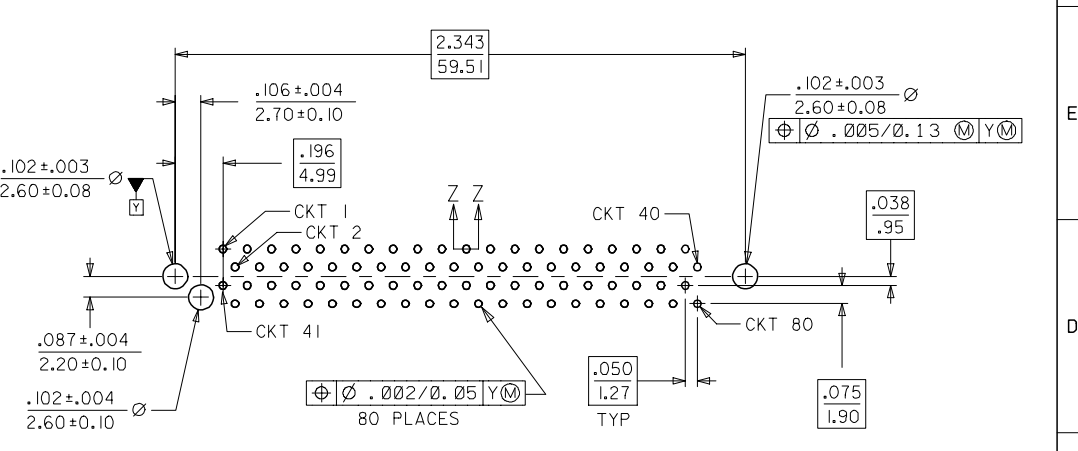
DIMENSION STYLE	
IN/MM	
DRAWN BY	DATE
RKADAMS	8/25/04
CHECKED BY	DATE
BBARKER	8/25/04
APPROVED BY	DATE
SMILLER	8/25/04
MATERIAL NO.	
SEE TABLE	
SIZE	
B	

SCALE	DESIGN UNITS	THIRD ANGLE PROJECTION
2:1		
TITLE		
SALES ASSEMBLY SCA-2 EXTENDED HEIGHT PRESS-FIT RECEPTACLE		
MOLEX INCORPORATED		
DOCUMENT NO.	SHEET NO.	
SD-73829-002	1 OF 2	
THIS DRAWING CONTAINS INFORMATION THAT IS PROPRIETARY TO MOLEX INCORPORATED AND SHOULD NOT BE USED WITHOUT WRITTEN PERMISSION		

MATERIAL NUMBER	CIRCUIT SIZE	DIMENSION A	DIMENSION B	DIMENSION C	DIMENSION D	DIMENSION E	DIMENSION F	DIMENSION P	ADVANCED TERMINALS / CIRCUITS (SECTION Z-Z, SHEET 1)
738295001	80	2.717/(69.0)	2.583/(65.6)	2.025/(51.44)	2.343/(59.5)	1.066/(27.06)	.109/(2.77)	.125/(3.18)	1, 36, 37, 38, 39, 40, 41, 42, 43, 45, 46, 75, 76, 77, 78, 79, 80
738295002	40	1.717/(43.6)	1.583/(40.2)	1.025/(26.04)	1.343/(34.1)	.566/(14.38)	.109/(2.77)	.125/(3.18)	21, 22, 23, 26, 29, 32, 35, 36, 37, 38, 39, 40



RECOMMENDED BOARD THICKNESS = .093



NOTE: SECTION Z-Z - RECOMMENDED PCB HOLE CONFIGURATION

THE DRILLED HOLE SIZE IS BASED ON THE RECOMMENDED PLATINGS AND THICKNESSES. IF OTHER PLATING TYPES AND/OR THICKNESSES ARE USED, A DRILL SIZE THAT WILL RESULT IN THE FINISHED HOLE SIZE INDICATED WILL NEED TO BE USED.

CLARIFY PCB HOLE EC NO: UCP2006-2509 DRWN: BBARKER 2006/05/01 CHKD: BSMART 2006/05/12 APPR: SMILLER 2006/05/15	QUALITY SYMBOLS ▽=0 ▽=0	GENERAL TOLERANCES (UNLESS SPECIFIED)		DIMENSION STYLE	SCALE	DESIGN UNITS	THIRD ANGLE PROJECTION	
		mm	INCH	IN/MM	2:1	⊕		
		4 PLACES ± ---	± ---	DRAWN BY	DATE	TITLE		
		3 PLACES ± ---	± .005	RKADAMS	8/25/04	SALES ASSEMBLY		
2 PLACES ± 0.13	± .010	CHECKED BY	DATE	SCA-2 EXTENDED HEIGHT				
1 PLACE ± 0.25	± ---	BBARKER	8/25/04	PRESS-FIT RECEPTACLE				
ANGULAR ± 1/2°		APPROVED BY	DATE	MOLEX INCORPORATED				
		SMILLER	8/25/04	MATERIAL NO.				
		DRAFT WHERE APPLICABLE MUST REMAIN WITHIN DIMENSIONS		SEE TABLE	DOCUMENT NO.	SHEET NO.		
					SD-73829-002	2 OF 2		
		THIS DRAWING CONTAINS INFORMATION THAT IS PROPRIETARY TO MOLEX INCORPORATED AND SHOULD NOT BE USED WITHOUT WRITTEN PERMISSION						