

# Bryant 50 Amp Locking Devices



## OEM APPLICATIONS



## FEATURES AND BENEFITS

Features	Benefits
Screw-less strain relief	Integral strain relief requires no dis-assembly; Screw-less design eliminates the need for screwdrivers to clamp down on cable jacket
Ratcheting strain relief nut	Resists loosening from cable twist or vibration
Socket head termination screws	Allen wrench tightening allows higher torque to prevent overheating and terminal loosening
Cable compatible layout	Terminal layout corresponds to commercial cable conductor patterns eliminating the need to cross conductors when wiring
Visible terminal markings	Color coded wiring symbols simplify wiring
Stainless steel plug shroud	Resistant to the corrosive effects of outdoor environments
Closed locking key	Provides structural support to the plug shroud preventing damage that would impair mating
Covered inlet version	Integral UL Enclosure Type 3R environmental protection eliminates the need for a supplemental weatherproof cover

**BRYANT**<sup>®</sup>

# Bryant 50 Amp Locking Devices



## Ordering Information

### 50A Locking Devices



Description	Catalog Number	
Connector	<b>CS6364L</b>	<b>CS8364L</b>
Plug	<b>CS6365L</b>	<b>CS8365L</b>
Receptacle	<b>CS6369L</b>	<b>CS8369L</b>
Flanged inlet	<b>CS6375L</b>	<b>CS8375L</b>
Flanged inlet; covered; UL 3R	<b>CS6375LC</b>	<b>CS8375LC</b>

Note: Corrosion resistant devices are available by request. Consult your Bryant representative for more information.

For 30 pc. bulk packs, add M1 to suffix. Ex. **CS6364LM1**.

## Accessories

Description	Catalog Number
50A receptacle cover plate; gray thermoplastic	<b>7774CR</b>
50A inlet cover plate; black thermoplastic*	<b>7780</b>

Note: \* Not CSA Certified.

## Certifications

Listed to UL Standard 498

Certified to CSA Standard C22.2 No. 42

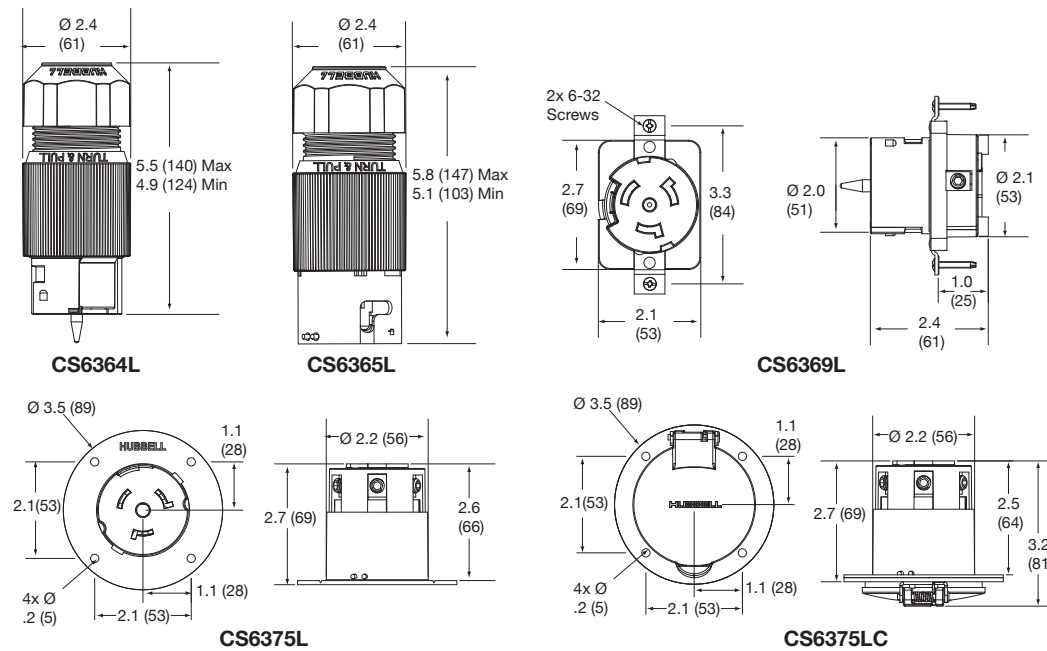
RoHS compliant

## Performance

Terminal Accommodation: Receptacle and Inlet: #10 AWG. - #4 AWG  
Connector and Plug: #8 AWG. - #4 AWG

Cord Grip Range .830" to 1.250" max

## Dimensions inches (mm)



**CS6364L**



**CS6365L**



**CS6369L**



**CS6375L**



**CS6375LC**



**7774CR**



**7780**

**BRYANT**<sup>®</sup>

[www.bryant-electric.com](http://www.bryant-electric.com)



Bryant<sup>®</sup> Electric • Hubbell Incorporated (Delaware) • 40 Waterview Drive • Shelton, CT 06484 • Phone (800) 323-2792 • FAX (800) 543-0538

Printed in U.S.A. Specifications subject to change without notice.

\* is a registered trademarks of Hubbell Incorporated.

BLDSL001 7/11