

DWG. NO. SD-55590-002

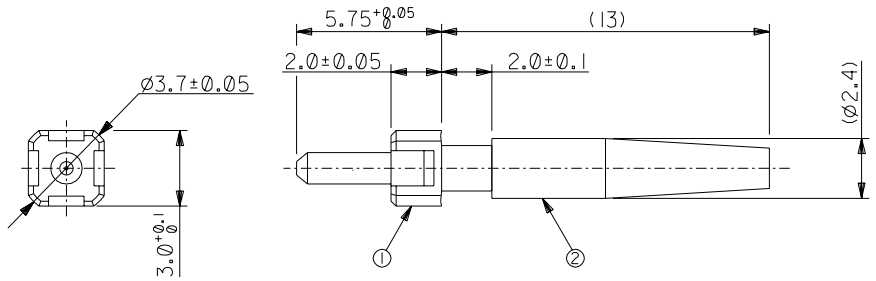
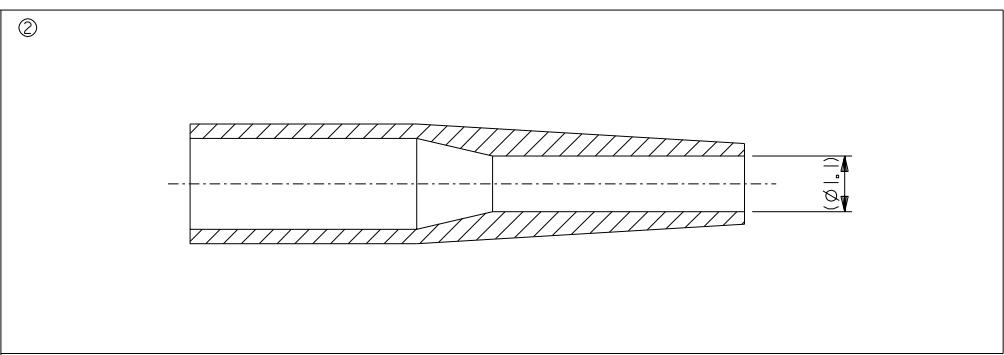
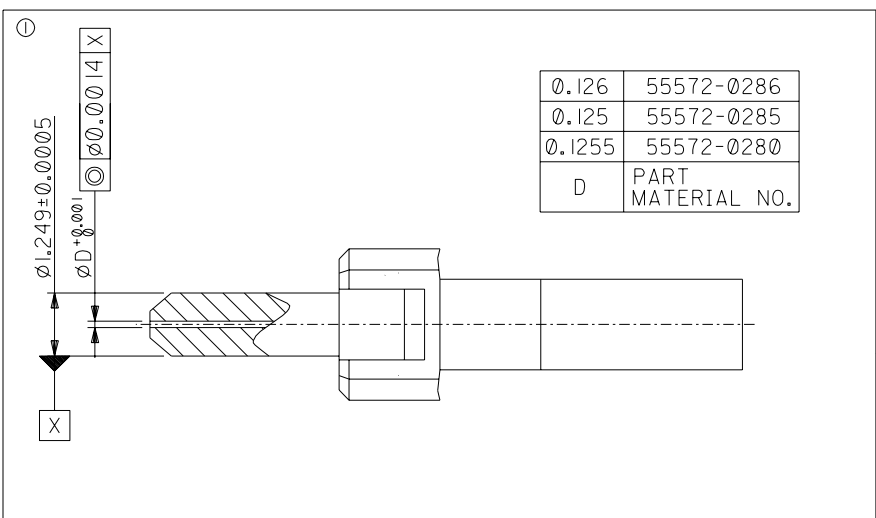


FIG. 1
SCALE : 5-1

4	3	2	1
QT'Y	PART TITLE	PART MATERIAL NO.	MATERIAL NO.
1	MU FERRULE	55572-028*	①
1	MU BOOT	59128-0101	②

注記
NOTE

1. FIG. 1は仮に組み立てたプラグの構成部品の一例を示す。
FIG.1 SHOWS ONE EXAMPLE OF THE COMPOSITION PARTS OF THE ASSEMBLED PLUG.



55572-0286	55590-0286
55572-0285	55590-0285
55572-0280	55590-0280
①	MATERIAL NO.

MODEL NO. : 55590-028*

DO NOT SCALE DRAWING

EC NO.	REVISED	REVISED	REVISED	MATERIAL	GENERAL TOLERANCES:	SCALE	DESIGN UNITS	THIRD ANGLE	TITLE:	DIMENSIONS:	SHT	REV
DRWN: CH'K: APPR:	'02/11/13	'01/10/10	'01/02/05	材料	(UNLESS SPECIFIED)	10-1	mm INCH	PROJECTION	SIMPLE MU PLUG KIT	mm INCH		
DRWN: CH'K: APPR:	EC NO. J2002-1358	EC NO. J2002-0863	EC NO. JD2001-1041	仕上り	10 UNDER	10	mm			DRAWN BY & DATE	mm ONLY	
DRWN: CH'K: APPR:	EC NO. J2002-1358	EC NO. J2002-0863	EC NO. JD2001-1041	適用線被範囲	10 OVER 30 UNDER	30	mm		CHECKED BY & DATE	mm ONLY		
DRWN: CH'K: APPR:	EC NO. J2002-1358	EC NO. J2002-0863	EC NO. JD2001-1041	適用線被範囲	30 OVER	30	mm		APPROVED BY & DATE	mm ONLY		
DRWN: CH'K: APPR:	EC NO. J2002-1358	EC NO. J2002-0863	EC NO. JD2001-1041	適用線被範囲	ANGLE	30	mm		MATERIAL NO.	mm ONLY		
DRWN: CH'K: APPR:	EC NO. J2002-1358	EC NO. J2002-0863	EC NO. JD2001-1041	適用線被範囲	ANGLE	30	mm		DRAWING NO.	mm ONLY		
DRWN: CH'K: APPR:	EC NO. J2002-1358	EC NO. J2002-0863	EC NO. JD2001-1041	適用線被範囲	ANGLE	30	mm		SHEET NO.	mm ONLY		
DRWN: CH'K: APPR:	EC NO. J2002-1358	EC NO. J2002-0863	EC NO. JD2001-1041	適用線被範囲	ANGLE	30	mm		THIS DRAWING CONTAINS INFORMATION THAT IS PROPRIETARY TO MOLEX INCORPORATED AND SHOULD NOT BE USED WITHOUT WRITTEN PERMISSION.	mm ONLY		
DRWN: CH'K: APPR:	EC NO. J2002-1358	EC NO. J2002-0863	EC NO. JD2001-1041	適用線被範囲	ANGLE	30	mm		SIZE	mm ONLY		
DRWN: CH'K: APPR:	EC NO. J2002-1358	EC NO. J2002-0863	EC NO. JD2001-1041	適用線被範囲	ANGLE	30	mm		B	mm ONLY		