

**PLEASE CHECK WWW.MOLEX.COM FOR LATEST PART INFORMATION**

**Part Number:** **0571476000**  
**Status:** **Active**  
**Overview:** Application Tooling  
**Description:** Sealing Cap Attachment Tool

**Documents:**

Tooling Specification (PDF)                      Tooling Manual (PDF)  
Tooling Specification (PDF)                      RoHS Certificate of Compliance (PDF)

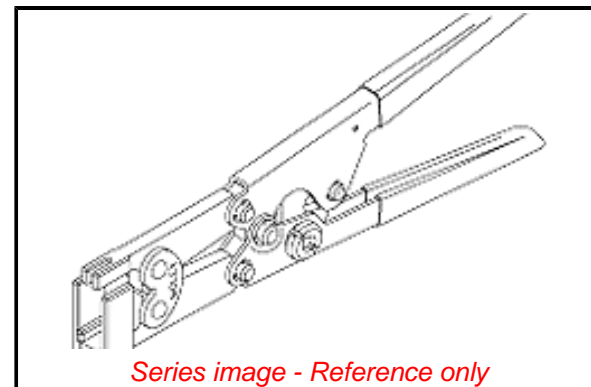
**General**

|                                |   |
|--------------------------------|---|
| Product Family                 | Application Tooling   |
| Series                         | 57147   |
| Comments                       | Cap Push On Hand Tool   |
| Function                       | Sealing   |
| Geographic Area                | Japan   |
| Level of Automation            | Manual  |
| More Detailed Tech Information | <a href="mailto:applicationtooling@molex.com">applicationtooling@molex.com</a>  |
| Overview                       | <u>Application Tooling</u>  |
| Product Name                   | N/A   |
| Tool Type                      | Insertion Hand Tool   |
| UPC                            | 800753454101  |
| Warranty Disclaimer            | CAUTION: Molex tooling crimp specifications are valid only when used with Molex terminals and tooling manufactured by Molex and sold by Molex or authorized distributors ("Molex Tooling"). When using tooling other than Molex Tooling with Molex specific connector systems listed in our ATS documents, the Molex tooling qualification does not apply and the responsibility for full qualification of the connector system is that of the customer. Molex accepts no liability for connector performance or tooling support where tooling other than Molex Tooling is used or where Molex Tooling is modified. |

**Material Info**

**Reference - Drawing Numbers**  
Application Tooling Documents

426\_57147-6000, 692\_57147-6000, ATP-57147-6000E, ATP-57147-6000JE, IS-0048E, IS-0048JE



*Series image - Reference only*

**EU ELV**

**Not Reviewed**

**EU RoHS**

**Not Reviewed**

**REACH SVHC**

Not Reviewed

**Halogen-Free**

**Status**

**Not Reviewed**

**Need more information on product environmental compliance?**

Email [productcompliance@molex.com](mailto:productcompliance@molex.com)  
Please visit the [Contact Us](#) section for any non-product compliance questions.

|                 |              |
|-----------------|--------------|
| China ROHS      | Not Reviewed |
| ELV             | Not Reviewed |
| RoHS Phthalates | Not Reviewed |

**Search Parts in this Series**

57147 Series

**PLEASE CHECK WWW.MOLEX.COM FOR LATEST PART INFORMATION**