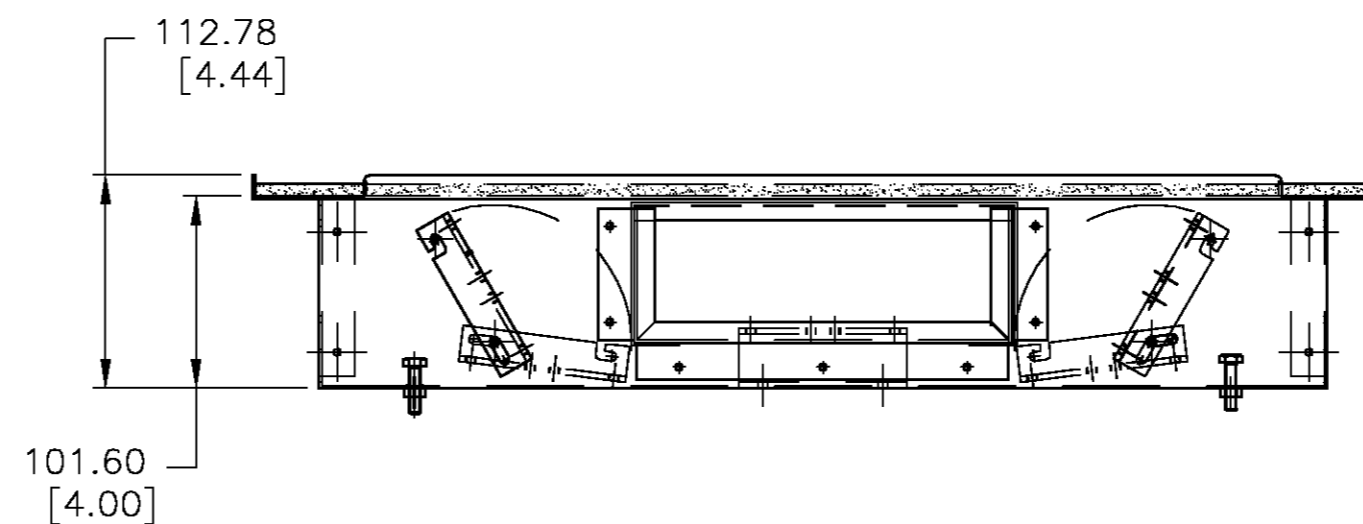
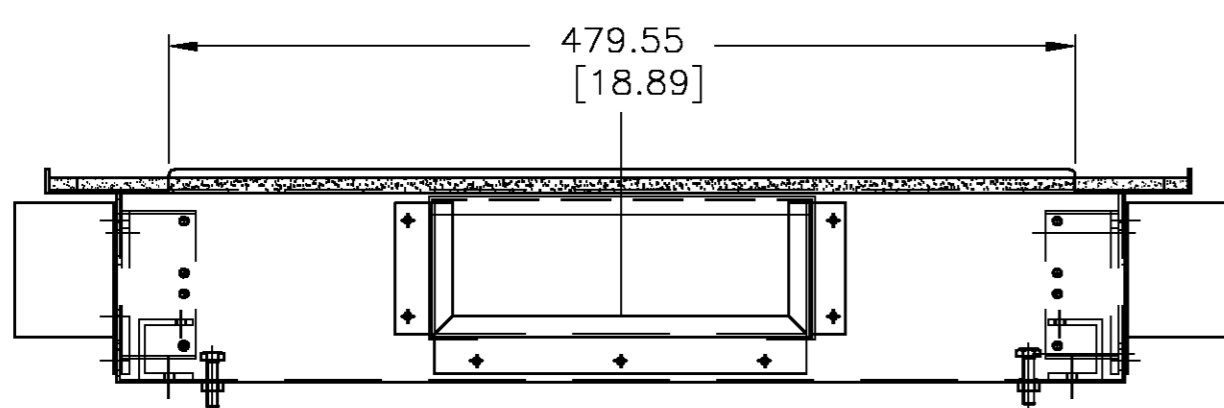
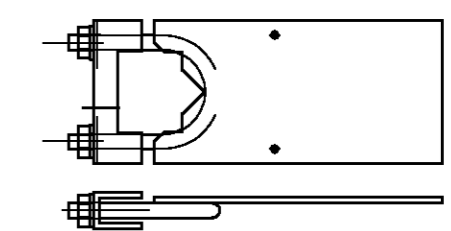
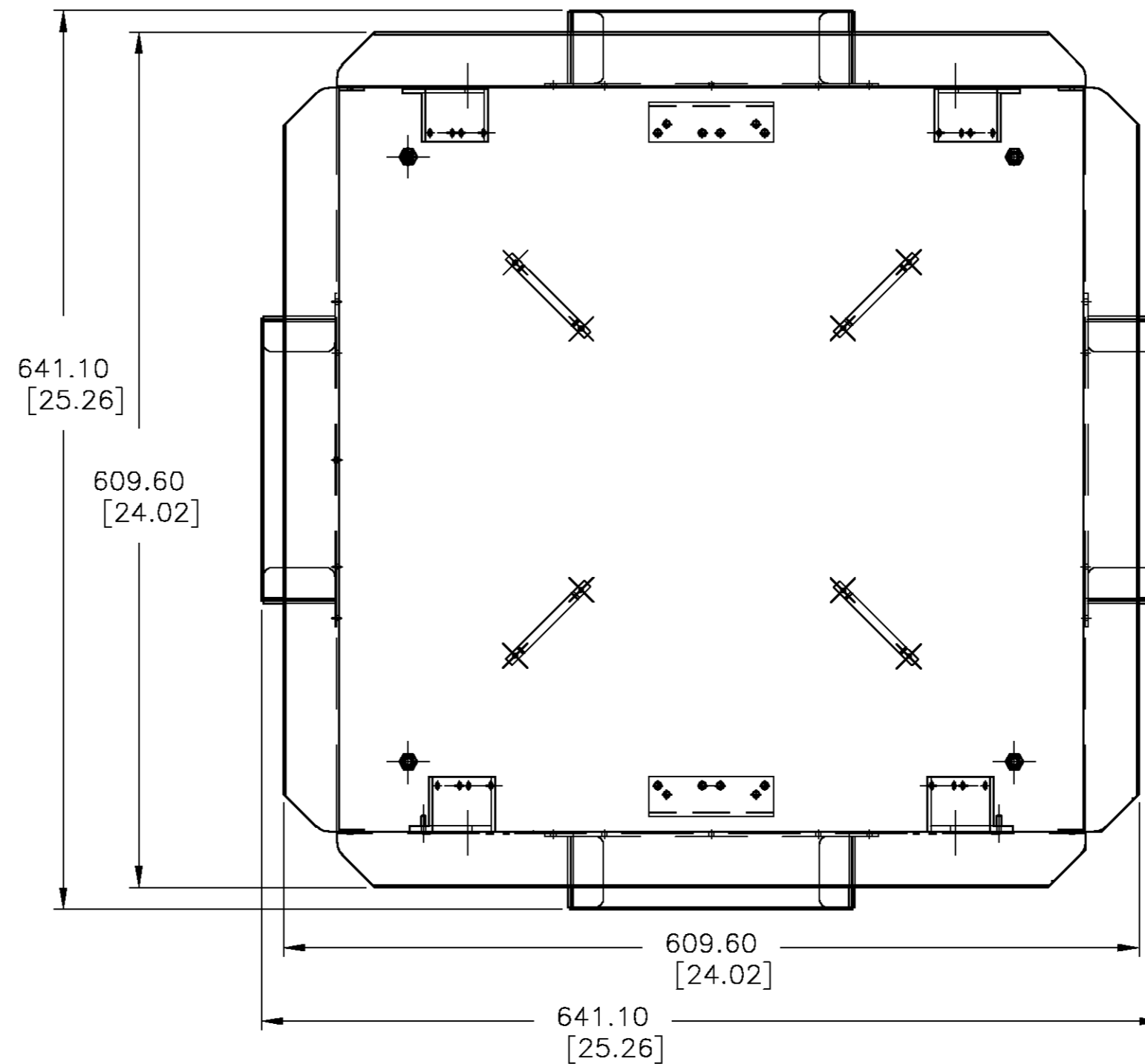


THIS DRAWING IS UNPUBLISHED. RELEASED FOR PUBLICATION
 © COPYRIGHT BY TYCO ELECTRONICS CORPORATION. ALL RIGHTS RESERVED.

LOC	DIST	REVISIONS			
P	LTR	DESCRIPTION	DATE	DWN	APVD
HM	00	C	REC-EC 0B40-0289-03	25NOV03	LH SH

- 1 MATERIAL: .06 ALUMINUM, FINISH: MILL
- 2. PACKAGE 1 PER BOX.



1479042-1
PART NO.

THIS DRAWING IS A CONTROLLED DOCUMENT.		DWN	28JUN01	 Tyco Electronics Corporation Harrisburg, PA 17105
DIMENSIONS: MM [INCHES]		CHK	29JUN01	
TOLERANCES UNLESS OTHERWISE SPECIFIED:		APVD	29JUN01	
0 PLC ± 1 PLC ± 2 PLC ± .03 3 PLC ± .010 4 PLC ± ANGLES ± FINISH		NAME	S. HERNDON	
MATERIAL	1	PRODUCT SPEC	4 INCH RF BOX FOR 6 INCH RAISED FLOORS	RESTRICTED TO
CUSTOMER DRAWING		APPLICATION SPEC	---	SCALE
SCALE		SIZE	A2	CAGE CODE
SCALE		WEIGHT	---	00779
SCALE		DRAWING NO	C=1479042	RESTRICTED TO
SCALE		SHEET	1	OF
SCALE		REV	1	C