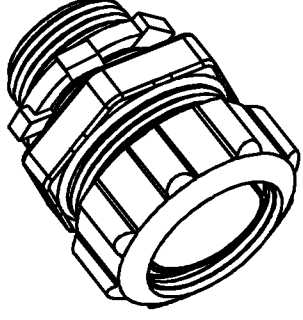
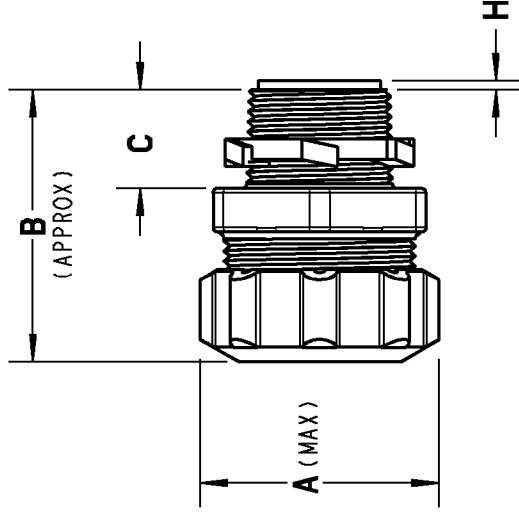


# T&B Liquidtight Fittings



## NOTES:

1. CONFORMS WITH J.I.C. REQUIREMENTS WITH DOUBLE BEVEL SEALING RING TO 2", WITH SAFE EDGE® STEEL GROUND CONE TO 4".
2. ALL MALE HUBS ARE NPT THREADS.
3. MAXIMUM APPLICATION TEMPERATURE 150°C (302°F).
4. MATERIALS: BODY, GLAND NUT- STEEL OR MALLEABLE IRON  
LOCKNUT- STEEL OR MALLEABLE IRON  
GROUND CONE- STEEL  
INSULATOR, SEALING RING- NYLON (UL94-V2)
5. FINISH: ZINC PLATE

CATALOG NUMBER	CONDUIT SIZE	A (MAXIMUM)	B (APPROXIMATE)	C	H
5331-HT	3/8"	1.156 [29.36]	1.500 [38.1]	.562 [14.27]	.078 [1.98]
5332-HT	1/2"	1.375 [34.93]	1.562 [39.67]	.562 [14.27]	.078 [1.98]
5333-HT	3/4"	1.656 [42.06]	1.625 [41.28]	.625 [15.88]	.062 [1.57]
5334-HT	1"	1.875 [47.63]	2.375 [60.33]	.844 [21.44]	.062 [1.57]
5335-HT	1-1/4"	2.375 [60.33]	2.500 [63.5]	.812 [20.62]	.109 [2.77]
5336-HT	1-1/2"	2.750 [69.85]	2.688 [68.28]	.812 [20.62]	.125 [3.18]
5337-HT	2"	3.468 [88.09]	3.062 [77.77]	.812 [20.62]	.125 [3.18]
5338-HT	2-1/2"	4.094 [103.99]	4.125 [104.78]	1.000 [25.4]	.125 [3.18]
5339-HT	3"	4.750 [120.65]	4.250 [107.95]	1.375 [34.93]	.125 [3.18]
5340-HT	4"	6.000 [152.4]	4.500 [114.3]	1.125 [28.58]	.125 [3.18]

## GENERAL NOTES

1. ALL DIMENSIONS ARE FOR REFERENCE ONLY.
2. DIMENSIONS IN BRACKETS [ ] ARE IN METRIC UNITS.

## REVISIONS

1 SEE ERN 2003643 FOR APPROVAL SIGNATURES & RELEASE DATE.  
PROJECT NO: RD55455

**Thomas & Betts**  
www.tnb.com

DESCRIPTION: **HIGH TEMPERATURE LIQUIDTIGHT FLEXIBLE METAL CONDUIT FITTINGS - STRAIGHT**

ORIGINAL PROJECT NO / ( ERN NO ) SHEET NO:

RD55455 / ( 2002589 )

1 OF 1

REV. NO:

1

DRAWING NO:

WSD-000016